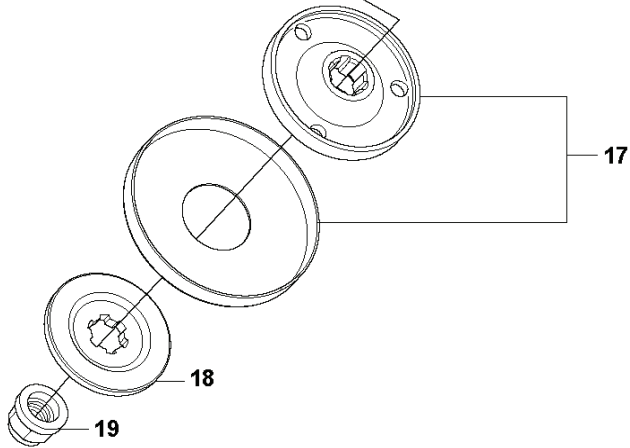
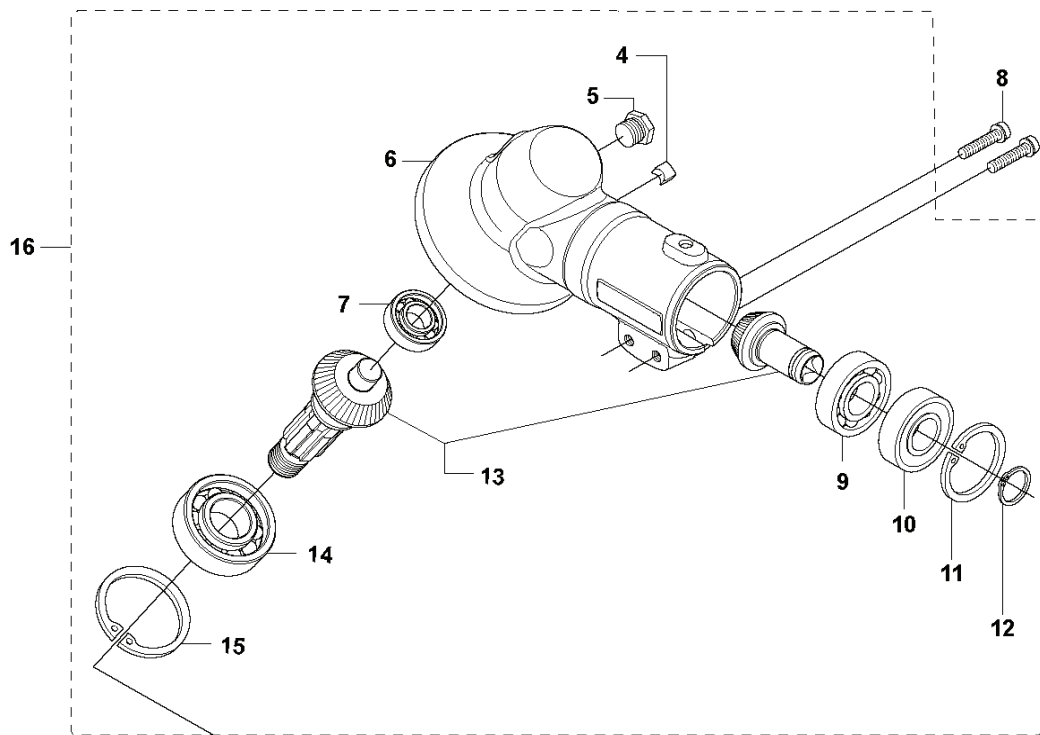
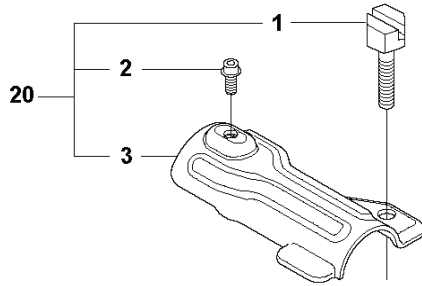


RESERVDELSKATALOG
: HUSQVARNA 335FR

Reservdelslista

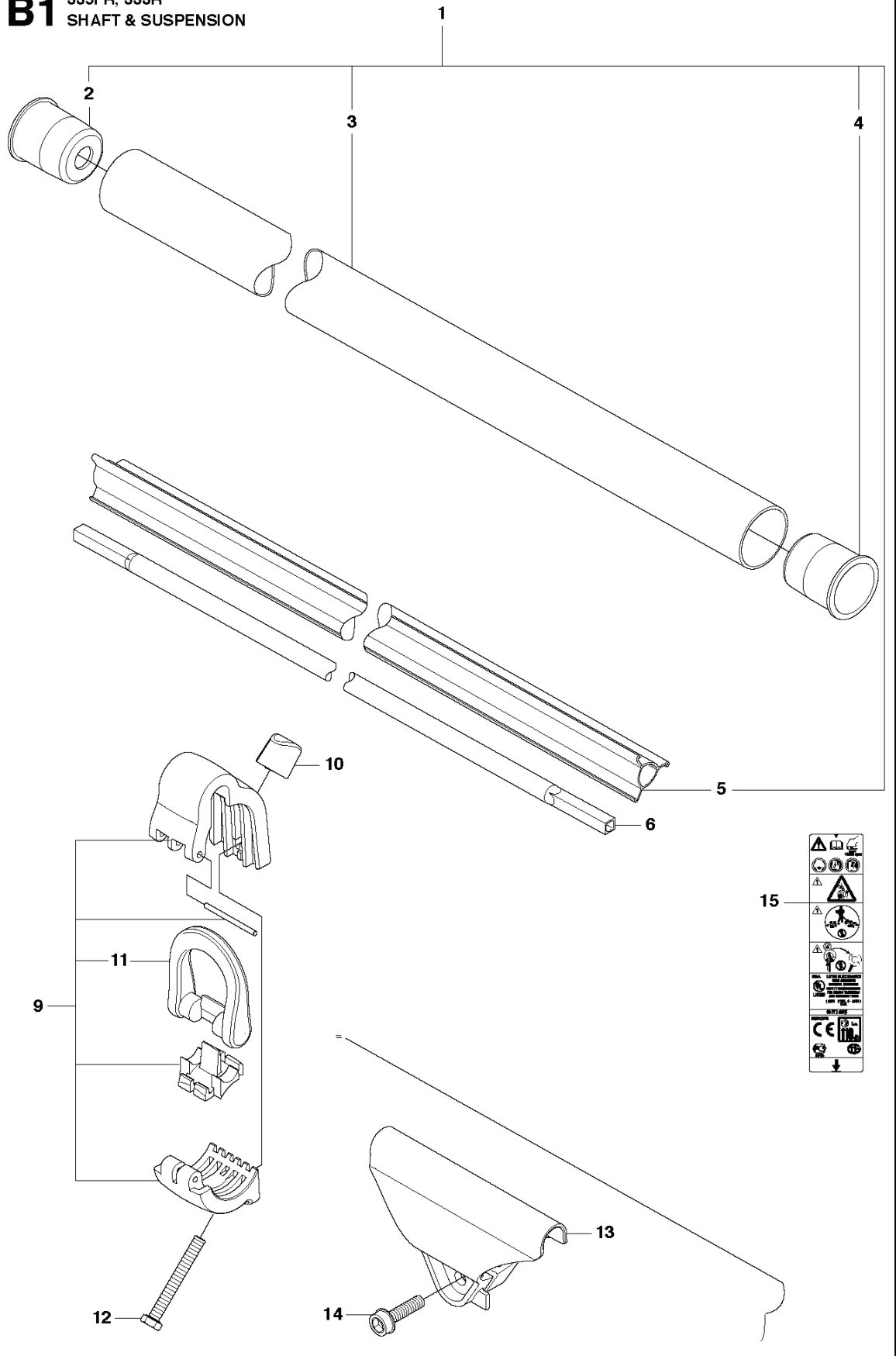
RESERVDELSLISTA

A 333R, 333RJ
335FR, 335LS, 335Lx, 335RJx, 335Rx.
BEVEL GEAR



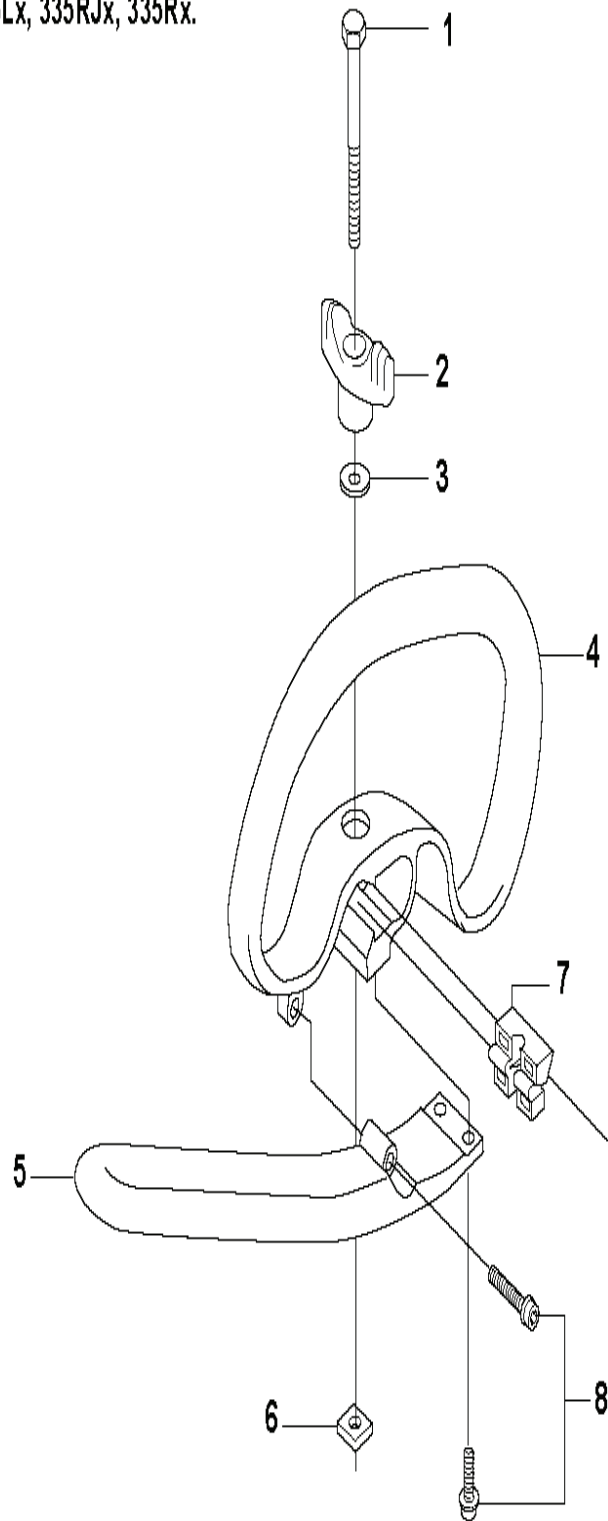
| REF. | ART. NR | ARTIKELBESKRIVNING | ANMÄRKNING | KIT |
|------|-----------|--------------------|--------------------------------|-----|
| 1 | 537189501 | SCREW | | 1 |
| 2 | 503200210 | SKRUV IHSCFM | | 1 |
| 3 | 544087601 | ÖVERFALL | | 1 |
| 4 | 537147401 | MAGNET | | 1 |
| 5 | 503201501 | SCREW | | 1 |
| 6 | 537295902 | VÄXELHUS | | 1 |
| 7 | 738219900 | KULLAGER | | 1 |
| 8 | 503200325 | SKRUV IHSCFM | | 2 |
| 9 | 738210110 | KULLAGER | | 1 |
| 10 | 738210112 | KULLAGER | | 1 |
| 11 | 735312810 | SPÄRRING | | 1 |
| 12 | 735311400 | SPÄRRING | | 1 |
| 13 | 505133401 | KUGGVÄXEL SATS | 333RJ, 335RJx, 335Lx, 335LS | 1 |
| 13 | 505133301 | SPARE PARTS KIT | 333R, 335Rx, 335Fr | 1 |
| 14 | 503252801 | KULLAGER | | 1 |
| 15 | 735313110 | SPÄRRING | | 1 |
| 16 | 544216401 | VÄXEL | 333R, 335Rx, 335Fr | 1 |
| 16 | 537295802 | VINKELVÄXEL | 333RJ, 335RJx, 335Lx, 335LS | 1 |
| 17 | 537351401 | MEDBRINGARE | (1) | 1 |
| 18 | 537343501 | STÖDFLÄNS | | 1 |
| 19 | 502291101 | MUTTER KLINGA | | 1 |
| 20 | 574306801 | ÖVERFALL | | 1 |

B1 335FR, 333R
SHAFT & SUSPENSION



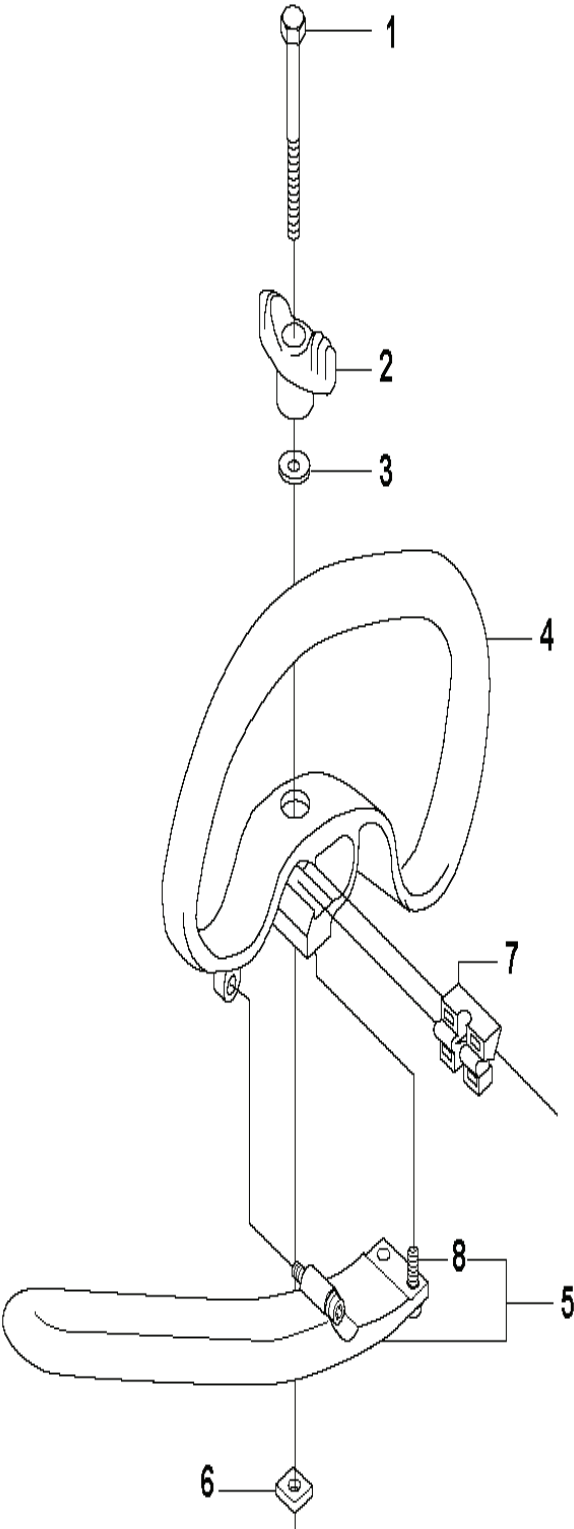
| REF. | ART. NR | ARTIKELBESKRIVNING | ANMÄRKNING | KIT |
|------|-----------|--------------------|----------------------|-----|
| 1 | 537214201 | RÖR | 333R, 335Rx, 335FR | 1 |
| 2 | 537360202 | DISTANSBRICKA | | 1 |
| 3 | 537214101 | RÖR | Ø = 28mm, L = 1483mm | 1 |
| 4 | 537360201 | DISTANSBRICKA | | 1 |
| 5 | 537313901 | STYRNING | Ø = 9mm, L = 1400mm | 1 |
| 6 | 537355201 | DRIVAXEL | Ø = 8mm, L = 1527mm | 1 |
| 9 | 537349801 | ÖGLA | | 1 |
| 10 | 537130402 | KNOPP | | 1 |
| 11 | 537350101 | ÖGLA | | 1 |
| 12 | 725233951 | SKRUV EHHM | | 1 |
| 13 | 537376101 | KABLAGE | | 1 |
| 14 | 503217516 | SKRUV IHSCFT | | 1 |
| 15 | 537294801 | DEKAL | | 1 |

C 333R, 333RJ
335FR, 335LS, 335Lx, 335RJx, 335Rx.
HANDLE



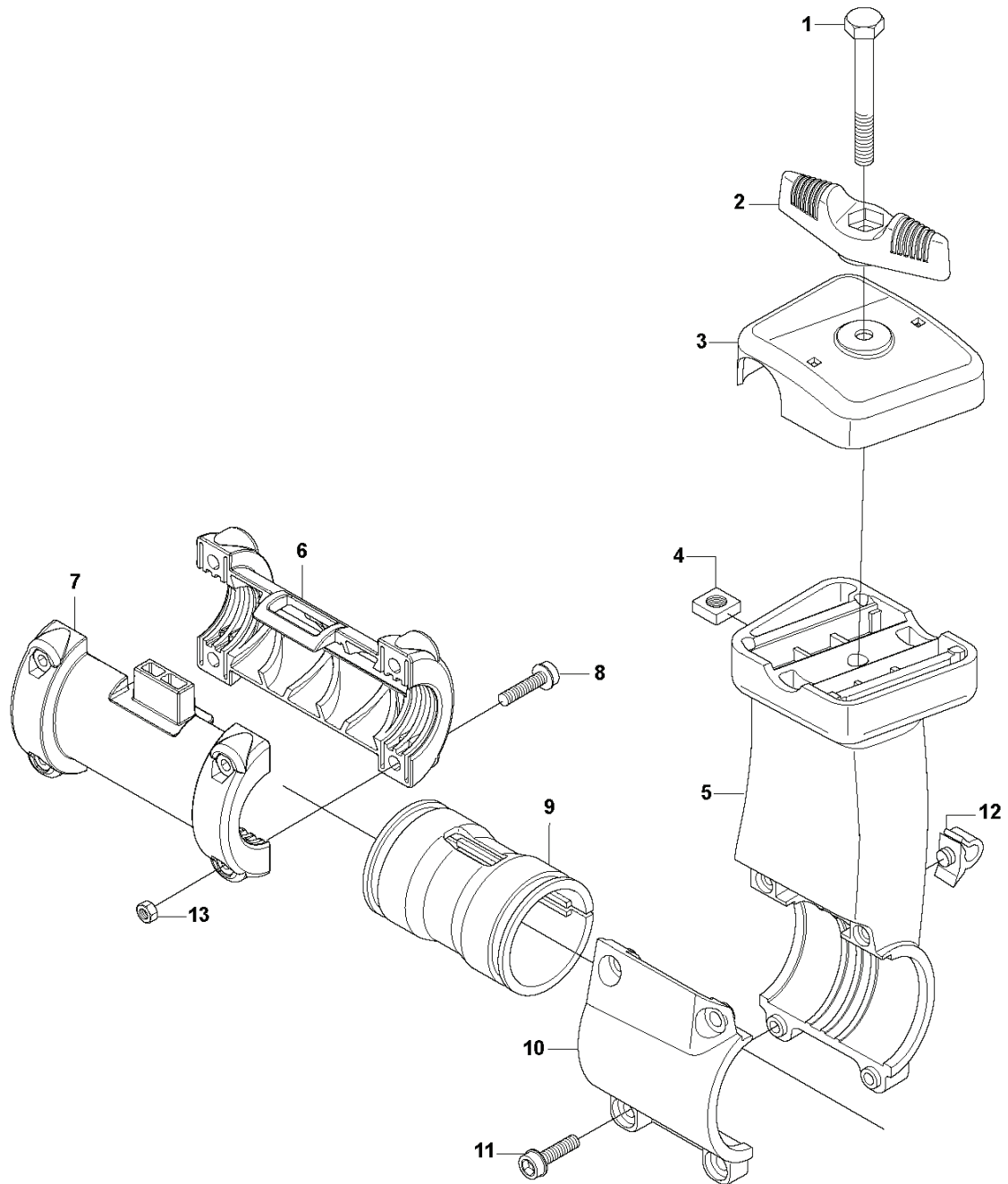
| REF. | ART. NR | ARTIKELBESKRIVNING | ANMÄRKNING | KIT |
|------|-----------|--------------------|---------------|-----|
| 1 | 725238051 | SKRUV EHHM | 335Lx, 335RJx | 1 |
| 1 | 725237851 | SKRUV EHHM | 33RJ, 335LS | 1 |
| 2 | 503879001 | KNOPP | 335Lx, 335RJx | 1 |
| 3 | 503230061 | BRICKA | 33RJ, 335LS | 1 |
| 4 | 544101002 | LOOPHANDTAG | | 1 |
| 5 | 503997801 | HANDTAG | 333RJ, 335RJx | 1 |
| 6 | 502197101 | MUTTER 4-KANT | | 1 |
| 7 | 544101101 | BLOCK.SPACING | | 1 |

Captive screws

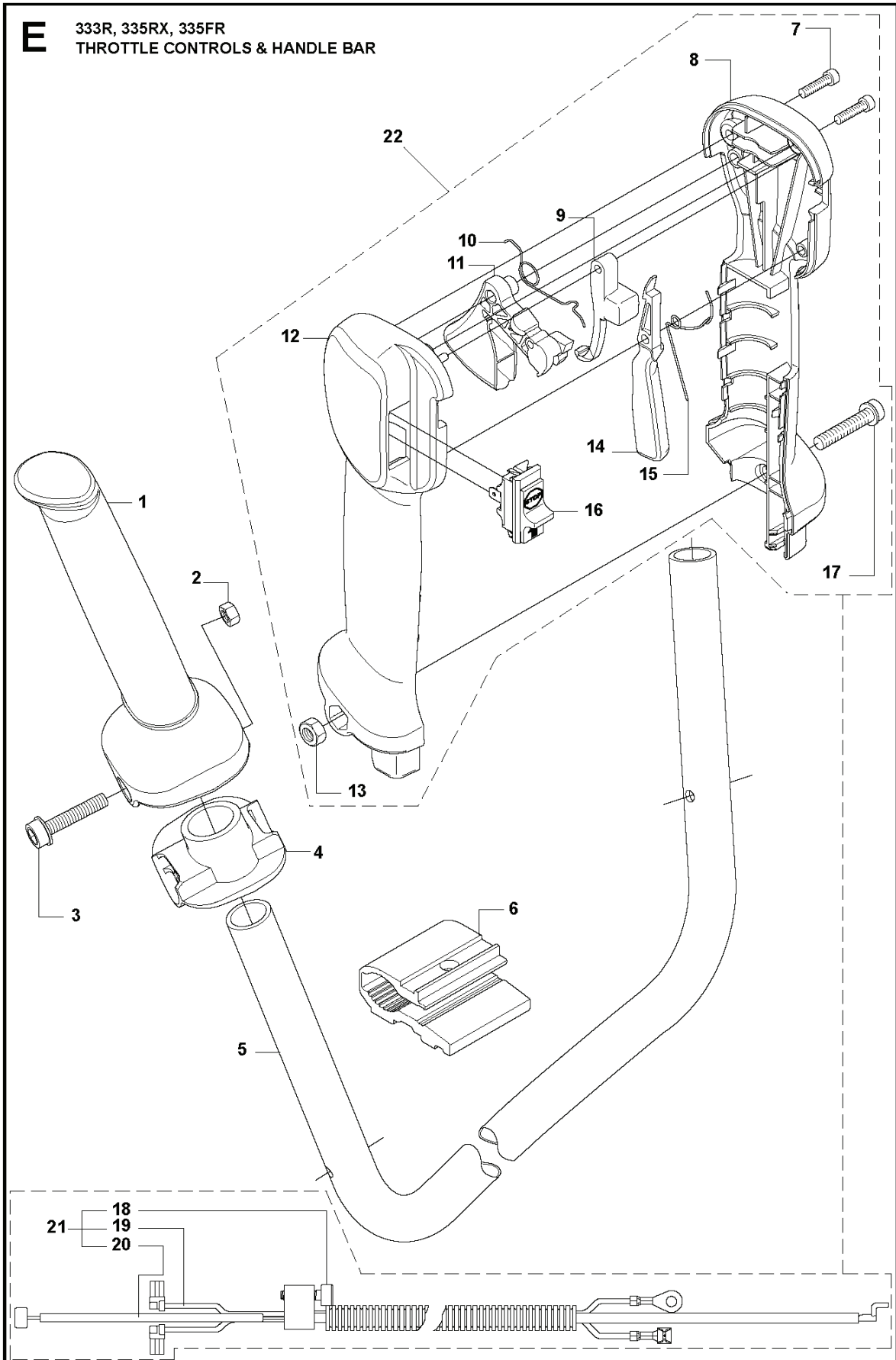


| REF. | ART. NR | ARTIKELBESKRIVNING | ANMÄRKNING | KIT |
|------|-----------|--------------------|----------------|-----|
| 1 | 725238051 | SKRUV EHHM | 335Lx, 335RJx | 1 |
| 1 | 725237851 | SKRUV EHHM | 33RJ, 335LS | 1 |
| 2 | 503879001 | KNOPP | 335Lx, 335RJx | 1 |
| 3 | 503230061 | BRICKA | 33RJ, 335LS | 1 |
| 4 | 544101004 | HANDLE LOOP | Captive screws | 1 |
| 5 | 503997801 | HANDTAG | Captive screws | 1 |
| 6 | 502197101 | MUTTER 4-KANT | | 1 |
| 7 | 544101101 | BLOCK.SPACING | | 1 |
| 8 | 574181501 | SKRUV IHSCFTO | Captive screws | 3 |

D3 335FR
TOWER

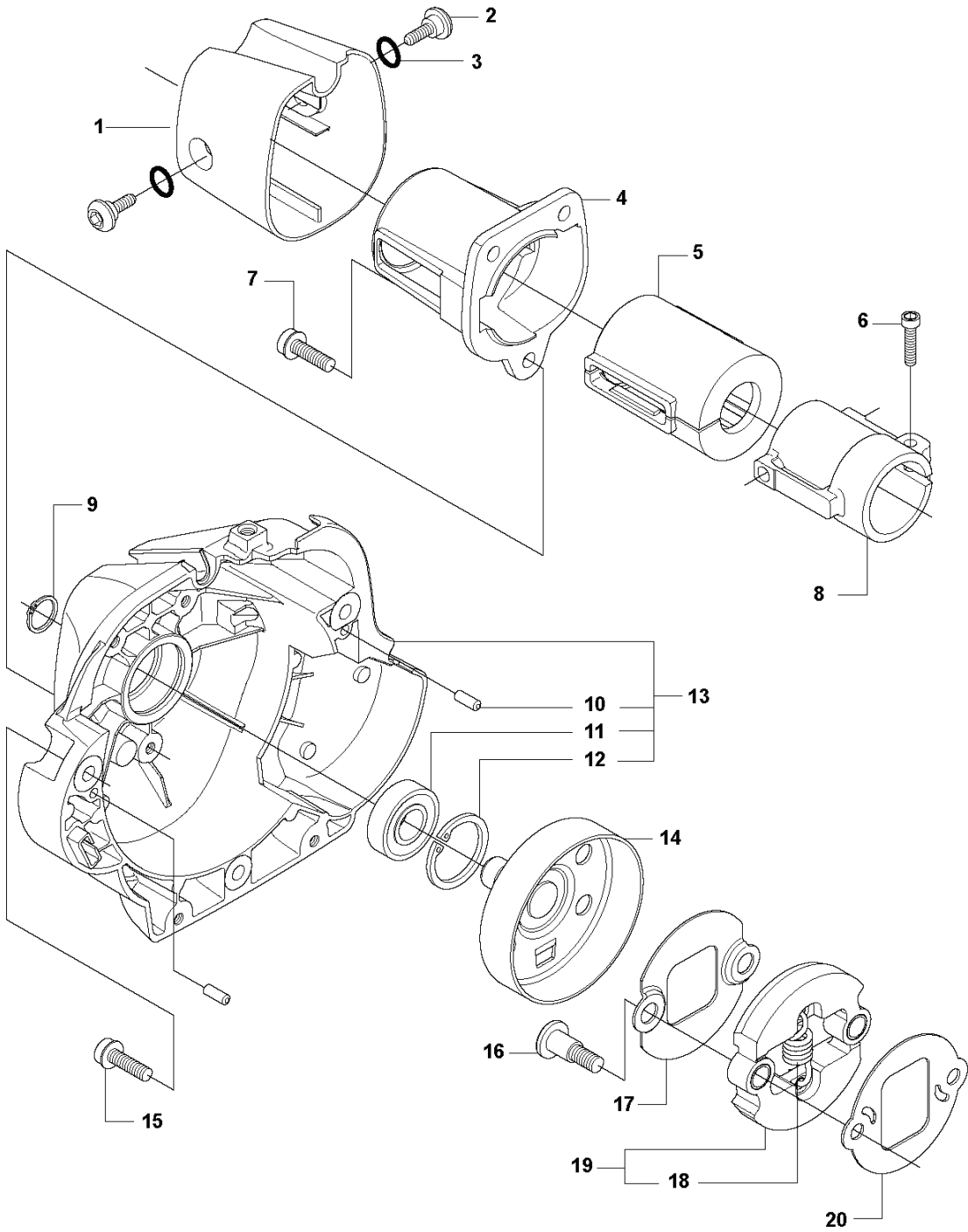


| REF. | ART. NR | ARTIKELBESKRIVNING | ANMÄRKNING | KIT |
|------|-----------|--------------------|------------|-----|
| 1 | 725238285 | SKRUV EHHM | | 1 |
| 2 | 502203801 | KNOPP | | 1 |
| 3 | 537376301 | KÅPA | | 1 |
| 4 | 502197101 | MUTTER 4-KANT | | 1 |
| 5 | 504912701 | FÄSTE | | 1 |
| 6 | 501380301 | KLÄMHYLSA | | 2 |
| 7 | 505220401 | KLÄMHYLSA KPL | | 1 |
| 8 | 503200778 | SKRUV IHSCFM | | 4 |
| 9 | 537348901 | VIBRATIONISOLATOR | | 1 |
| 10 | 537348701 | NAVKAPSEL | | 1 |
| 11 | 503210619 | SKRUV IHST | | 4 |
| 12 | 502286101 | KLÄMMA | | 1 |
| 13 | 731231401 | MUTTER (HEXAGON) | | 4 |

E**333R, 335RX, 335FR
THROTTLE CONTROLS & HANDLE BAR**

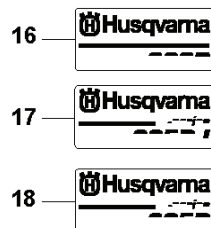
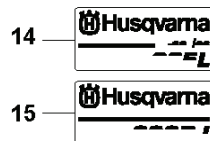
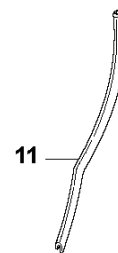
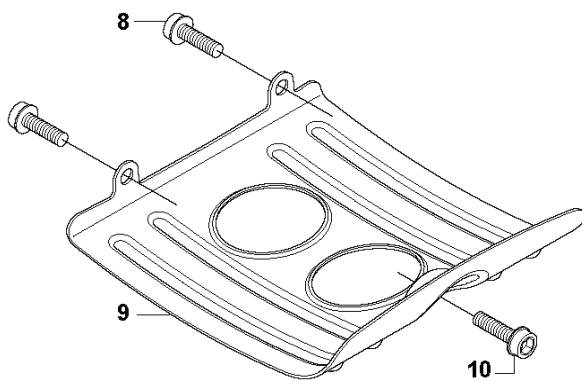
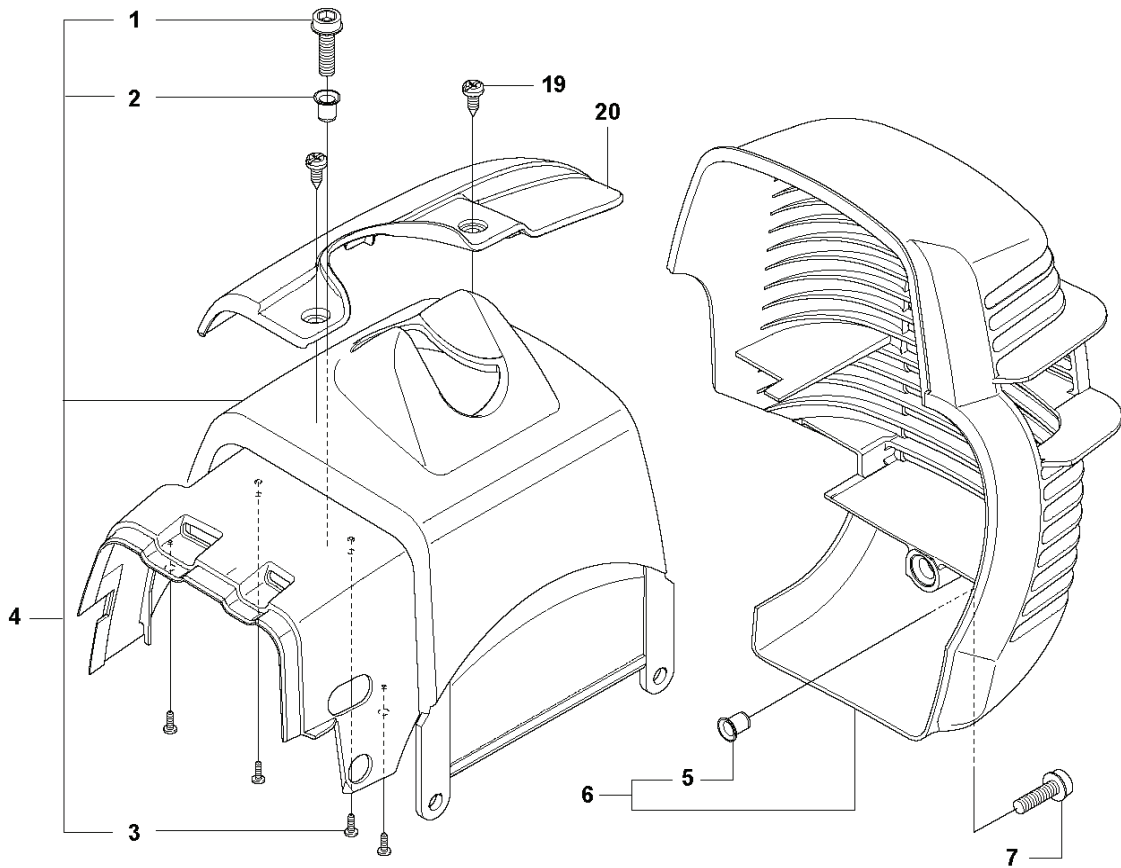
| REF. | ART. NR | ARTIKELBESKRIVNING | ANMÄRKNING | KIT |
|------|-----------|--------------------|--------------------|-----|
| 1 | 537172801 | HANDTAG | | 1 |
| 2 | 731231401 | MUTTER (HEXAGON) | | 1 |
| 3 | 503200245 | SKRUV IHSCFM | | 1 |
| 4 | 537172901 | KÅPA | | 1 |
| 5 | 537360001 | STYRE | | 1 |
| 6 | 503750002 | STYRHÅLLARE | | 1 |
| 7 | 503216618 | SKRUV IH SCT | 333R, 335Rx, 335FR | 2 |
| 8 | 537160301 | HANDTAGSHALVA | 333R | 1 |
| 8 | 537160302 | HANDTAGSHALVA | 335Rx, 335FR | 1 |
| 9 | 537160701 | GASSPÄRR | 333R, 335Rx, 335FR | 1 |
| 10 | 537174201 | FJÄDER | 333R, 335Rx, 335FR | 1 |
| 11 | 506497701 | GASREGLAGE | 333R, 335Rx, 335FR | 1 |
| 12 | 537160202 | HANDTAGSHALVA | 335Rx, 335FR | 1 |
| 12 | 537160203 | HANDTAGSHALVA | 333R | 1 |
| 13 | 503221013 | MUTTER (HEXAGON) | 333R, 335Rx, 335FR | 1 |
| 14 | 506497701 | GASREGLAGE | 333R, 335Rx, 335FR | 1 |
| 15 | 537174301 | FJÄDER | 333R, 335Rx, 335FR | 1 |
| 16 | 537419001 | BRYTARE | 333R, 335Rx, 335FR | 1 |
| 17 | 503200735 | SKRUV IHSCFM | 333R, 335Rx, 335FR | 1 |
| 18 | 503216618 | SKRUV IH SCT | 333R, 335Rx, 335FR | 1 |
| 19 | 503878507 | KORTSLUTNINGSKABEL | 333R, 335Rx, 335FR | 1 |
| 20 | 537377801 | GASVAJER KPL | 333R, 335Rx, 335FR | 1 |
| 21 | 537359602 | KABLAGE KPL | 333R, 335Rx, 335FR | 1 |
| 22 | 537424513 | HANDTAG KPL | | 1 |

G 333R, 333RJ
335FR, 335LS, 335Lx, 335RJx, 335Rx.
CLUTCH & CLUTCH COVER



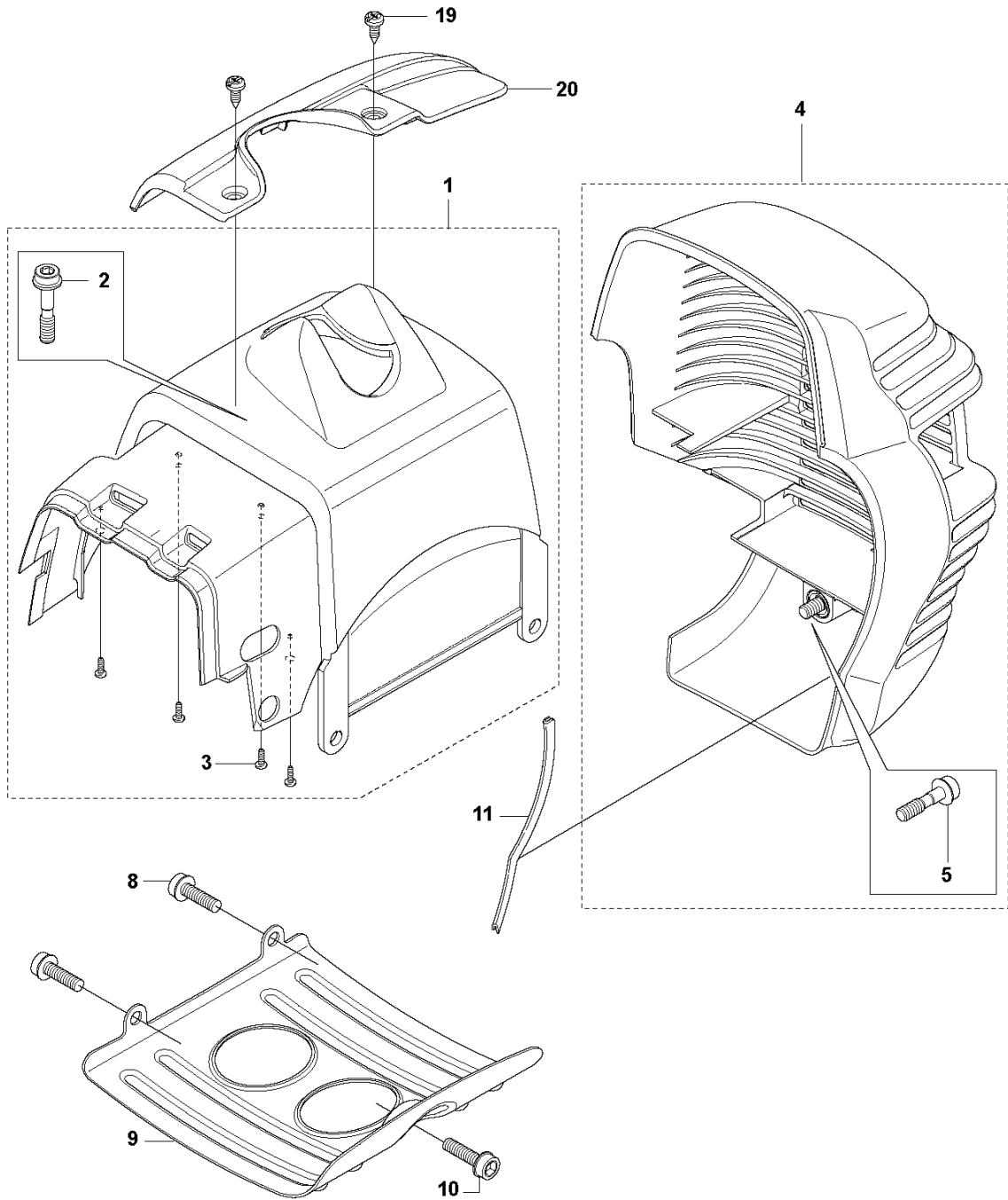
| REF. | ART. NR | ARTIKELBESKRIVNING | ANMÄRKNING | KIT |
|------|-----------|--------------------|--------------------------------|-----|
| 1 | 537326101 | KÅPA | 333R, 335Rx, 335FR | 1 |
| 1 | 544119701 | KÅPA | 333RJ, 335RJx, 335Lx, 335LS | 1 |
| 2 | 503961301 | SCREW | | 2 |
| 3 | 740420600 | O-RING | | 2 |
| 4 | 537310001 | KÅPA | | 1 |
| 5 | 537322701 | VIBRATIONISOLATOR | | 1 |
| 6 | 725533355 | SKRUV IHSCM | | 1 |
| 7 | 503200320 | SKRUV IHSCFM | | 3 |
| 8 | 537310101 | COMPRESSION SLEEVE | 333R, 335Rx, 335FR | 1 |
| 8 | 537310102 | COMPRESSION SLEEVE | 333RJ, 335RJx, 335Lx, 335LS | 1 |
| 9 | 735311400 | SPÄRRING | | 1 |
| 10 | 503240702 | CYLINDRISK PINNE | | 2 |
| 11 | 738210104 | KULLAGER | | 1 |
| 12 | 735312810 | SPÄRRING | | 1 |
| 13 | 537302901 | KOPPLINGSKÅPA | | 1 |
| 14 | 537352901 | KOPPLINGSTRUMMA | | 1 |
| 15 | 503200320 | SKRUV IHSCFM | | 3 |
| 16 | 537418101 | SCREW | | 2 |
| 17 | 537415701 | BRICKA | | 1 |
| 18 | 537427201 | FJÄDER | | 1 |
| 19 | 537340401 | KOPPLING | | 1 |
| 20 | 537046801 | BRICKA | | 1 |

H1 333R, 333RJ
 335FR, 335LS, 335Lx, 335RJx, 335Rx.
 COVERS



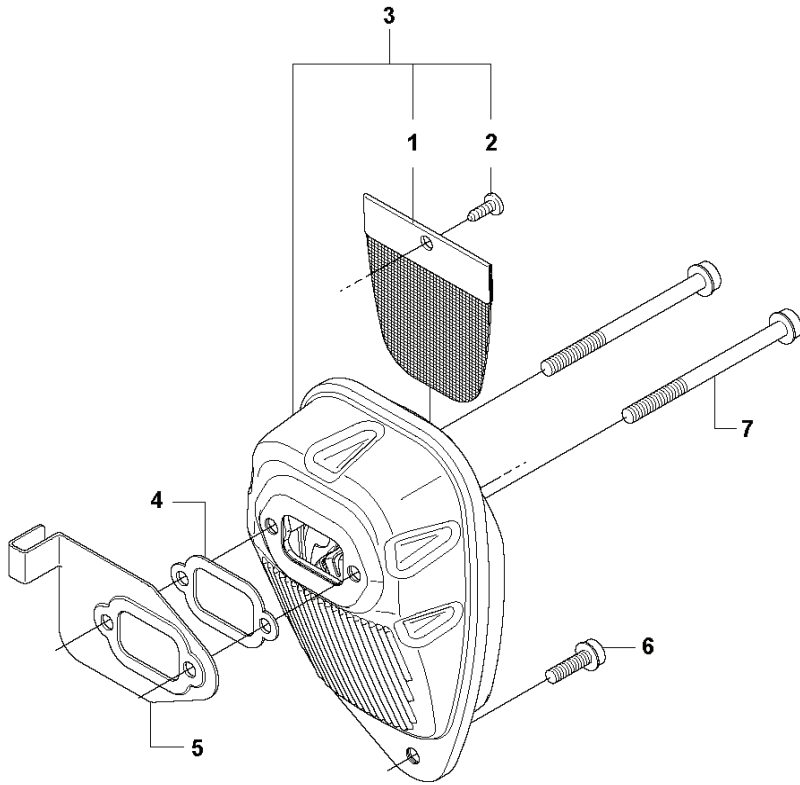
| REF. | ART. NR | ARTIKELBESKRIVNING | ANMÄRKNING | KIT |
|------|-----------|--------------------|---------------|-----|
| 1 | 503200320 | SKRUV IHSCFM | | 1 |
| 2 | 537373802 | TUBULAR RIVET | | 1 |
| 3 | 503212910 | SCREW CCRPANT | | 4 |
| 4 | 544160101 | CYLINDERKÅPA | | 1 |
| 5 | 537373803 | TUBULAR RIVET | | 1 |
| 6 | 537425101 | VÄRMESKYDD | | 1 |
| 7 | 503200320 | SKRUV IHSCFM | | 1 |
| 8 | 503217516 | SKRUV IHSCFT | | 2 |
| 9 | 537357201 | SKYDDSPÅT | | 1 |
| 10 | 503217516 | SKRUV IHSCFT | | 1 |
| 11 | 544029801 | SVÄRD | | 1 |
| 12 | 537395208 | DEKAL | 335LS | 1 |
| 13 | 537395209 | DEKAL | 335FR | 1 |
| 14 | 537395202 | DEKAL | 335Lx | 1 |
| 15 | 537395203 | DEKAL | 333RJ | 1 |
| 16 | 537395204 | DEKAL | 333R | 1 |
| 17 | 537395205 | DEKAL | 335RJx | 1 |
| 18 | 537395206 | DEKAL | 335Rx | 1 |
| 19 | 503213502 | SCREW | 335LS, 335RJX | 2 |
| 20 | 502433901 | ARMSKYDD | | 1 |

H2 333R, 333RJ
335FR, 335LS, 335Lx, 335RJx, 335Rx.
COVERS



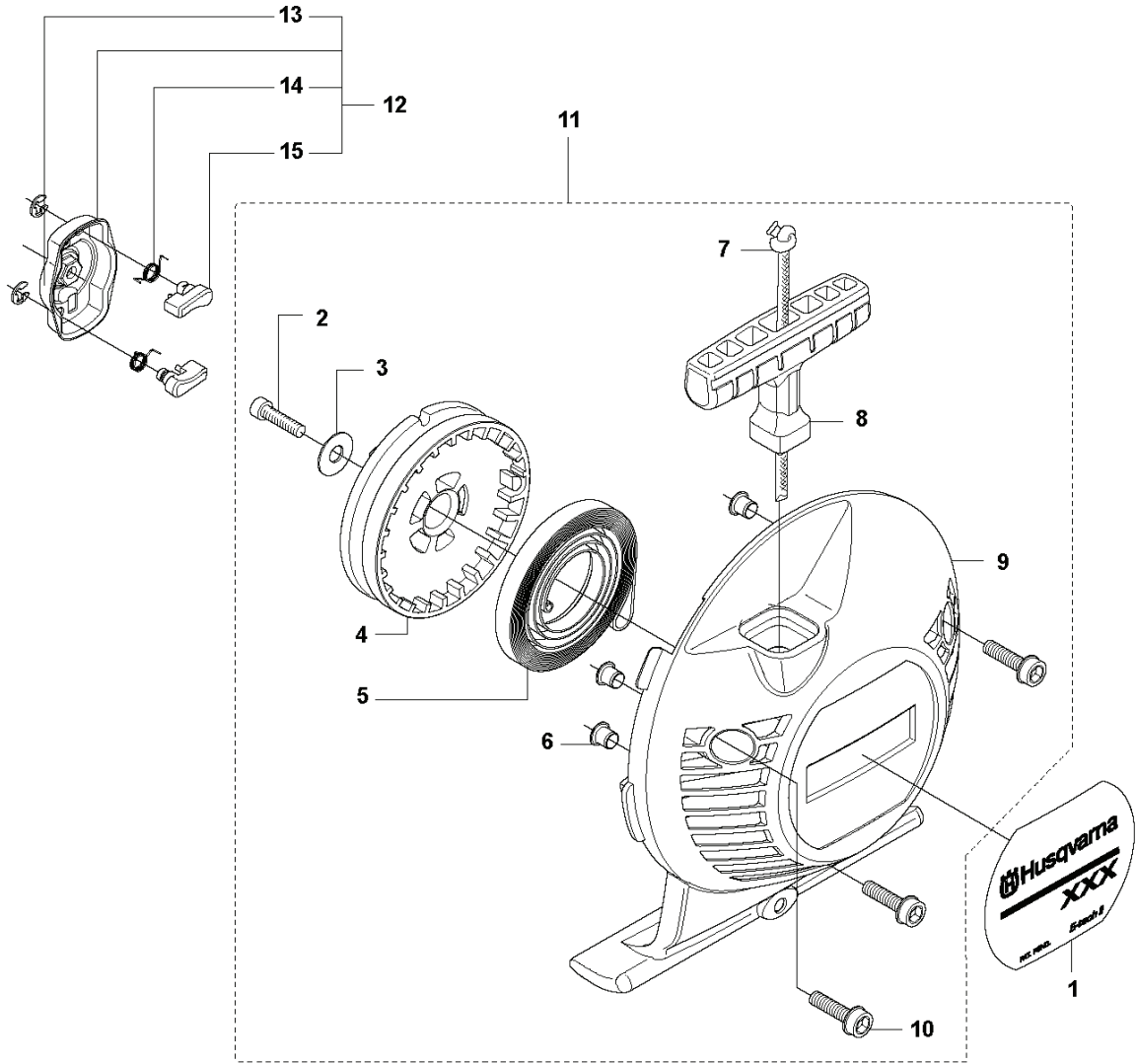
| REF. | ART. NR | ARTIKELBESKRIVNING | ANMÄRKNING | KIT |
|------|-----------|--------------------|----------------|-----|
| 1 | 544160102 | CYLINDERKÅPA | Captive screws | 1 |
| 2 | 573994304 | SKRUV IHSCFMO | Captive screws | 1 |
| 3 | 503212910 | SCREW CCRPANT | | 4 |
| 4 | 537425102 | VÄRMESKYDD | Captive screws | 1 |
| 5 | 574477003 | SKRUV IHSCFMO | Captive screws | 1 |
| 8 | 503217516 | SKRUV IHSCFT | | 2 |
| 9 | 537357201 | SKYDDSPÅT | | 1 |
| 10 | 503217516 | SKRUV IHSCFT | | 1 |
| 11 | 544029801 | SVÅRD | | 1 |
| 12 | 537395208 | DEKAL | 335LS | 1 |
| 13 | 537395209 | DEKAL | 335FR | 1 |
| 14 | 537395202 | DEKAL | 335Lx | 1 |
| 15 | 537395203 | DEKAL | 333RJ | 1 |
| 16 | 537395204 | DEKAL | 333R | 1 |
| 17 | 537395205 | DEKAL | 335RJx | 1 |
| 18 | 537395206 | DEKAL | 335Rx | 1 |
| 19 | 503213502 | SCREW | 335Rx | 2 |
| 20 | 502433901 | ARMSKYDD | 335Rx | 1 |

J 333R, 333RJ
335FR, 335LS, 335Lx, 335RJx, 335Rx.
MUFFLER



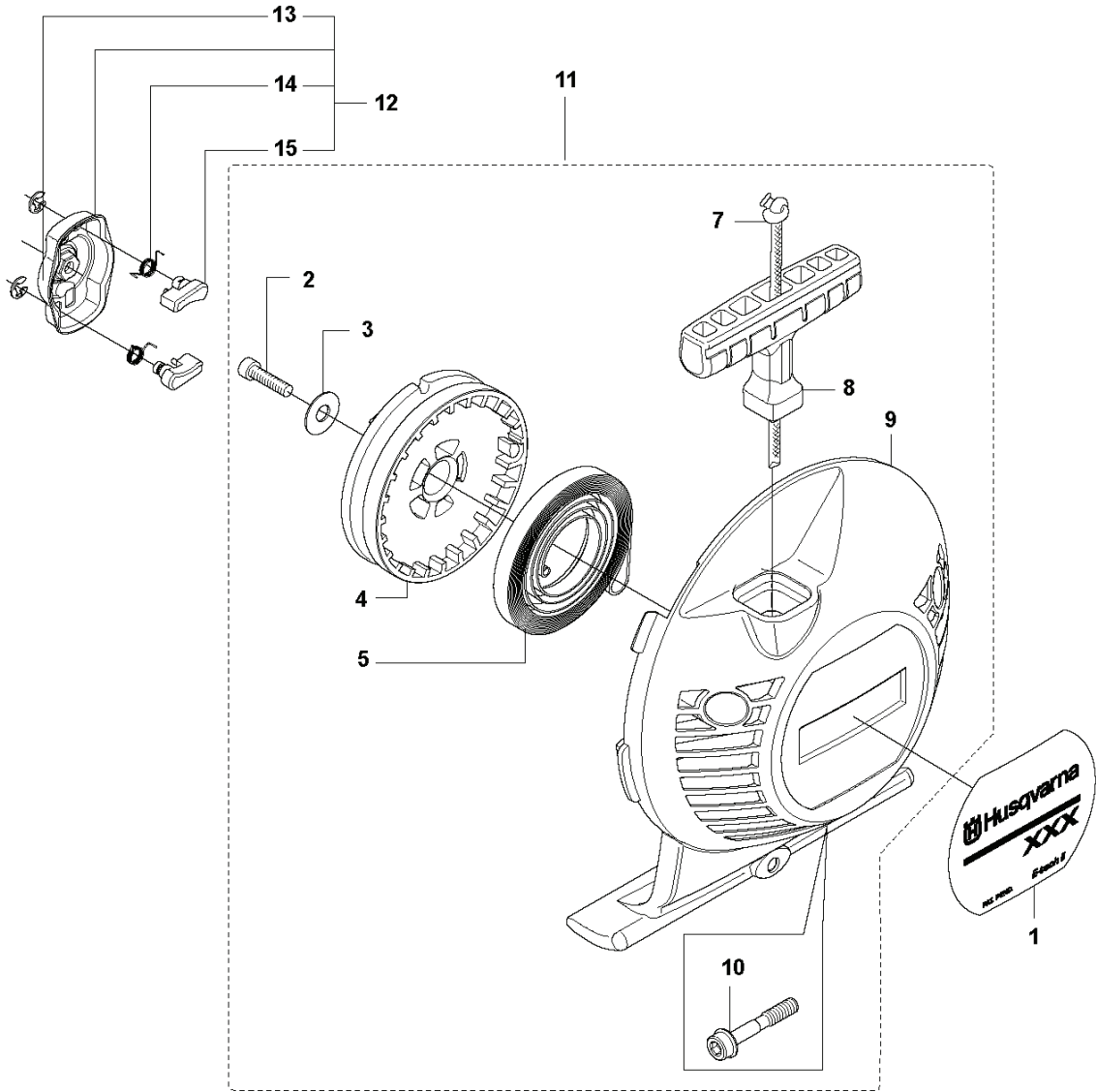
| REF. | ART. NR | ARTIKELBESKRIVNING | ANMÄRKNING | KIT |
|------|-----------|--------------------|--------------------------------|-----|
| 1 | 537324701 | GNISTFÅNGARNÄT | | 1 |
| 2 | 724128759 | SKRUV CRPANM | | 1 |
| 3 | 544116702 | LJUDDÄMPARE KPL | 333RJ, 333R | 1 |
| 3 | 544116701 | LJUDDÄMPARE KPL | 335Rx, 335RJx, 335Lx, 335LS | 1 |
| 4 | 537333101 | PACKNING | | 1 |
| 5 | 537340801 | LUFTLEDARE | | 1 |
| 6 | 503200320 | SKRUV IHSCFM | | 1 |
| 7 | 503202963 | SKRUV IHSCFM | | 2 |

K1 333R, 333RJ
335FR, 335LS, 335Lx, 335RJx, 335Rx.
STARTER



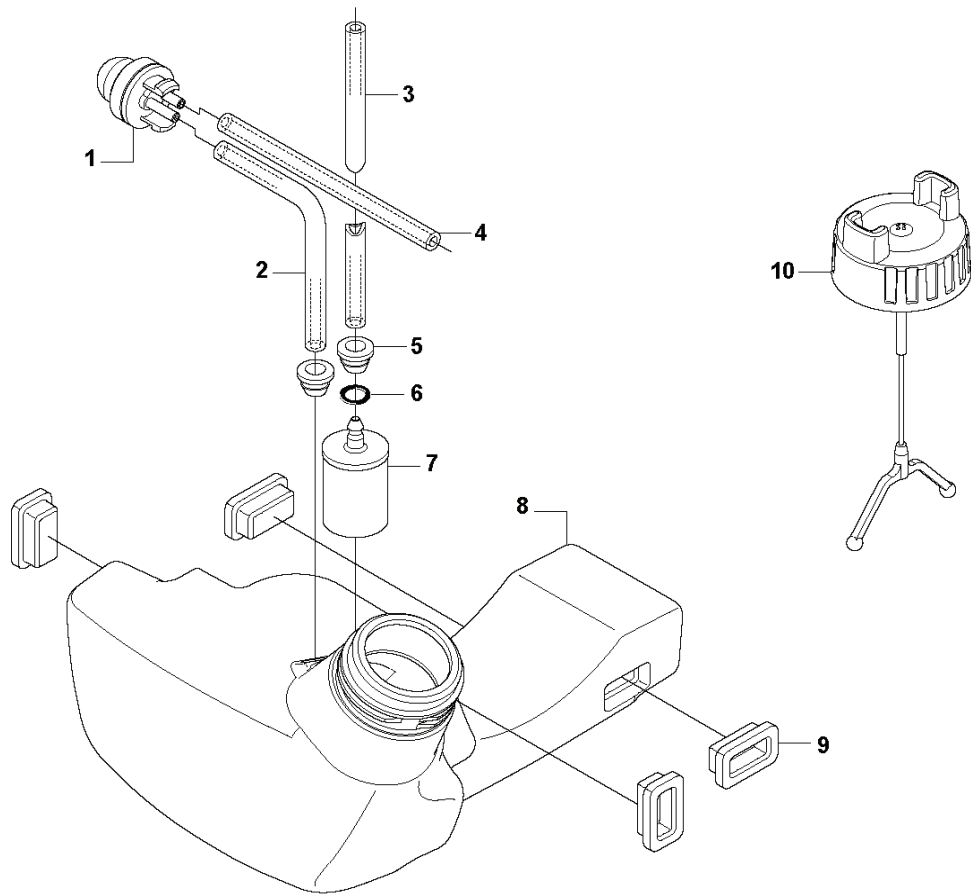
| REF. | ART. NR | ARTIKELBESKRIVNING | ANMÄRKNING | KIT |
|------|-----------|--------------------|------------|-----|
| 1 | 537322409 | DEKAL | 335FR | 1 |
| 1 | 537322408 | DEKAL | 335LS | 1 |
| 1 | 537322406 | DEKAL | 335Rx | 1 |
| 1 | 537322405 | DEKAL | 333R | 1 |
| 2 | 503217920 | SKRUV IHSCCT | | 1 |
| 3 | 535072301 | BRICKA | | 1 |
| 4 | 537325002 | LINHJUL | | 1 |
| 5 | 503859901 | RETURFJÄDER | | 1 |
| 6 | 537373802 | TUBULAR RIVET | | 3 |
| 7 | 505305125 | STARTSNÖRE | | 1 |
| 8 | 503543901 | STARTHANDTAG | | 1 |
| 9 | 544279301 | STARTAPPARAT | | 1 |
| 10 | 503200320 | SKRUV IHSCFM | | 3 |
| 11 | 537214703 | STARTAPPARAT KPL | | 1 |
| 12 | 503873305 | STARTHAKE | | 1 |
| 13 | 735310820 | SPÄRRYTTARE | | 2 |
| 14 | 503873601 | FJÄDER | | 1 |
| 15 | 503873502 | STARTHAKE | | 2 |

K2 333R, 333RJ
335FR, 335LS, 335Lx, 335RJx, 335Rx.
STARTER



| REF. | ART. NR | ARTIKELBESKRIVNING | ANMÄRKNING | KIT |
|------|-----------|--------------------|------------------------------------|-----|
| 1 | 537322409 | DEKAL | 335FR | 1 |
| 1 | 537322408 | DEKAL | 335LS | 1 |
| 1 | 537322406 | DEKAL | 335Rx | 1 |
| 1 | 537322405 | DEKAL | 333R | 1 |
| 2 | 503217920 | SKRUV IHSCCT | | 1 |
| 3 | 535072301 | BRICKA | | 1 |
| 4 | 537325002 | LINHJUL | | 1 |
| 5 | 503859901 | RETURFJÄDER | | 1 |
| 7 | 505305125 | STARTSNÖRE | | 1 |
| 8 | 503543901 | STARHANDTAG | | 1 |
| 9 | 544102502 | STARTAPPARAT | Spare part incl. Screws Pos. 10 | 1 |
| 10 | 573994305 | SKRUV IHSCFMO | Captive screws | 3 |
| 11 | 537214707 | STARTAPPARAT KPL | | 1 |
| 12 | 503873305 | STARHAKE | | 1 |
| 13 | 735310820 | SPÄRRYTTARE | | 2 |
| 14 | 503873601 | FJÄDER | | 1 |
| 15 | 503873502 | STARHAKE | | 2 |

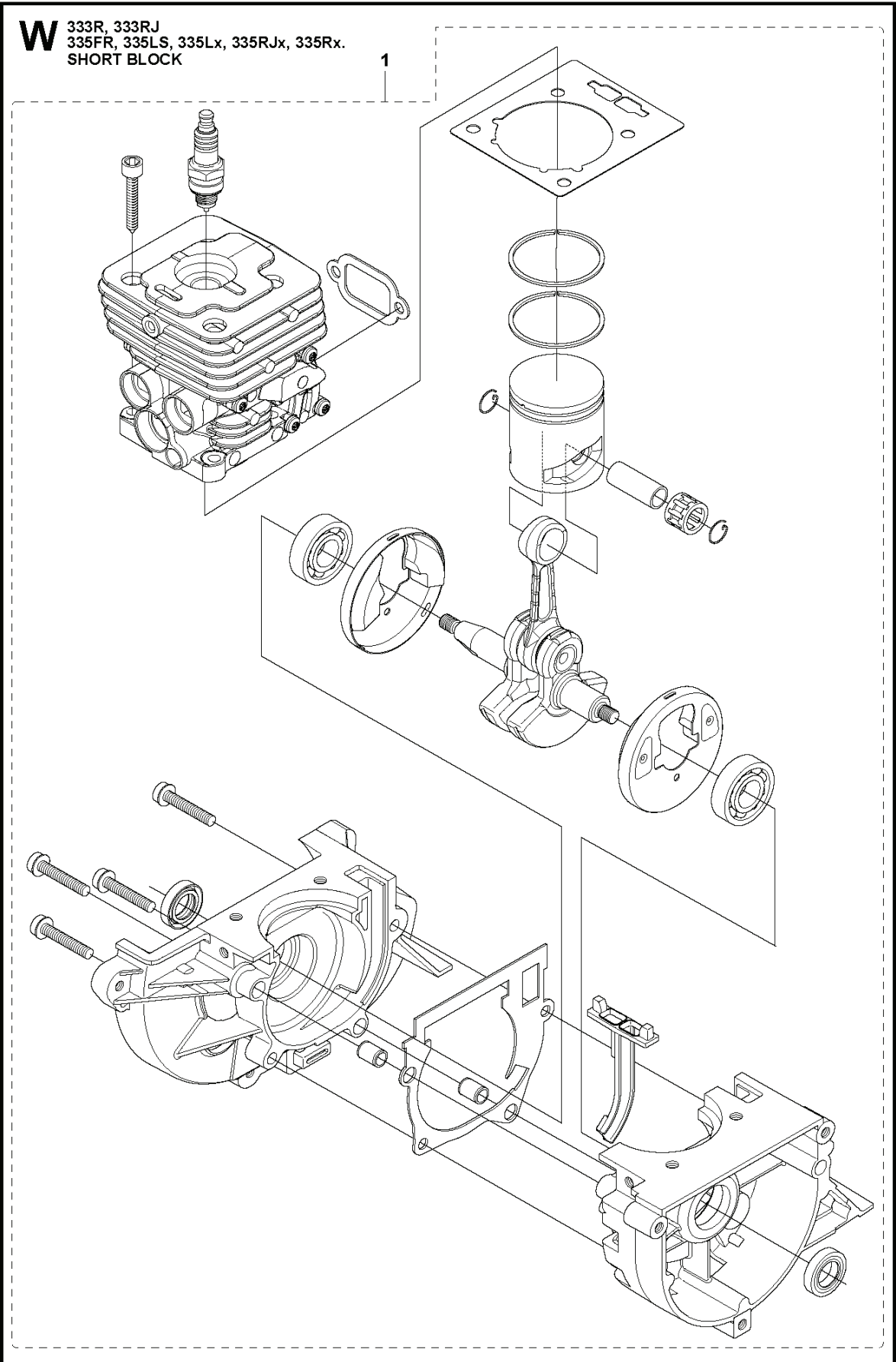
L 333R, 333RJ
335FR, 335LS, 335Lx, 335RJx, 335Rx.
FUEL TANK



| REF. | ART. NR | ARTIKELBESKRIVNING | ANMÄRKNING | KIT |
|------|-----------|--------------------|------------|-----|
| 1 | 503936601 | PURGE | | 1 |
| 2 | 537042412 | BRÄNSLESLANG | | 1 |
| 3 | 537052301 | BRÄNSLESLANG | | 1 |
| 4 | 537042412 | BRÄNSLESLANG | | 1 |
| 5 | 503735801 | BUSHING | | 2 |
| 6 | 537184901 | O-RING | | 1 |
| 7 | 503443201 | BRÄNSLEFILTER | | 1 |
| 8 | 544328801 | TANK KPL | | 1 |
| 9 | 503911001 | UPPHÄNGNING | | 4 |
| 10 | 503911802 | TANKLOCK | | 1 |

W 333R, 333RJ
335FR, 335LS, 335Lx, 335RJx, 335Rx.
SHORT BLOCK

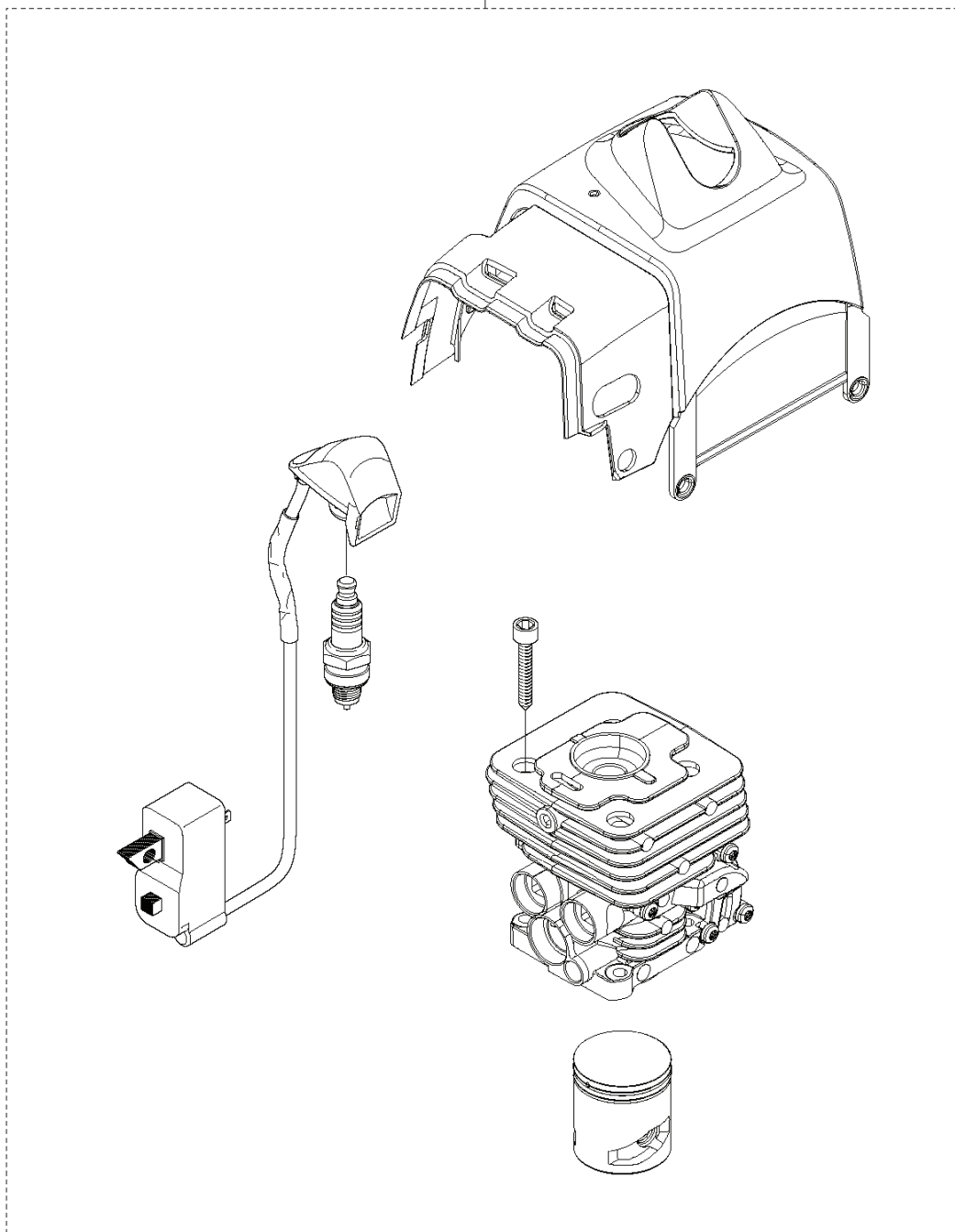
1



| REF. | ART. NR | ARTIKELBESKRIVNING | ANMÄRKNING | KIT |
|------|-----------|--------------------|------------|-----|
| 1 | 576796801 | SHORT BLOCK | | 1 |

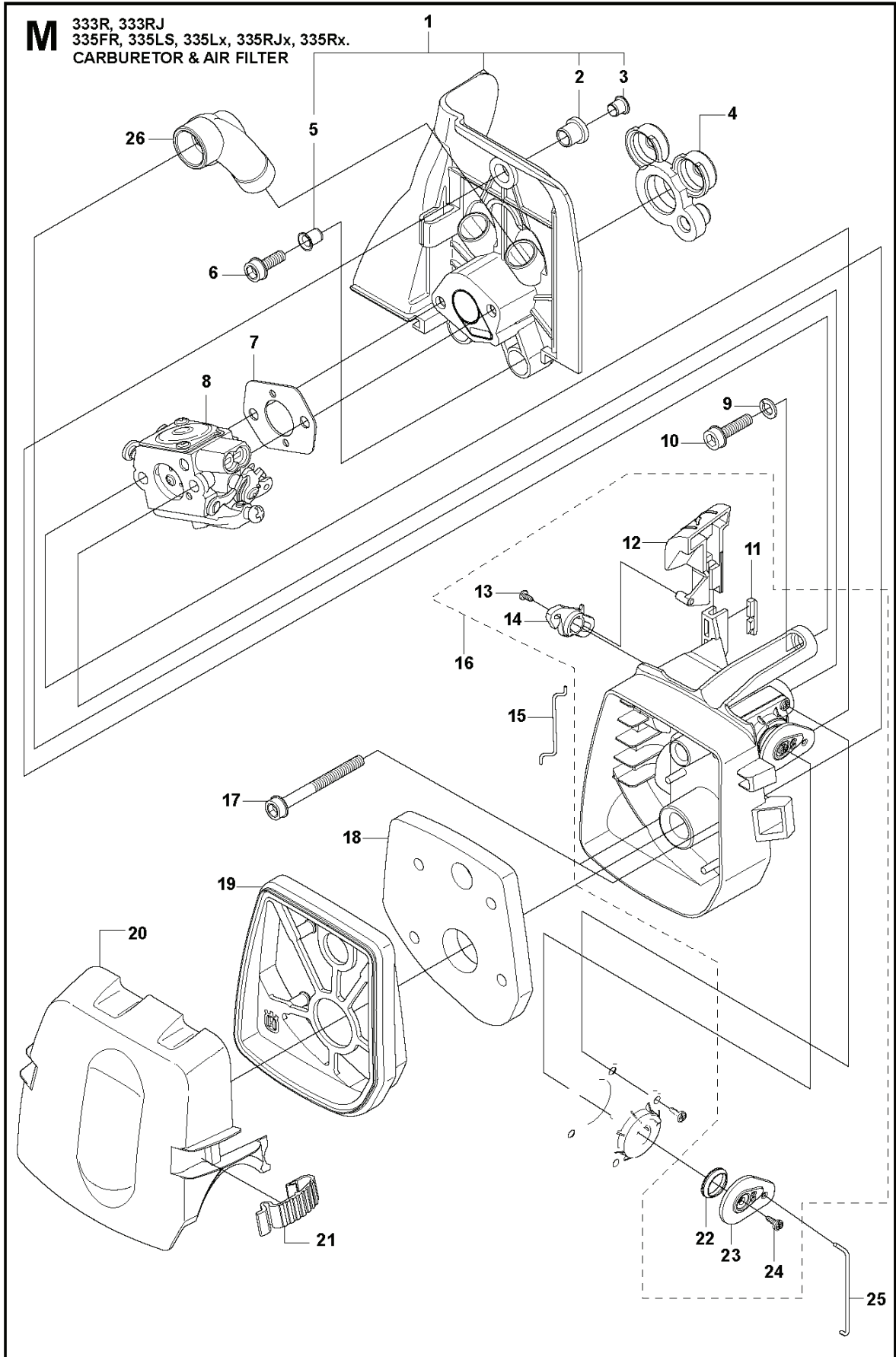
CYLINDER KIT

1



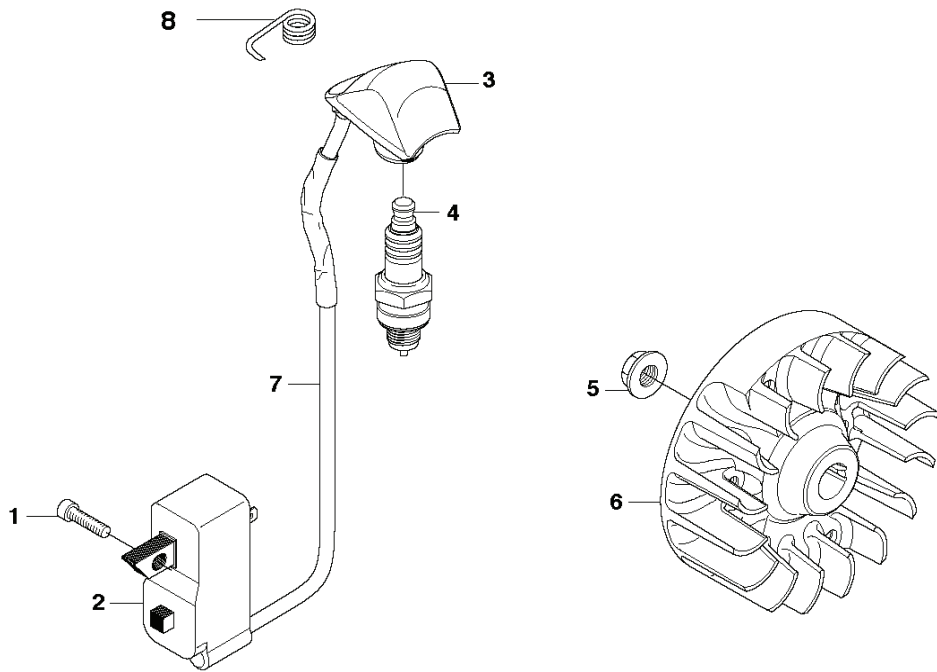
| REF. | ART. NR | ARTIKELBESKRIVNING | ANMÄRKNING | KIT |
|------|-----------|--------------------|------------|-----|
| 1 | 505411701 | SATS | | 1 |

M 333R, 333RJ
335FR, 335LS, 335Lx, 335RJx, 335Rx.
CARBURETOR & AIR FILTER



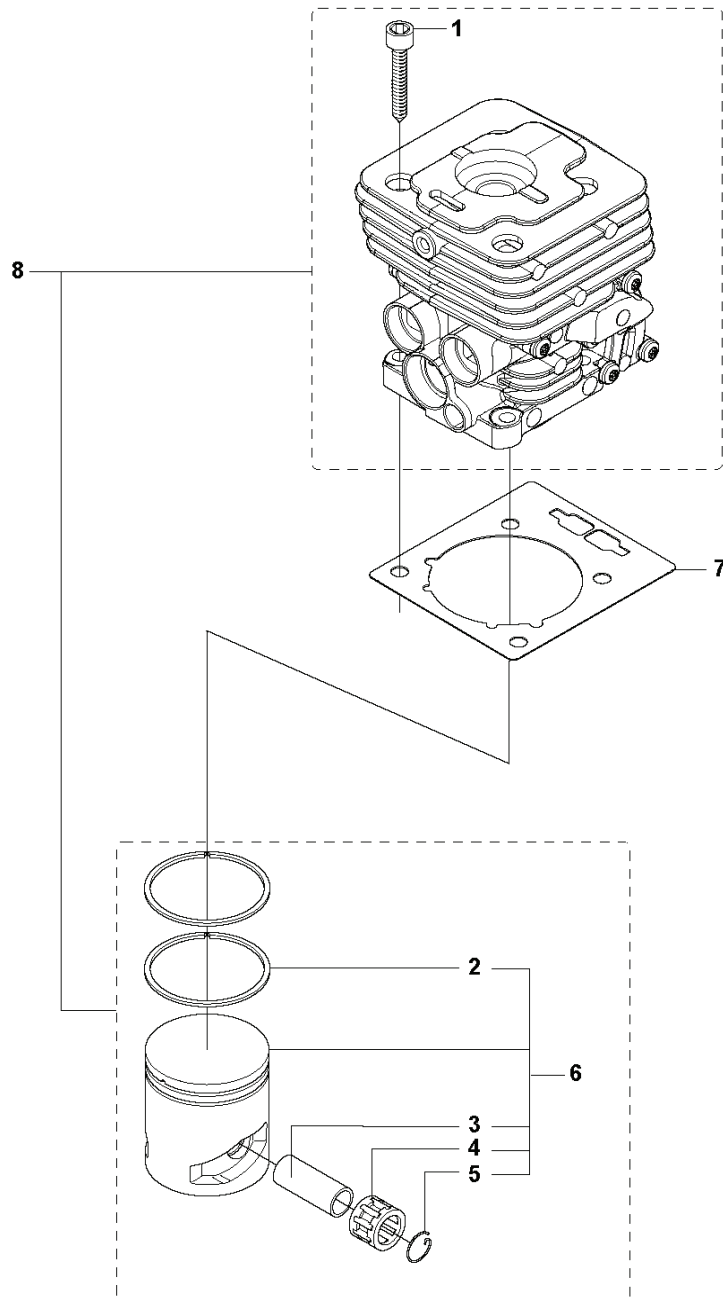
| REF. | ART. NR | ARTIKELBESKRIVNING | ANMÄRKNING | KIT |
|------|-----------|--------------------|------------|-----|
| 1 | 537371201 | MELLANVÄGG | | 1 |
| 2 | 537371101 | HYLSA | | 1 |
| 3 | 544019101 | TUBULAR RIVET | | 1 |
| 4 | 537334301 | INSUGSRÖR | | 1 |
| 5 | 537373803 | TUBULAR RIVET | | 2 |
| 6 | 503200316 | SKRUV IHSCFM | | 2 |
| 7 | 503497101 | PACKNING | | 1 |
| 8 | 581167501 | FÖRGASARE | | 1 |
| 9 | 503231006 | BRICKA | | 1 |
| 10 | 503200320 | SKRUV IHSCFM | | 1 |
| 11 | 544025801 | SVÄRD | | 1 |
| 12 | 537337101 | CHOKEREGLAGE | | 1 |
| 13 | 503212906 | SCREW CCRPANT | | 1 |
| 14 | 537355801 | HÄVARM | | 1 |
| 15 | 544372701 | LÄNKARM | | 1 |
| 16 | 537314101 | FILTERHÅLLARE | | 1 |
| 17 | 503217550 | SKRUV IHSCFT | | 2 |
| 18 | 537337201 | FILTER | | 1 |
| 19 | 537314201 | RAM | | 1 |
| 20 | 537314401 | FILTERLOCK | | 1 |
| 21 | 537387201 | SNÄPPE | | 2 |
| 22 | 544014701 | BÄLG | | 1 |
| 23 | 544014601 | HÄVARM | | 1 |
| 24 | 503212906 | SCREW CCRPANT | | 1 |
| 25 | 537349001 | HÄVARM | | 1 |
| 26 | 537341301 | LUFTKANAL | | 1 |

N 333R, 333RJ
335FR, 335LS, 335Lx, 335RJx, 335Rx.
IGNITION



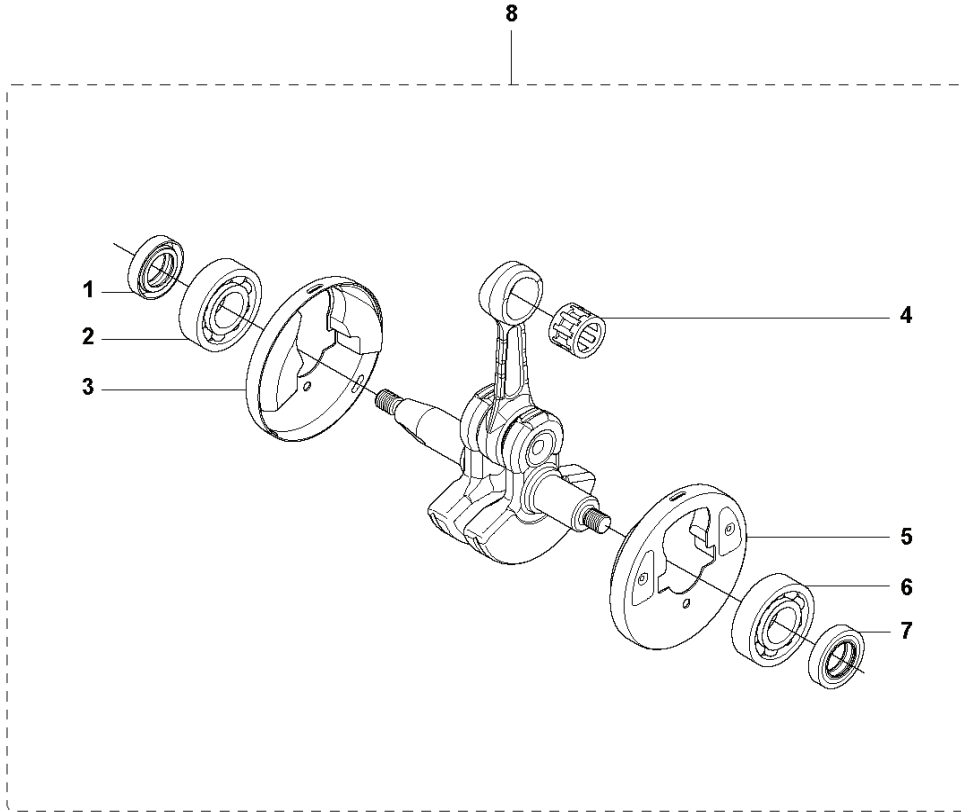
| REF. | ART. NR | ARTIKELBESKRIVNING | ANMÄRKNING | KIT |
|------|-----------|--------------------|--------------------|-----|
| 1 | 503216618 | SKRUV IHSCT | | 2 |
| 2 | 544127001 | TÄNDMODUL | CPL | 1 |
| 3 | 537434301 | TÄNDSTIFTSSKYDD | | 1 |
| 4 | 503235109 | TÄNDSTIFT | CH RCJ6Y (Ø=14 mm) | 1 |
| 5 | 731711651 | HEXAGON NUT FLANGE | | 1 |
| 6 | 537249601 | SVÄNGHJUL | | 1 |
| 7 | 501531601 | KABEL | CABLE ONLY | 2 |
| 8 | 537239301 | KONTAKTJÄDER | | 1 |

P 333R, 333RJ
335FR, 335LS, 335Lx, 335RJx, 335Rx.
CYLINDER PISTON



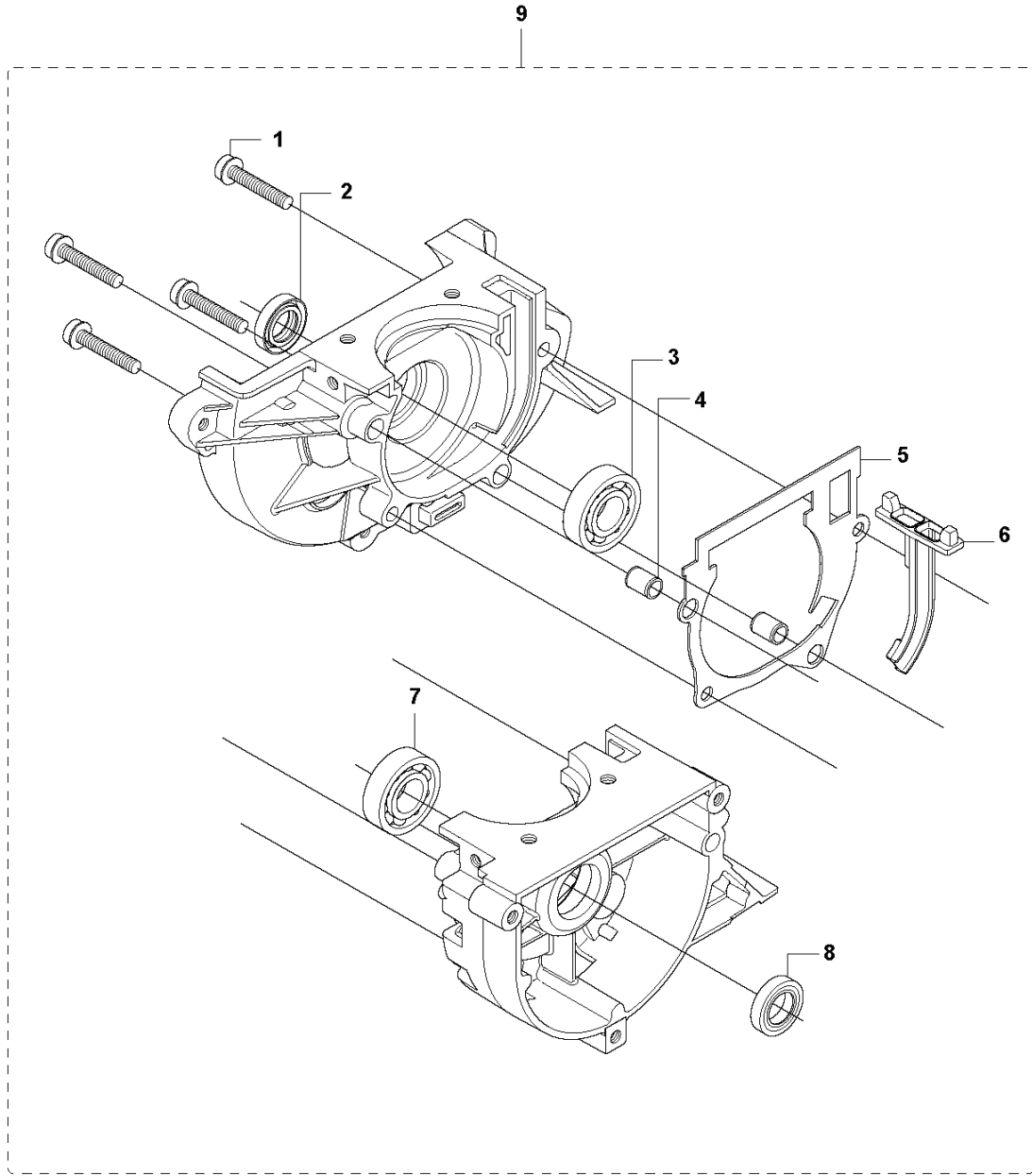
| REF. | ART. NR | ARTIKELBESKRIVNING | ANMÄRKNING | KIT |
|------|-----------|--------------------|-----------------------|-----|
| 1 | 503200823 | SKRUV IHSCM | | 4 |
| 2 | 503289054 | KOLVRING | | 2 |
| 3 | 503289119 | KOLVBULT | | 1 |
| 4 | 503414101 | NÄLLAGER | | 1 |
| 5 | 737441000 | LÅSRING | | 2 |
| 6 | 585998301 | KOLV KPL | | 1 |
| 7 | 537333001 | PACKNING | | 1 |
| 8 | 544400601 | CYLINDER KPL | Ø = 38mm.574 36 43-01 | 1 |

Q 333R, 333RJ
335FR, 335LS, 335Lx, 335RJx, 335Rx.
CRANK SHAFT



| REF. | ART. NR | ARTIKELBESKRIVNING | ANMÄRKNING | KIT |
|------|-----------|--------------------|------------|-----|
| 1 | 503260202 | SEALING RING | | 1 |
| 2 | 738210110 | KULLAGER | | 1 |
| 3 | 537297601 | KOPP | | 1 |
| 4 | 503414101 | NÄLLAGER | | 1 |
| 5 | 537297601 | KOPP | | 1 |
| 6 | 738210110 | KULLAGER | | 1 |
| 7 | 503260202 | SEALING RING | | 1 |
| 8 | 544039001 | VEVAXEL KPL | | 1 |

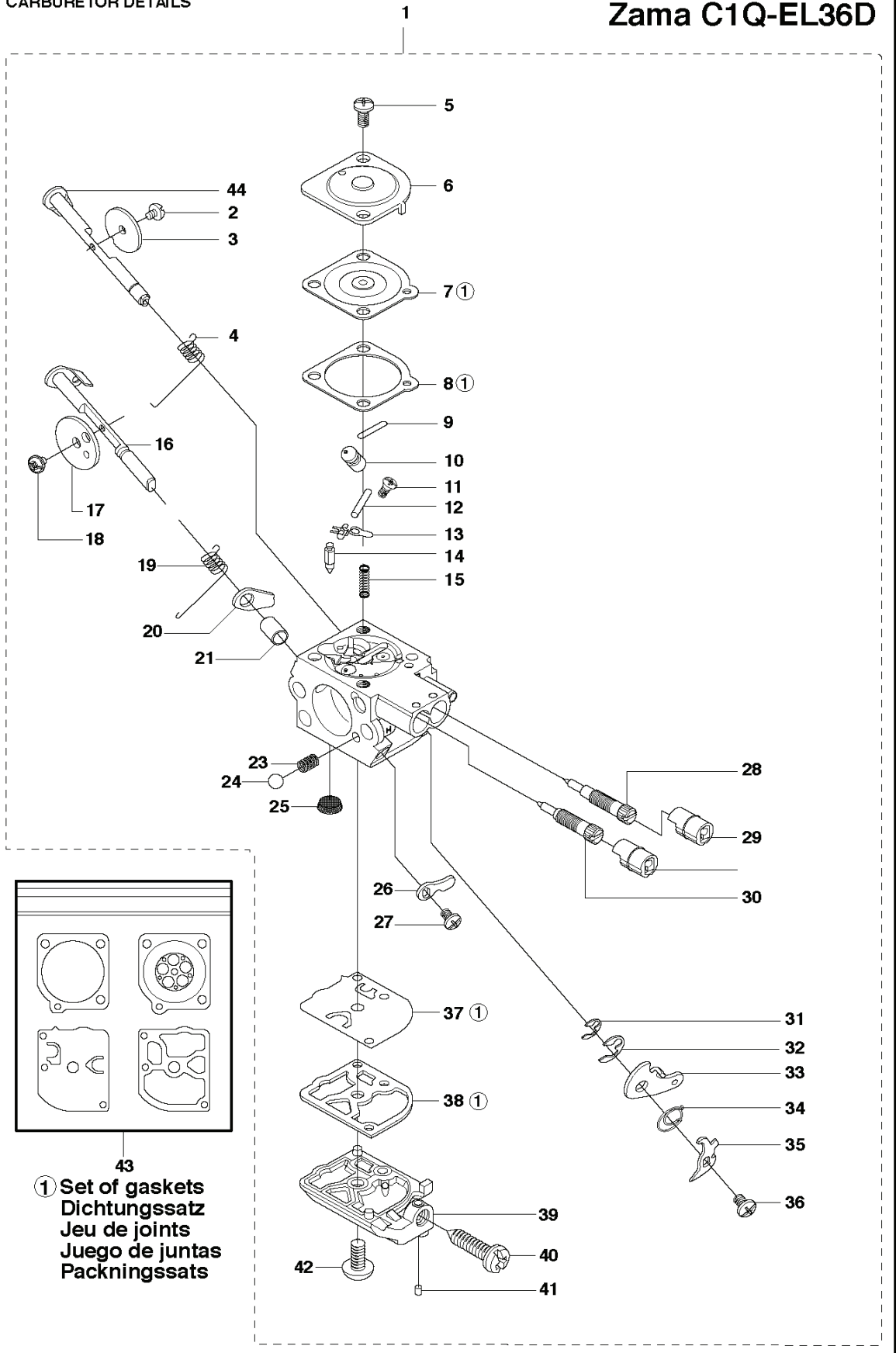
R 333R, 333RJ
335FR, 335LS, 335Lx, 335RJx, 335Rx.
CRANK CASE



| REF. | ART. NR | ARTIKELBESKRIVNING | ANMÄRKNING | KIT |
|------|-----------|--------------------|------------|-----|
| 1 | 503200230 | SKRUV IHSCFM | | 4 |
| 2 | 503260202 | SEALING RING | | 1 |
| 3 | 738210110 | KULLAGER | | 1 |
| 4 | 501270801 | STYRHYLSA | | 2 |
| 5 | 593777601 | PACKNING | | 1 |
| 6 | 537324201 | INSATS | | 1 |
| 7 | 738210110 | KULLAGER | | 1 |
| 8 | 503260202 | SEALING RING | | 1 |
| 9 | 544038901 | VEVHUS KPL | | 1 |

CARBURETOR DETAILS

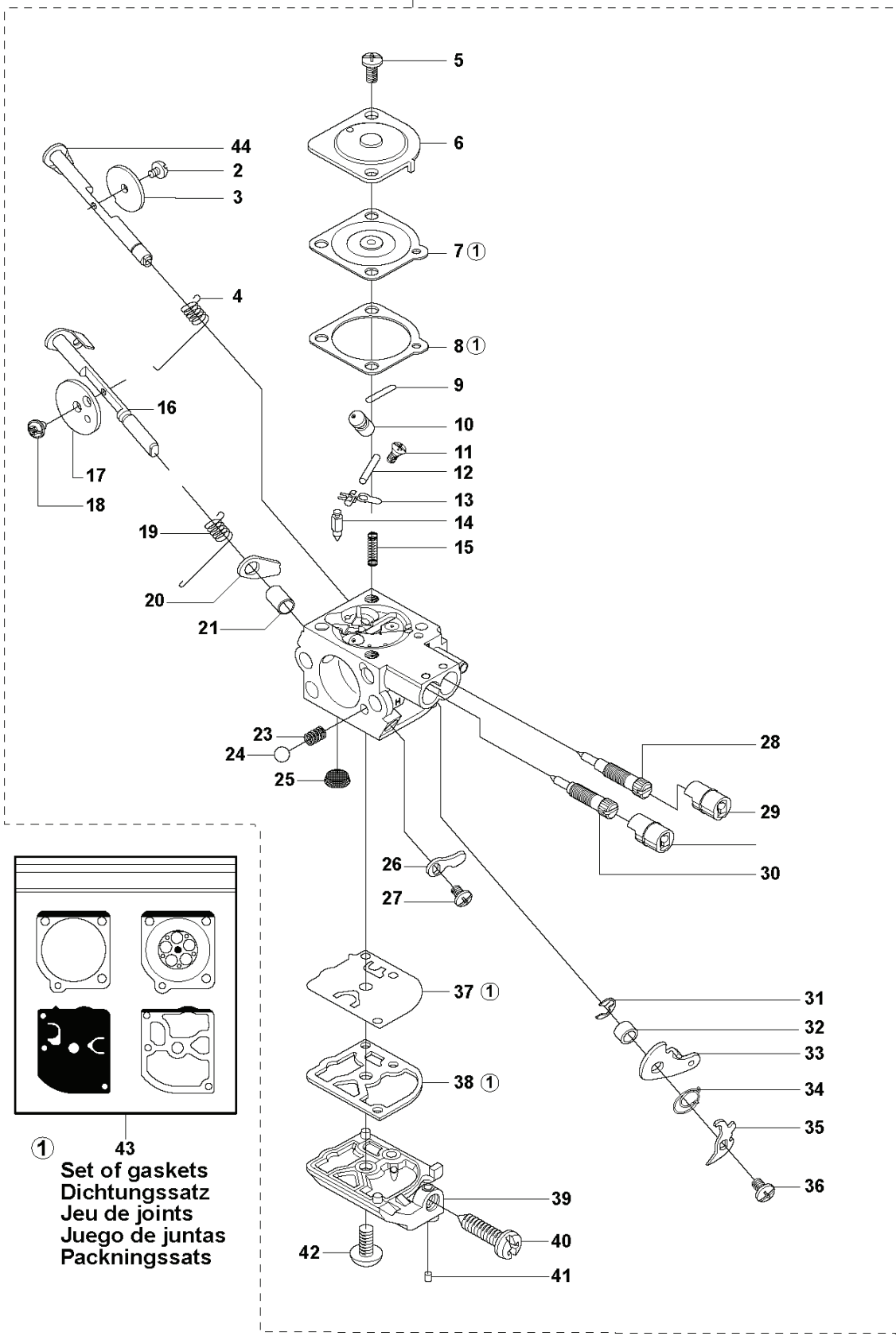
Zama C1Q-EL36D



| REF. | ART. NR | ARTIKELBESKRIVNING | ANMÄRKNING | KIT |
|------|-----------|---------------------|------------|-----|
| 1 | 581167501 | FÖRGASARE | | 1 |
| 2 | 503479201 | SCREW | | 1 |
| 3 | 537417201 | VENTIL | | 1 |
| 4 | 544372401 | FJÄDER | | 1 |
| 5 | 503480501 | SCREW | | 2 |
| 6 | 503974301 | KÅPA | | 1 |
| 7 | 537048901 | MEMBRAN | | 1 |
| 8 | 537020401 | PACKNING | | 1 |
| 9 | 503535601 | PLUG WELCH | | 1 |
| 10 | 581899501 | NOZZLE MAIN | | 1 |
| 11 | 503480101 | SCREW | | 1 |
| 12 | 503480001 | PIN RETAINING SCREW | | 1 |
| 13 | 503665901 | HÄVARM | | 1 |
| 14 | 503479701 | VENTIL | | 1 |
| 15 | 503478101 | FJÄDER | | 1 |
| 16 | 544372201 | AXEL KPL | | 1 |
| 17 | 537370301 | VENTIL | | 1 |
| 18 | 503481801 | SCREW | | 1 |
| 19 | 544372601 | FJÄDER | | 1 |
| 20 | 544372501 | HÄVARM | | 1 |
| 21 | 544427001 | KRAGE | | 1 |
| 23 | 537012601 | FJÄDER | | 1 |
| 24 | 537012501 | KJULA | | 1 |
| 25 | 503481301 | SIL | | 1 |
| 26 | 544372301 | HÄVARM | | 1 |
| 27 | 503479001 | SCREW | | 1 |
| 28 | 537416901 | SCREW | | 1 |
| 29 | 537417001 | LIMITER CAP | | 2 |
| 30 | 581899301 | SCREW | | 1 |
| 31 | 537385201 | KLÄMMA | | 1 |
| 32 | 537385001 | KLÄMMA | | 1 |
| 33 | 537417301 | HÄVARM | | 1 |
| 34 | 576746601 | FJÄDER | | 1 |
| 35 | 537417401 | HÄVARM | | 1 |
| 36 | 502078401 | SCREW | | 1 |
| 37 | 537020001 | DIAPHRAGM PUMP | | 1 |
| 38 | 537020101 | PACKNING | | 1 |
| 39 | 537416801 | KÅPA | | 1 |
| 40 | 537020701 | SCREW | | 1 |
| 41 | 503481101 | PIECE | | 1 |
| 42 | 503479601 | SCREW | | 1 |
| 43 | 531004552 | PACKNINGSSATS | | 1 |
| 44 | 544372101 | AXEL KPL | | 1 |

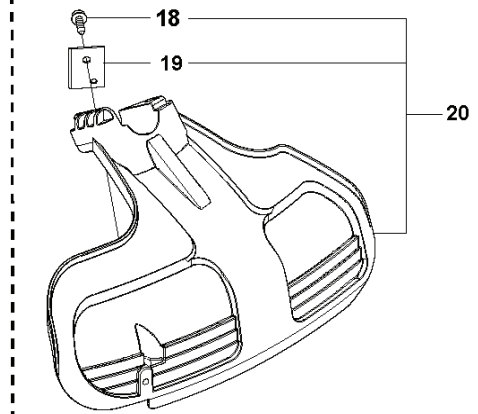
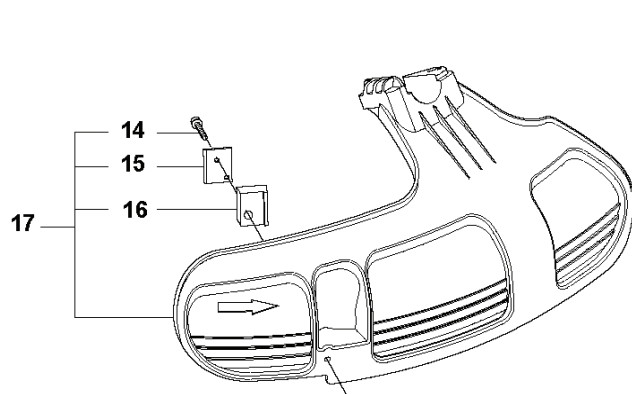
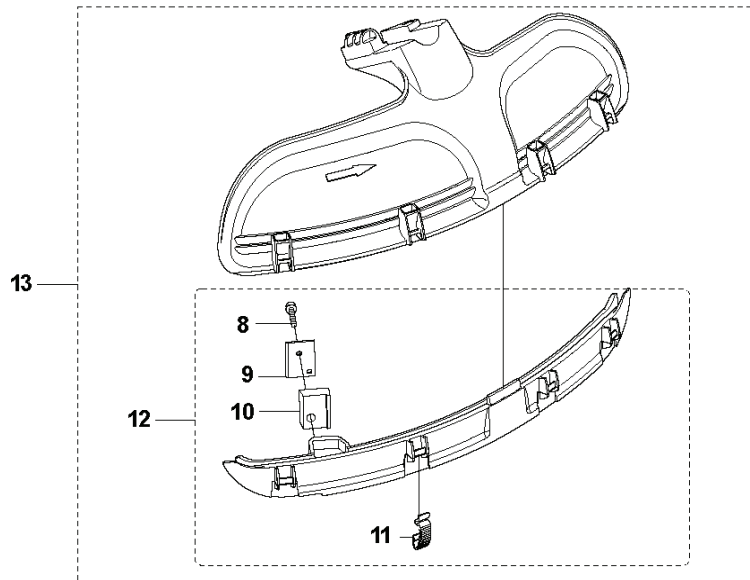
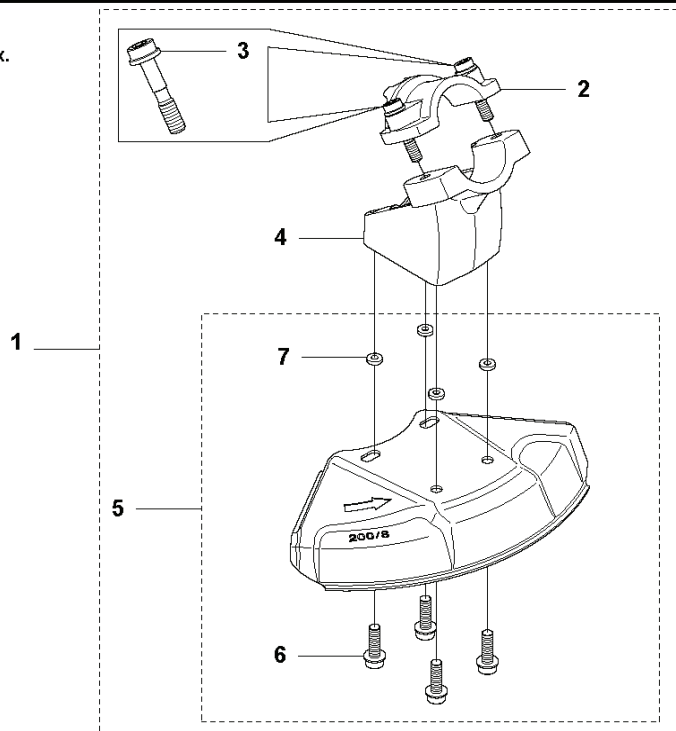
S

333R, 333RJ
 335FR, 335LS, 335Lx, 335RJx, 335Rx.
 CARBURETOR

Zama C1Q-EL36

| REF. | ART. NR | ARTIKELBESKRIVNING | ANMÄRKNING | KIT |
|------|-----------|----------------------|------------|-----|
| 1 | 544325601 | FÖRGASARE | | 1 |
| 2 | 503479201 | SCREW | | 1 |
| 3 | 537417201 | VENTIL | | 1 |
| 4 | 544372401 | FJÄDER | | 1 |
| 5 | 503480501 | SCREW | | 2 |
| 6 | 503974301 | KÅPA | | 1 |
| 7 | 537048901 | MEMBRAN | | 1 |
| 8 | 537020401 | PACKNING | | 1 |
| 9 | 503535601 | PLUG WELCH | | 1 |
| 10 | 537387301 | NOZZLE ASSY | | 1 |
| 11 | 503480101 | SCREW | | 1 |
| 12 | 503480001 | PIN RETAINING SCREW | | 1 |
| 13 | 503665901 | HÄVARM | | 1 |
| 14 | 503479701 | VENTIL | | 1 |
| 15 | 537020301 | FJÄDER | | 1 |
| 16 | 544372201 | AXEL KPL | | 1 |
| 17 | 537021101 | VENTIL | | 1 |
| 18 | 503481801 | SCREW | | 1 |
| 19 | 544372601 | FJÄDER | | 1 |
| 20 | 544372501 | HÄVARM | | 1 |
| 21 | 544427001 | KRAGE | | 1 |
| 23 | 537012601 | FJÄDER | | 1 |
| 24 | 537012501 | KJULA | | 1 |
| 25 | 503481301 | SIL | | 1 |
| 26 | 544372301 | HÄVARM | | 1 |
| 27 | 503479001 | SCREW | | 1 |
| 28 | 537416901 | SCREW | | 1 |
| 29 | 537417001 | LIMITER CAP | | 2 |
| 30 | 537387501 | SCREW | | 1 |
| 31 | 537385201 | KLÄMMA | | 1 |
| 32 | 537417701 | KRAGE | | 1 |
| 33 | 537417301 | HÄVARM | | 1 |
| 34 | 537417801 | SPRING THROTT.RETURN | | 1 |
| 35 | 537417401 | HÄVARM | | 1 |
| 36 | 503479001 | SCREW | | 1 |
| 37 | 537020001 | DIAPHRAGM PUMP | | 1 |
| 38 | 537020101 | PACKNING | | 1 |
| 39 | 537416801 | KÅPA | | 1 |
| 40 | 537020701 | SCREW | | 1 |
| 41 | 503481101 | PIECE | | 1 |
| 42 | 503479601 | SCREW | | 1 |
| 43 | 531004552 | PACKNINGSSATS | | 1 |
| 44 | 537387401 | AXEL KPL | | 1 |

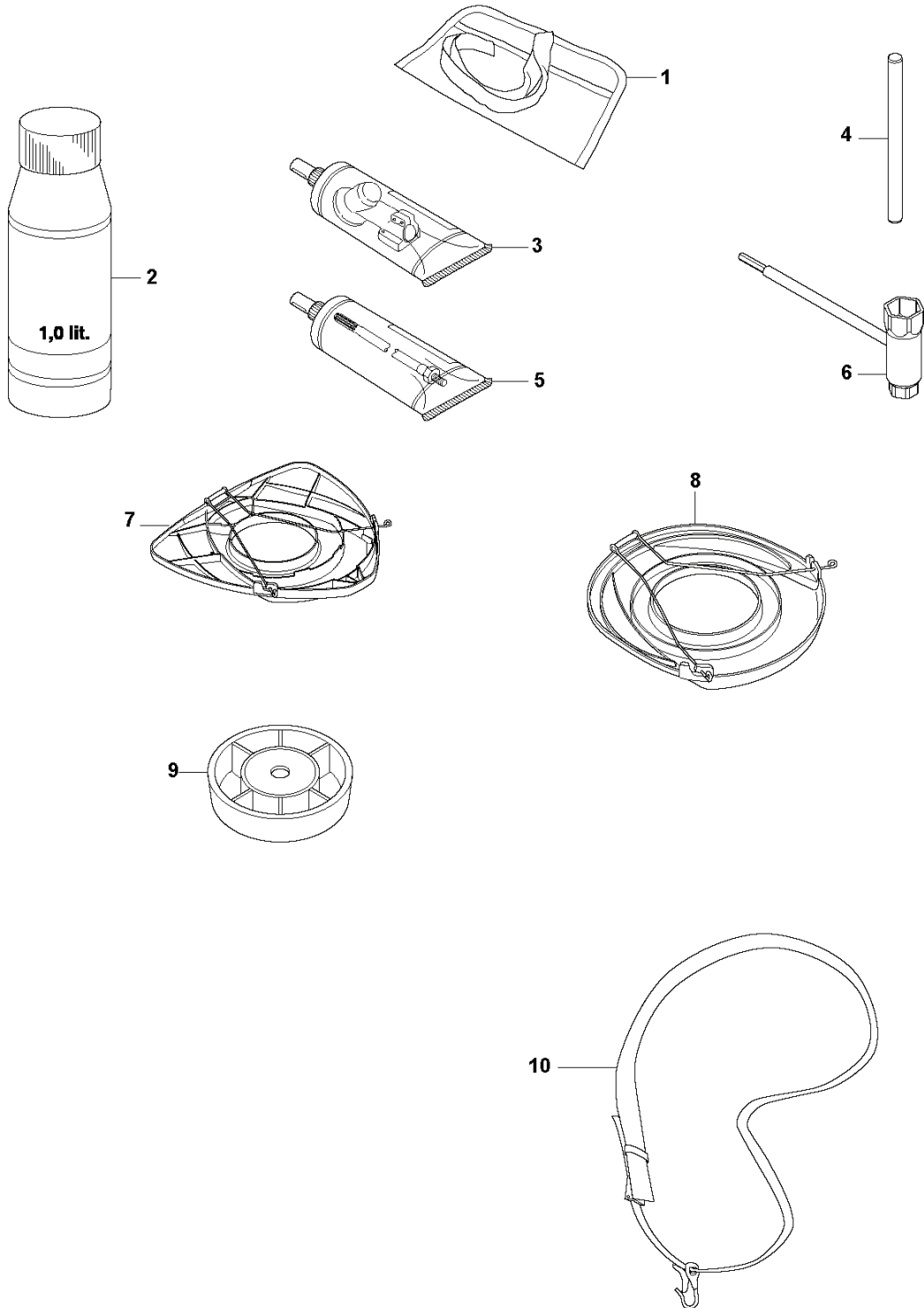
T 333R, 333RJ
335FR, 335LS, 335Lx, 335RJx, 335Rx.
ACCESSORIES



| REF. | ART. NR | ARTIKELBESKRIVNING | ANMÄRKNING | KIT |
|------|-----------|--------------------|--------------------------------|-----|
| 1 | 501320401 | ADAPTER | Incl. Pos. 2-7 | 1 |
| 2 | 574530601 | ÖVERFALL | Spare part incl. Screws Pos. 3 | 1 |
| 3 | 573994304 | SKRUV IHSCFMO | Captive Screw M5 | 2 |
| 4 | 501320801 | ADAPTER | | 1 |
| 5 | 574532601 | KLINGSKYDD | Incl. Pos. 6-7 | 1 |
| 6 | 503200216 | SKRUV IHSCFM | | 4 |
| 7 | 574039501 | LOCK NUT | | 4 |
| 8 | 503210716 | SKRUV IH SCT | 333R, 335Rx | 1 |
| 8 | 503216825 | SKRUV IHSCFT | 333RJ, 335RJx, 335Lx, 335LS | 1 |
| 9 | 503798801 | KNIV | | 1 |
| 10 | 544124501 | HÅLLARE | 33RJ, 335RJx, 335Lx, 335LS | 1 |
| 11 | 537387201 | SNÄPPE | | 4 |
| 12 | 537396303 | SPRUTSKYDD | 333RJ, 335RJx, 335Lx, 335LS | 1 |
| 12 | 537396301 | SPRUTSKYDD | 333R, 335Rx | 1 |
| 13 | 537331601 | KOMBINATIONSSKYDD | 333R, 335Rx | 1 |
| 13 | 537331603 | SPRUTSKYDD | 333RJ, 335Lx, 335RJx, 335LS | 1 |
| 14 | 503216825 | SKRUV IHSCFT | 333RJ, 335RJx, 335Lx, 335LS | 1 |
| 15 | 503798801 | KNIV | | 1 |
| 16 | 544124501 | HÅLLARE | 33RJ, 335RJx, 335Lx, 335LS | 1 |
| 17 | 537349403 | TRIMSKYDD KPL | | 1 |
| 18 | 503216825 | SKRUV IHSCFT | 333RJ, 335RJx, 335Lx, 335LS | 1 |
| 19 | 503798801 | KNIV | | 1 |
| 20 | 502448101 | TRIMSKYDD KPL | | 1 |

U

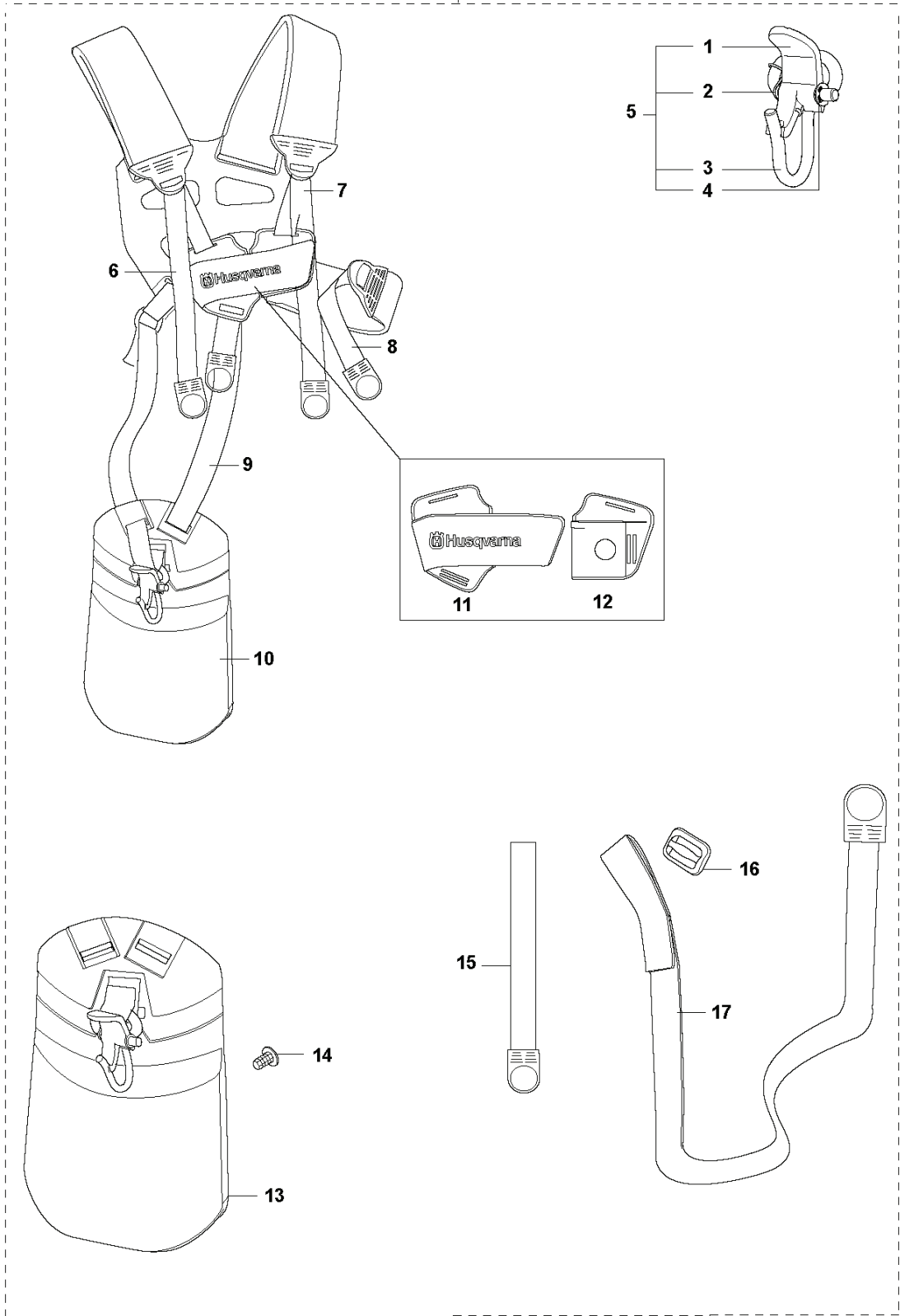
333R, 333RJ
335FR, 335LS, 335Lx, 335RJx, 335Rx.
ACCESSORIES



| REF. | ART. NR | ARTIKELBESKRIVNING | ANMÄRKNING | KIT |
|------|-----------|--------------------|---------------|-----|
| 1 | 501192201 | VERKTYG | | 1 |
| 2 | 531009248 | FILTEROLJA | Oil Airfilter | 1 |
| 3 | 503976401 | FETT | | 1 |
| 4 | 502285901 | STOPP | | 1 |
| 5 | 503801701 | FETT | | 1 |
| 6 | 537362101 | KOMBINYCKEL | | 1 |
| 7 | 544359101 | TRANSPORTSKYDD | | 1 |
| 8 | 537312901 | TRANSPORTSKYDD | 200-275 mm | 1 |
| 9 | 503890102 | STÖDKOPP | | 1 |
| 10 | 537216201 | SELE | | 1 |
| 10 | 537216202 | SELE | USA | 1 |

V 333R, 333RJ
335FR, 335LS, 335Lx, 335RJx, 335Rx.
HARNESS

18



| REF. | ART. NR | ARTIKELBESKRIVNING | ANMÄRKNING | KIT |
|------|-----------|--------------------|----------------|-----|
| 1 | 502023002 | LÅS | | 1 |
| 2 | 586341001 | FJÄDER | | 1 |
| 3 | 502022902 | KROK | | 1 |
| 4 | 735310920 | SPÄRRYTTARE | | 1 |
| 5 | 502022805 | UPPHÅNGNINGSKROK | | 1 |
| 6 | 503996101 | BAND | | 1 |
| 7 | 503996101 | BAND | | 1 |
| 8 | 503996101 | BAND | | 1 |
| 9 | 503996103 | BAND | | 1 |
| 10 | 537275901 | HÖFTPUTA | | 1 |
| 11 | 537288401 | SPÄNNE | | 1 |
| 12 | 537288301 | SPÄNNE | | 1 |
| 13 | 537275901 | HÖFTPUTA | | 1 |
| 14 | 537175401 | HÖFTPUTA | | 3 |
| 15 | 503996101 | BAND | | 3 |
| 16 | 537113501 | HÅLLARE | | 1 |
| 17 | 503996103 | BAND | | 1 |
| 18 | 537275702 | SELE | Duo Balance | 1 |
| 18 | 537275704 | SELE | Duo Balance US | 1 |