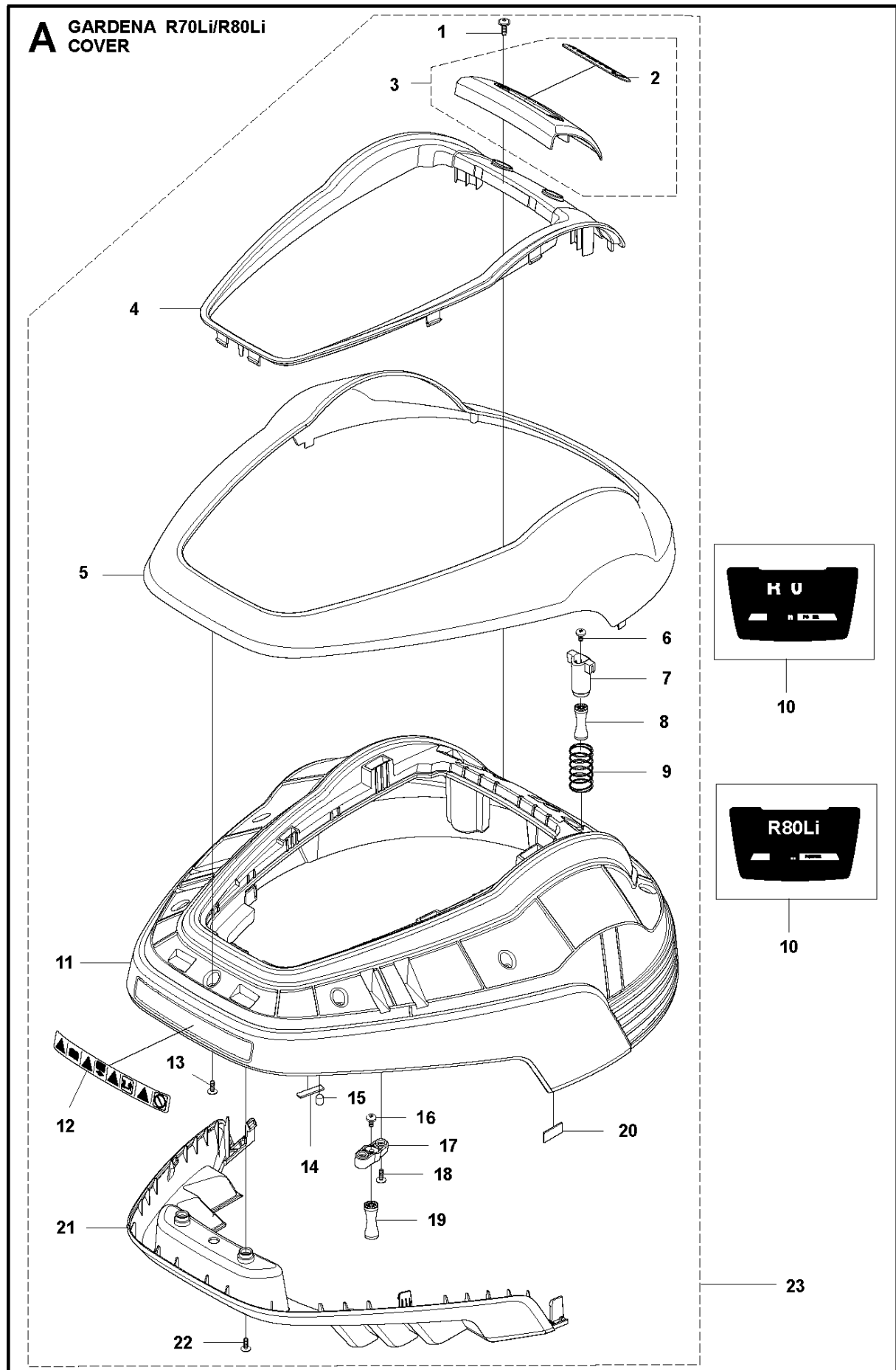




SPARE PARTS LIST

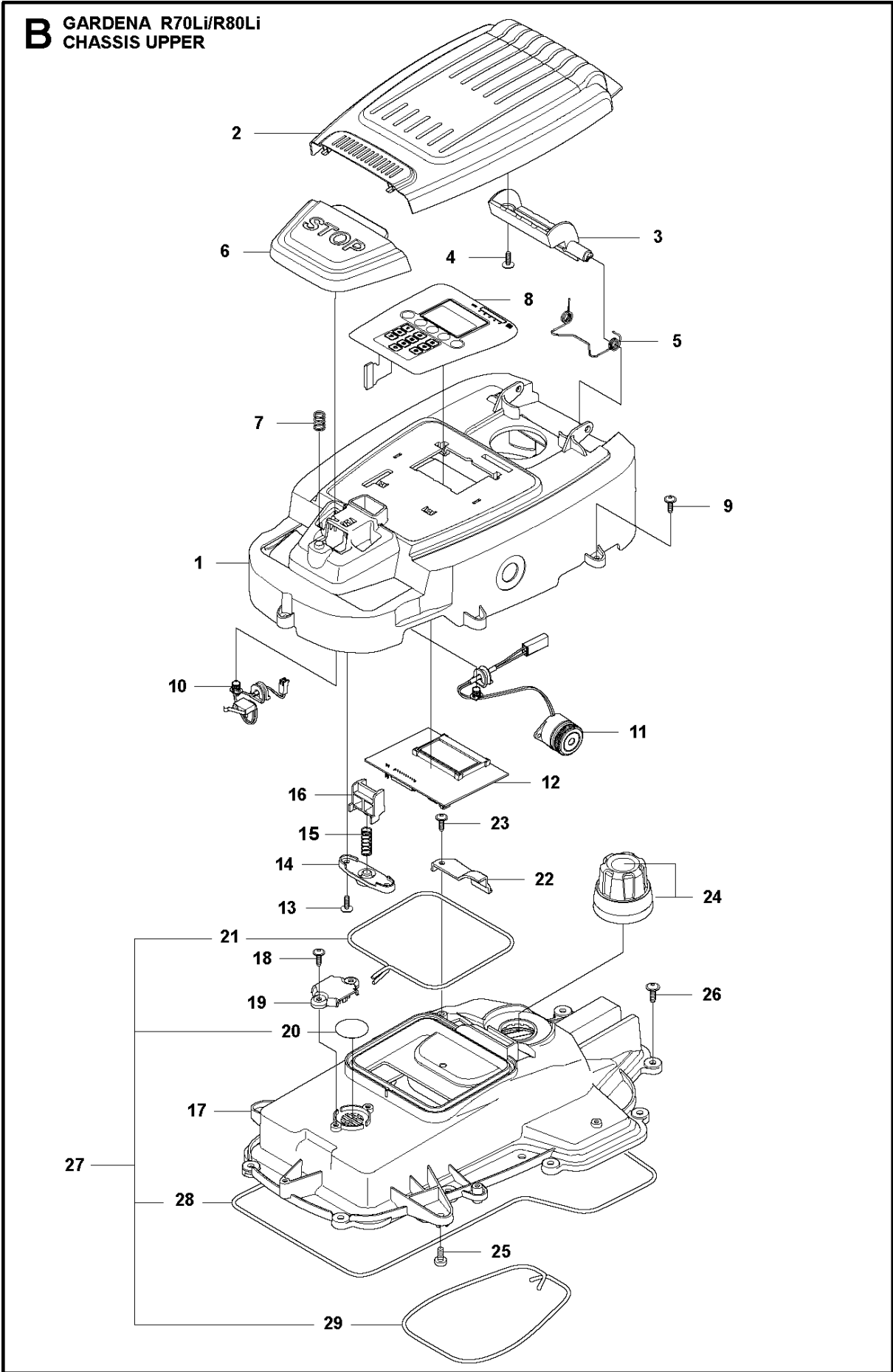
ROBOTIC LAWN MOWERS

R70Li, 2017-01

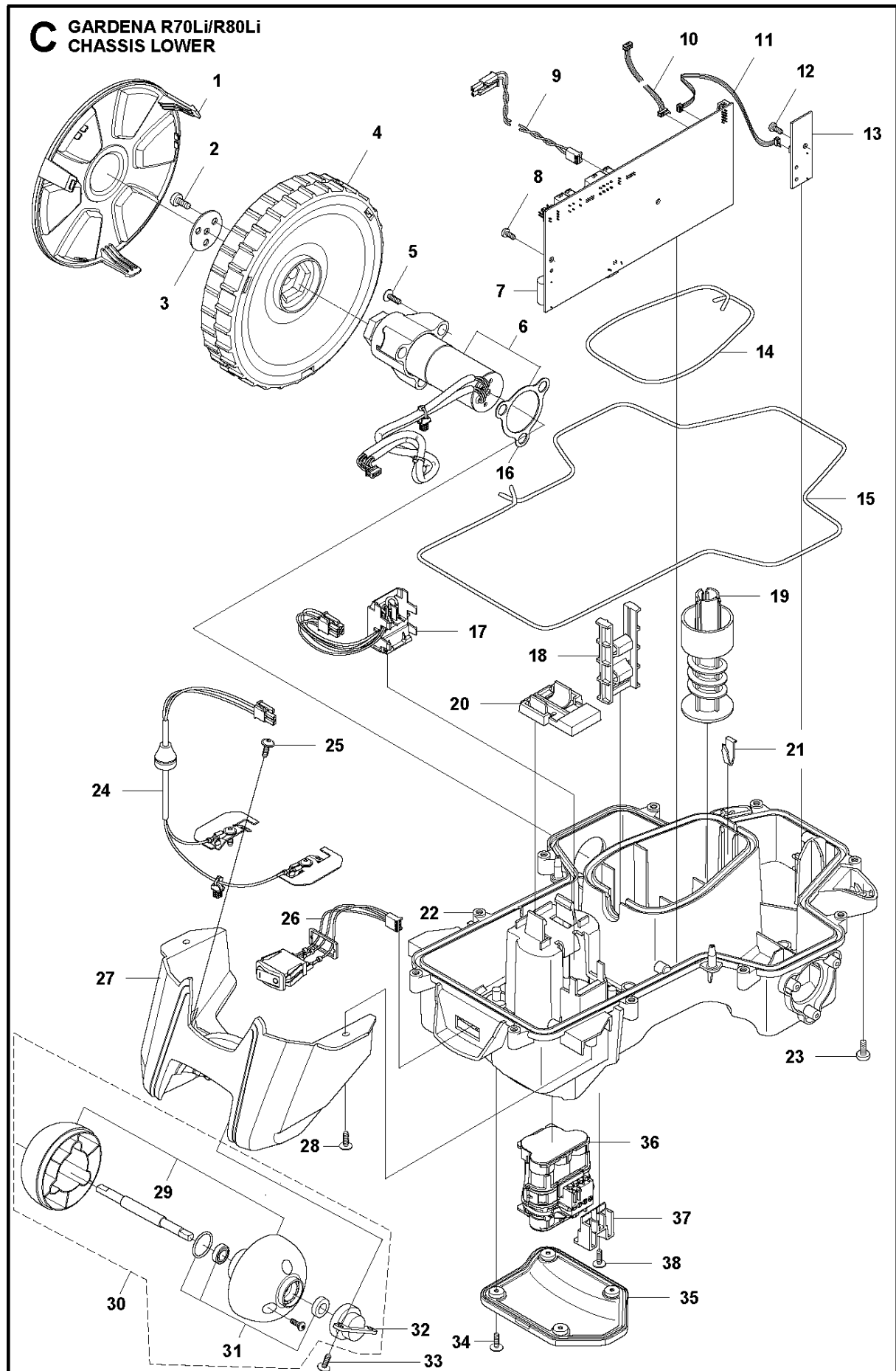


| Ref | Artikelnr | Beskrivning | Anmärkning | ANT SATS AL |
|-----|--------------|---------------|--|----------------|
| 1 | 575 54 33-14 | SCREW | Screw, Grey (14 mm) | 2 |
| 2 | 510 31 03-01 | LOGOTYP | Decal, Gardena Logotype | 1 |
| 3 | 579 39 21-05 | PLATE KIT | Logo Plate KIT incl. Sticker & Decal | 1 |
| 4 | 577 70 76-03 | RAM | Frame | 1 |
| 5 | 577 70 73-04 | KÅPA | Cover | 1 |
| 6 | 576 21 39-01 | SKRUV ITXPANM | Screw M5x12 | 2 |
| 7 | 574 46 90-02 | FÄSTE | Bracket, Lift Sensor | 2 |
| 8 | 574 46 91-02 | DAMPER | Rubber Damper | 2 |
| 9 | 574 48 51-02 | FJÄDER | Spring, Lift Sensor | 2 |
| 10 | 580 92 76-01 | DEKAL | Decal, R70Li | 1 |
| 10 | 587 04 35-02 | DEKAL | Decal, R80Li | 1 |
| 11 | 579 39 17-02 | KIT | Main Body | 1 |
| 12 | 586 35 97-01 | DEKAL | Warning Label | 1 |
| 13 | 575 54 33-14 | SCREW | Screw, Grey (14 mm) | 7 |
| 14 | 576 03 01-01 | PLATTA | Plate, Collision Sensor | 1 |
| 15 | 576 18 33-01 | MAGNET | Magnet, Collision Sensor | 1 |
| 16 | 576 21 39-01 | SKRUV ITXPANM | Screw M5x12 | 2 |
| 17 | 575 41 60-02 | SUPPORT CLAMP | Support Clamp | 2 |
| 18 | 575 54 33-14 | SCREW | Screw, Grey (14 mm) | 4 |
| 19 | 574 46 91-02 | DAMPER | Rubber Damper | 2 |
| 20 | 576 18 32-01 | MAGNET | Magnet, Lift Sensor | 1 |
| 21 | 577 70 65-02 | STÖTFÅNGARE | Bumper, Rear | 1 |
| 22 | 575 54 33-14 | SCREW | Screw, Grey (14 mm) | 2 |
| 23 | 577 95 53-12 | BODY SYSTEM | Cover KIT, Complete excl. Model Decal | 1 |

B GARDENA R70Li/R80Li
CHASSIS UPPER

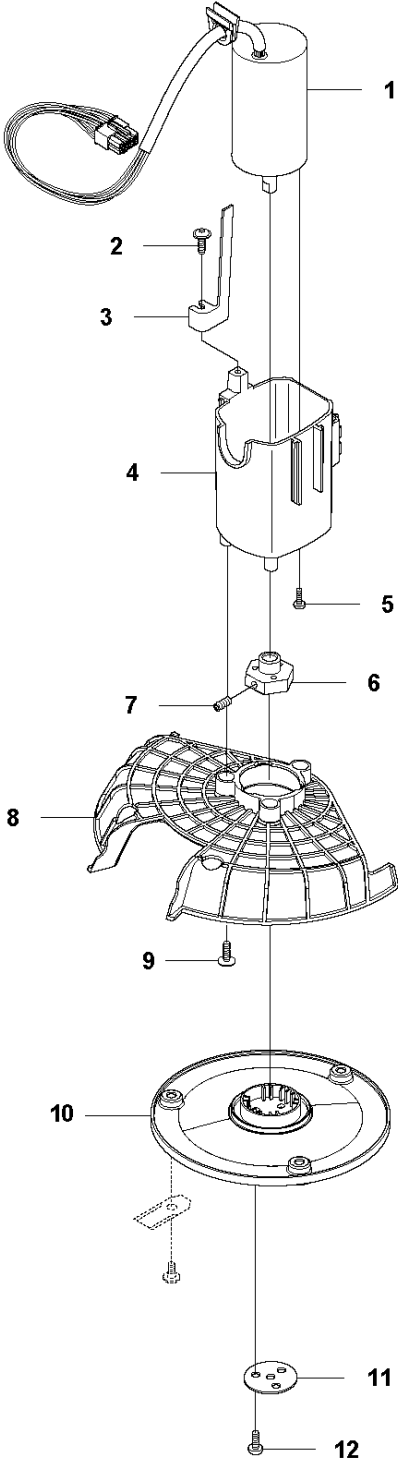


| Ref | Artikelnr | Beskrivning | Anmärkning | ANT SATS AL |
|-----|--------------|---------------|---|----------------|
| 1 | 579 39 19-02 | TÄCKLOCKSSATS | Display Cover KIT incl. Sealing & Keyboard | 1 |
| 2 | 577 70 72-03 | KÅPA | Cover, Height Adjustment | 1 |
| 3 | 577 70 78-01 | GÅNGJÄRN | Hinge, Height Adjustment Lid | 1 |
| 4 | 575 54 33-14 | SCREW | Screw, Grey (14 mm) | 2 |
| 5 | 578 44 52-01 | FJÄDER | Spring, Height Adjustment Lid | 1 |
| 6 | 577 70 66-01 | KNAPP | Stop Button | 1 |
| 7 | 574 48 70-01 | FJÄDER | Spring, Stop Button | 1 |
| 8 | 586 94 56-02 | TANGENTBORD | Keyboard | 1 |
| 9 | 575 54 33-14 | SCREW | Screw, Grey (14 mm) | 5 |
| 10 | 574 48 03-01 | BRYTARE | Micro Switch, Stop Button | 1 |
| 11 | 574 47 59-01 | BUZZER | Buzzer, Display Cover | 1 |
| 12 | 588 44 19-01 | KRETSKORT | Display/MMI, Circuit Board | 1 |
| 13 | 575 54 33-14 | SCREW | Screw, Grey (14 mm) | 2 |
| 14 | 575 41 58-01 | FJÄDERHÅLLARE | Spring Holder, Stop Button | 1 |
| 15 | 576 24 22-01 | FJÄDER | Spring Lock, Stop Button | 1 |
| 16 | 575 40 90-01 | LÅS | Lock, Stop Button | 1 |
| 17 | 579 39 20-02 | KIT | Chassis Upper KIT incl. Sealing & Air Filter | 1 |
| 18 | 575 54 33-14 | SCREW | Screw, Grey (14 mm) | 2 |
| 19 | 576 69 70-01 | KÅPA | Cover, Air Filter | 1 |
| 20 | 577 75 37-01 | KIT | Air Filter KIT (10 pcs) | 1 |
| 21 | 574 87 47-04 | TÄTNINGSLIST | Sealing Strip (1 pcs, 4 mm) | 1 |
| 22 | 576 05 39-01 | KÅPA | Cover, Height Indicator | 1 |
| 23 | 575 54 33-14 | SCREW | Screw, Grey (14 mm) | 1 |
| 24 | 579 39 22-01 | KIT | Knob, height adjustment KIT incl. Knob & Sticker | 1 |
| 25 | 576 21 39-01 | SKRUV ITXPANM | Screw | 2 |
| 26 | 574 45 01-01 | SKRUV ITXPANT | Screw | 10 |
| 27 | 588 40 70-01 | SEAL KIT | Seal KIT incl. Sealing Strip Chassis (1 pcs), Sealing Strip Short (2 pcs), Air Filter (1 pcs) | 1 |
| 28 | 574 87 47-03 | TÄTNINGSLIST | Sealing Strip, Chassis (1 pcs, 4 mm) | 1 |
| 29 | 574 87 47-04 | TÄTNINGSLIST | Sealing Strip (1 pcs, 4 mm) | 1 |

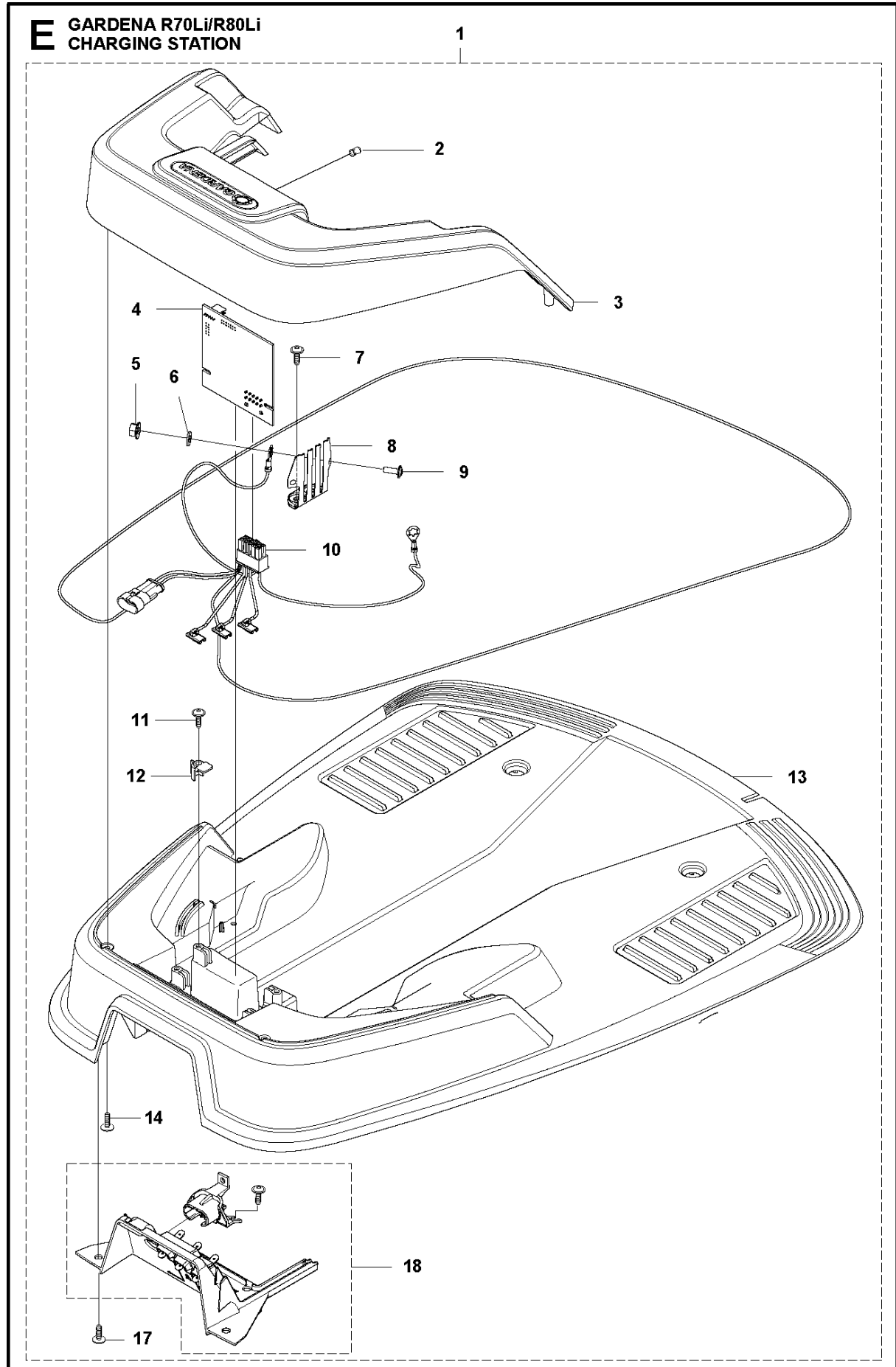


| Ref | Artikelnr | Beskrivning | Anmärkning | ANT SATS AL |
|-----|--------------|------------------|--|----------------|
| 1 | 577 70 79-01 | NAVKAPSEL | Hub Cap, Drive Wheel | 2 |
| 2 | 576 21 39-02 | SKRUV ITXPANM | Screw | 6 |
| 3 | 577 09 32-01 | BRICKA | Washer, Drive Wheel | 2 |
| 4 | 574 46 51-04 | HJUL | Wheel, Drive Wheel | 2 |
| 5 | 575 54 33-14 | SCREW | Screw, Grey (14 mm) | 6 |
| 6 | 577 83 99-04 | WHEEL MOTOR ASSY | Wheel Motor KIT incl. Sealing | 2 |
| 7 | 588 62 88-03 | KRETSKORT | Main Circuit Board (MCB) | 1 |
| 8 | 535 13 03-10 | SKRUV ITXPANT | Screw (10 mm) | 2 |
| 9 | 576 22 02-01 | LOOM | Loom, Buzzer Extension | 1 |
| 10 | 588 83 27-01 | KABLAGE KPL | Loom, Display | 1 |
| 11 | 588 90 12-01 | KABLAGE KPL | Loom, Loop and Lift Sensor | 1 |
| 12 | 535 13 03-10 | SKRUV ITXPANT | Screw (10 mm) | 1 |
| 13 | 588 57 21-01 | KRETSKORT | PCB Sensor Board | 1 |
| 14 | 574 87 47-04 | TÄTNINGSLIST | Sealing Strip (1 pcs, 4 mm) | 1 |
| 15 | 574 87 47-03 | TÄTNINGSLIST | Sealing Strip, Chassis (1 pcs, 4 mm) | 1 |
| 16 | 574 37 37-01 | PACKNING | Sealing/Gasket, Motor Flange | 2 |
| 17 | 574 47 98-01 | LOOM | Loom, Li-Ion Battery | 1 |
| 18 | 574 50 19-01 | STYRSKENA | Guide Rail, Motor Bowl | 2 |
| 19 | 574 48 46-01 | SCREW | Height Adjustment Screw | 1 |
| 20 | 575 40 82-01 | LÅS | Lock, Battery Plug | 1 |
| 21 | 577 10 32-01 | LÅSFJÄDER | Locking Spring | 1 |
| 22 | 577 84 62-03 | CHASSI | Chassis Lower KIT incl. Sealing | 1 |
| 23 | 576 21 39-01 | SKRUV ITXPANM | Screw | 2 |
| 24 | 588 95 09-01 | KABLAGE KPL | Loom, Charging Plate | 1 |
| 25 | 575 52 95-02 | SKRUV ITXPANTT | Screw, Grey (14 mm) | 2 |
| 26 | 579 70 87-01 | KABLAGE KPL | Swith ON/OFF with Seal | 1 |
| 27 | 574 46 72-02 | HUS | Housing, Rear Wheel | 1 |
| 28 | 575 54 33-14 | SCREW | Screw, Grey (14 mm) | 3 |
| 29 | 583 85 39-02 | BAKHJUL | Rear Wheel KIT | 1 |
| 30 | 578 27 51-03 | BAKHJUL | Rear Wheel KIT Complete | 1 |
| 31 | 578 27 52-01 | BAKHJUL | Bearing (X2), Sealing (X2), O-Ring (X1) | 1 |
| 32 | 577 71 50-01 | LAGERHUS | Bearing Housing, Rear Wheel | 2 |
| 33 | 575 54 33-14 | SCREW | Screw, Grey (14 mm) | 4 |
| 34 | 574 45 01-01 | SKRUV ITXPANT | Screw | 4 |
| 35 | 589 58 61-01 | BATTERI | Cover, Battery | 1 |
| 36 | 586 57 62-01 | BATTERI | Battery, Lithium 18 v | 1 |
| 37 | 582 38 61-01 | FÄSTE | Bracket | 1 |
| 38 | 575 54 33-14 | SCREW | Screw, Grey (14 mm) | 1 |

D GARDENA R70Li/R80Li
BLADE MOTOR & CUTTING EQUIPMENT

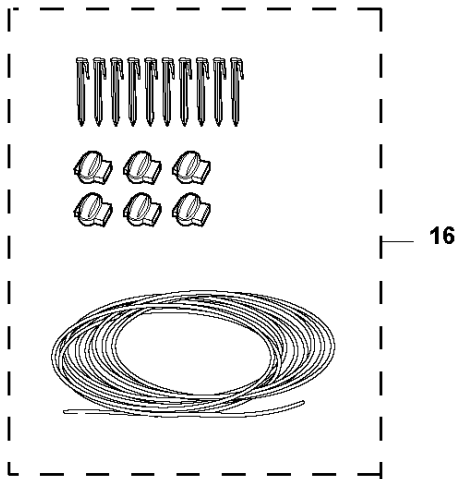
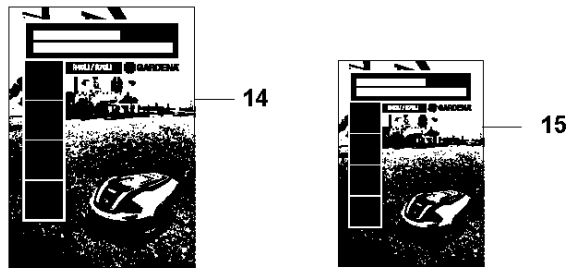
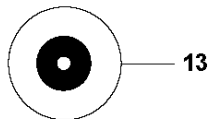
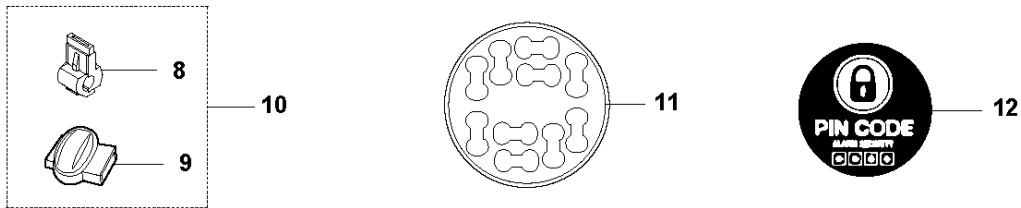
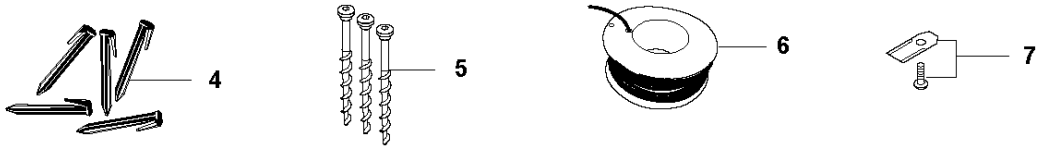
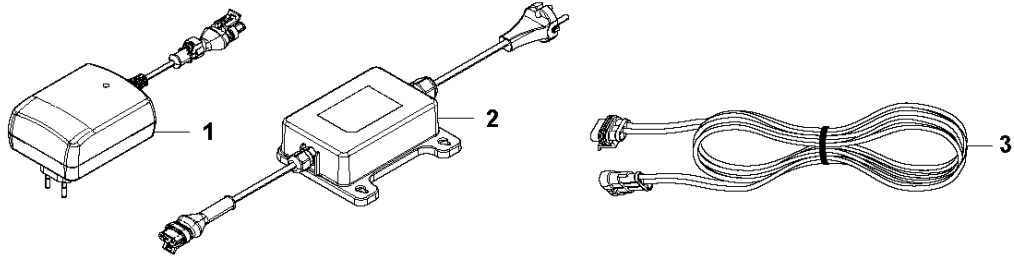


| Ref | Artikelnr | Beskrivning | Anmärkning | ANT SATS AL |
|-----|--------------|------------------|---------------------|----------------|
| 1 | 584 98 93-02 | MOTOR | Cutting Motor | 1 |
| 2 | 575 54 33-10 | SCREW | Screw, Grey (10 mm) | 1 |
| 3 | 574 50 35-01 | HEIGHT INDICATOR | Height Indicator | 1 |
| 4 | 581 02 03-01 | MOTORHUS | Motor Housing | 1 |
| 5 | 576 21 38-01 | SKRUV ITXPANM | Screw M4x12 | 3 |
| 6 | 574 37 35-01 | NAV | Hub, Cutting Motor | 1 |
| 7 | 576 21 35-01 | SKRUV IHSETM | Stop Screw | 1 |
| 8 | 579 75 83-01 | SKYDD | Guard, Cutting Disc | 1 |
| 9 | 575 54 33-14 | SCREW | Screw, Grey (14 mm) | 3 |
| 10 | 574 48 71-01 | KNIVDISK | Cutting Disc | 1 |
| 11 | 577 09 32-01 | BRICKA | Washer | 1 |
| 12 | 576 21 38-01 | SKRUV ITXPANM | Screw | 3 |



| Ref | Artikelnr | Beskrivning | Anmärkning | ANT SATS AL |
|-----|--------------|--------------------|------------------------------------|----------------|
| 1 | 577 97 23-15 | LADDSTATION | Charging Station, Gardena | 1 |
| 2 | 535 12 87-02 | DIODLINS | Diode Lens | 1 |
| 3 | 584 61 83-02 | LADDSTATION | Charging Station Cover, Gardena | 1 |
| 4 | 582 87 62-01 | KRETSKORT | Circuit Board, Charging Station | 1 |
| 5 | 588 22 21-01 | HEXAGON NUT FLANGE | Nut Flange | 2 |
| 6 | 535 08 74-01 | BRICKA | Washer | 2 |
| 7 | 575 54 33-14 | SCREW | Screw, Grey (14 mm) | 2 |
| 8 | 587 12 51-01 | KONTAKT | Contacts, Charging Station | 2 |
| 9 | 588 22 22-01 | SKRUV ITXPANM | Screw | 2 |
| 10 | 582 38 10-01 | KABLAGE KPL | Loom, Charging Station | 1 |
| 11 | 575 54 33-14 | SCREW | Screw, Grey (14 mm) | 2 |
| 12 | 535 12 79-01 | FÄSTE | Bracket | 2 |
| 13 | 581 55 19-03 | LADDSTATION | Charging Station Base Plate | 1 |
| 14 | 575 54 33-14 | SCREW | Screw, Grey (14 mm) | 4 |
| 17 | 575 54 33-14 | SCREW | Screw, Grey (14 mm) | 4 |
| 18 | 582 35 64-01 | PANEL ASSY | Guide Cover, Charging Station | 1 |

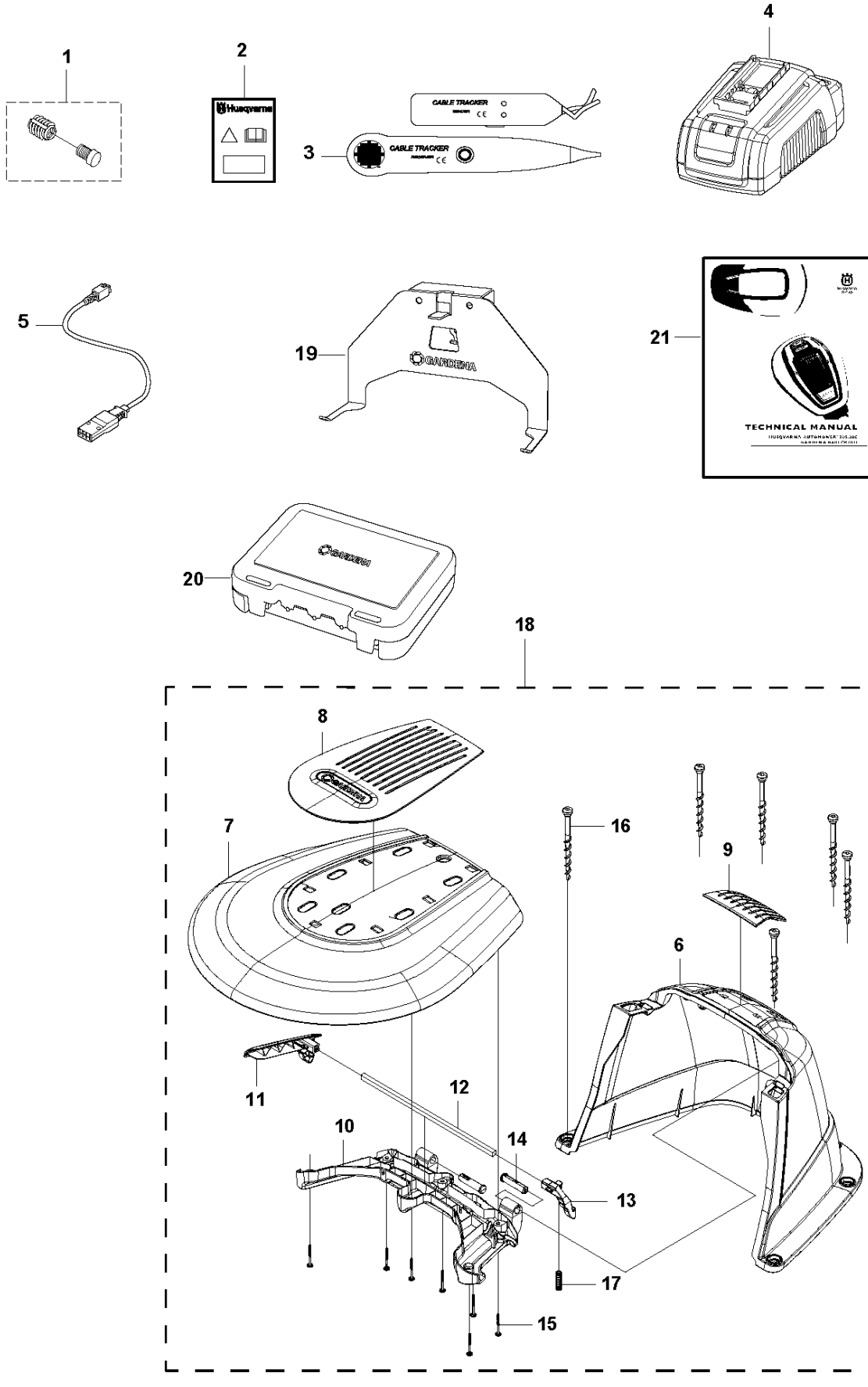
F GARDENA R70Li/R80Li
INSTALLATION ACCESSORIES



| Ref | Artikelnr | Beskrivning | Anmärkning | ANT SATS AL |
|-----|-------------------|----------------|--|----------------|
| 1 | 584 86 25-01 | DRIVENHET | Power Supply Unit, EU | 1 |
| 2 | 584 86 26-02 | DRIVENHET | Power Supply Unit, UK | 1 |
| 2 | 584 86 26-03 | DRIVENHET | Power Supply Unit, CH | 1 |
| 2 | 584 86 26-04 | DRIVENHET | Power Supply Unit, CA | 1 |
| 2 | 584 86 26-05 | DRIVENHET | Power Supply Unit, AU-NZ | 1 |
| 3 | 579 82 51-01 | KABLAGE KPL | Low Voltage Cable (20 m) | 1 |
| 3 | 579 82 51-02 | KABLAGE KPL | Low Voltage Cable (10 m) | 1 |
| 3 | 579 82 51-03 | KABLAGE KPL | Low Voltage Cable (3 m) | 1 |
| 4 | 966 80 98-01 | KLAMMER | Staples (100 pcs), Gardena Blister Pack | 1 |
| 4 | Gardena40902 0 | TBD | Staples (100 pcs), Gardena Blister Pack | 1 |
| 5 | 575 23 86-02 | SCREW KIT | Anchor Screw (3 pcs) incl. Allen Key | 1 |
| 6 | 967 10 48-01 | VAJER | Loop Wire 50 m, Gardena Blister Pack | 1 |
| 6 | Gardena40582 0 | TBD | Loop Wire 50 m, Gardena Blister Pack | 1 |
| 6 | 966 80 96-01 | VAJER | Loop Wire (150 m), Gardena Blister Pack | 1 |
| 6 | Gardena40882 0 | TBD | Loop Wire (150 m), Gardena Blister Pack | 1 |
| 7 | 966 80 95-01 | KNIV | Blades (9 pcs), Gardena Blister Pack | 1 |
| 7 | Gardena40872 0 | TBD | Blades (9 pcs), Gardena Blister Pack | 1 |
| 7 | 577 60 65-05 | BLADE SET | Long Life - Safety Blade, 45 pcs | 1 |
| 7 | 577 60 66-04 | BLADE SET | Long Life - Safety Blade, 300 pcs | 1 |
| 8 | 535 12 90-01 | KOPPLING | Loop Wire Connector (1pcs) | 1 |
| 9 | 501 98 02-01 | KOPPLING | Coupler (1pcs) | 1 |
| 9 | 501 98 02-02 | KOPPLING | Coupler KIT (50pcs) | 1 |
| 10 | 966 80 97-01 | KOPPLING | 2 Connectors+6 Couplers, Gardena Blister Pack | 1 |
| 10 | Gardena40892 0 | TBD | 2 Connectors+6 Couplers, Gardena Blister Pack | 1 |
| 10 | 579 04 81-01 | TILLBEHÖRSPÅSE | 5 Connectors+5 Couplers | 1 |
| 11 | 586 27 79-01 | ETIKETT | Sticker, Cable Markers (10 pcs) | 1 |
| 12 | 502 40 53-01 | DEKAL | Label, Anti-Theft | 1 |
| 13 | 578 90 91-05 | DVD | Installation DVD, Gardena | 1 |
| 14 | 115844301 | TBD | Operator's Manual, Swedish | 1 |
| 14 | 115844306 | TBD | Operator's Manual, Danish | 1 |
| 14 | 115844311 | TBD | Operator's Manual, Finnish | 1 |
| 14 | 115844321 | TBD | Operator's Manual, Norwegian | 1 |
| 14 | 115844326 | TBD | Operator's Manual, English | 1 |
| 14 | 115844331 | TBD | Operator's Manual, French | 1 |
| 14 | 115844336 | TBD | Operator's Manual, Dutch | 1 |
| 14 | 115844341 | TBD | Operator's Manual, Italian | 1 |
| 14 | 115844346 | TBD | Operator's Manual, Spanish | 1 |
| 14 | 115844351 | TBD | Operator's Manual, German | 1 |
| 14 | 115844358 | TBD | Operator's Manual, Hungarian | 1 |
| 14 | 115844359 | TBD | Operator's Manual, Portuguese | 1 |
| 14 | 115844361 | TBD | Operator's Manual, Polish | 1 |
| 14 | 115844368 | TBD | Operator's Manual, Slovakian | 1 |
| 14 | 115844384 | TBD | Operator's Manual, Slovenian | 1 |
| 14 | 115844390 | TBD | Operator's Manual, Czech | 1 |
| 15 | 115 84 37-01 | QUICK GUIDE | Quick Guide, Swedish | 1 |

| Ref | Artikelnr | Beskrivning | Anmärkning | ANT SATS AL |
|-----|-------------------|-----------------|---|----------------|
| 15 | 115843706 | TBD | Quick Guide, Danish | 1 |
| 15 | 115843711 | TBD | Quick Guide, Finnish | 1 |
| 15 | 115843721 | TBD | Quick Guide, Norwegian | 1 |
| 15 | 115843726 | TBD | Quick Guide, English | 1 |
| 15 | 115843731 | TBD | Quick Guide, French | 1 |
| 15 | 115843736 | TBD | Quick Guide, Dutch | 1 |
| 15 | 115843741 | TBD | Quick Guide, Italian | 1 |
| 15 | 115843746 | TBD | Quick Guide, Spanish | 1 |
| 15 | 115843751 | TBD | Quick Guide, German | 1 |
| 15 | 115843758 | TBD | Quick Guide, Hungarian | 1 |
| 15 | 115843759 | TBD | Quick Guide, Portuguese | 1 |
| 15 | 115843761 | TBD | Quick Guide, Polish | 1 |
| 15 | 115843768 | TBD | Quick Guide, Slovakian | 1 |
| 15 | 115843784 | TBD | Quick Guide, Slovenian | 1 |
| 15 | 115843790 | TBD | Quick Guide, Czech | 1 |
| 16 | 967 10 49-01 | REPARATIONSSATS | Boundary repair kit, 5m boundary wire, 6x connectors, 10x staples | 1 |
| 16 | Gardena40592 0 | TBD | Boundary repair kit, 5m boundary wire, 6x connectors, 10x staples | 1 |

G GARDENA R70/80Li
ACCESSORIES



| Ref | Artikelnr | Beskrivning | Anmärkning | ANT SATS AL |
|-----|---------------|------------------|------------------------------------|----------------|
| 1 | 581 16 57-01 | GÄNGINSATS | Metal Insert Repair KIT (4 pcs) | 1 |
| 2 | 580 68 95-02 | DEKAL | Warranty Seal 1pcs | 1 |
| 3 | 577 60 68-01 | TESTUTRUSTNING | Loop Wire Interruption Detector | 1 |
| 4 | 588 40 84-01 | LADDARE | Quick Charger with Battery Test | 1 |
| 5 | 588 20 26-01 | KABLAG KPL | Cable Quick Charger | 1 |
| 6 | 587 91 63-01 | TÄCKLOCKSSATS | Cover KIT Base | 1 |
| 7 | 587 91 64-01 | TÄCKLOCKSSATS | Cover KIT Lid | 1 |
| 8 | 586 69 44-01 | KÅPA | Cover Front Insert | 1 |
| 9 | 586 69 46-01 | KÅPA | Cover Rear Insert | 1 |
| 10 | 586 69 42-01 | BALK | Beam Hinge | 1 |
| 11 | 586 69 47-01 | HANDTAG | Handle Left | 1 |
| 12 | 585 32 41-02 | STÅNG | Steel Rod | 1 |
| 13 | 586 69 48-01 | SPÄRRHAKE | Latch Right | 1 |
| 14 | 585 34 15-01 | GÄNGJÄRNSPINNE | Hinge Pin | 2 |
| 15 | 575 54 33-14 | SCREW | Screw | 8 |
| 16 | 575 23 86-01 | SCREW KIT | Screw KIT | 1 |
| 17 | 580 51 14-01 | FJÄDER | Spring Cap | 1 |
| 18 | 586 80 17-01 | HUS | Gardena Housing | 1 |
| 19 | 967 10 46-01 | WALL HANGER | WALL HANGER | 1 |
| 19 | Gardena404220 | TBD | WALL HANGER | 1 |
| 20 | 967 10 45-01 | KOPPLING | Cable Connector Protection | 1 |
| 20 | Gardena405620 | TBD | Cable Connector Protection | 1 |
| 21 | 115 44 50-01 | VERKSTADSHANDBOK | TECHNICAL MANUAL, Swedish | 1 |
| 21 | 115 44 50-06 | VERKSTADSHANDBOK | TECHNICAL MANUAL, Danish | 1 |
| 21 | 115 44 50-11 | VERKSTADSHANDBOK | TECHNICAL MANUAL, Finnish | 1 |
| 21 | 115 44 50-21 | VERKSTADSHANDBOK | TECHNICAL MANUAL, Norwegian | 1 |
| 21 | 115 44 50-26 | VERKSTADSHANDBOK | TECHNICAL MANUAL, English | 1 |
| 21 | 115 44 50-31 | VERKSTADSHANDBOK | TECHNICAL MANUAL, French | 1 |
| 21 | 115 44 50-36 | VERKSTADSHANDBOK | TECHNICAL MANUAL, Dutch | 1 |
| 21 | 115 44 50-41 | VERKSTADSHANDBOK | TECHNICAL MANUAL, Italian | 1 |
| 21 | 115 44 50-46 | VERKSTADSHANDBOK | TECHNICAL MANUAL, Spanish | 1 |
| 21 | 115 44 50-51 | VERKSTADSHANDBOK | TECHNICAL MANUAL, German | 1 |
| 21 | 115 44 50-56 | VERKSTADSHANDBOK | TECHNICAL MANUAL, Russian | 1 |
| 21 | 115 44 50-58 | VERKSTADSHANDBOK | TECHNICAL MANUAL, Hungarian | 1 |
| 21 | 115 44 50-61 | VERKSTADSHANDBOK | TECHNICAL MANUAL, Polish | 1 |
| 21 | 115 44 50-62 | VERKSTADSHANDBOK | TECHNICAL MANUAL, Romanian | 1 |
| 21 | 115 44 50-63 | VERKSTADSHANDBOK | TECHNICAL MANUAL, Estonian | 1 |
| 21 | 115 44 50-64 | VERKSTADSHANDBOK | TECHNICAL MANUAL, Latvian | 1 |
| 21 | 115 44 50-65 | VERKSTADSHANDBOK | TECHNICAL MANUAL, Lithuanian | 1 |
| 21 | 115 44 50-71 | VERKSTADSHANDBOK | TECHNICAL MANUAL, Greek | 1 |
| 21 | 115 44 50-76 | VERKSTADSHANDBOK | TECHNICAL MANUAL, Turkish | 1 |
| 21 | 115 44 50-81 | VERKSTADSHANDBOK | TECHNICAL MANUAL, Croatian | 1 |
| 21 | 115 44 50-90 | VERKSTADSHANDBOK | TECHNICAL MANUAL, Czech | 1 |