

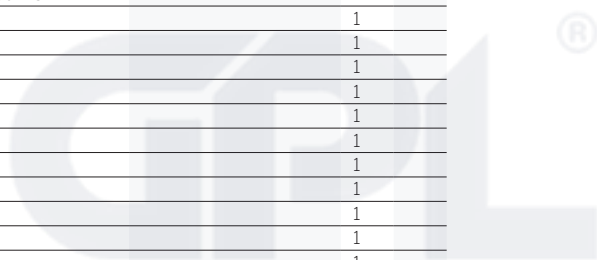
M23-48T, 96042015000, 2013-01

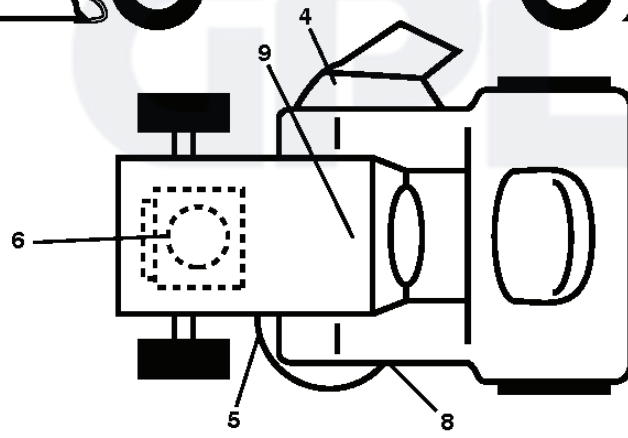
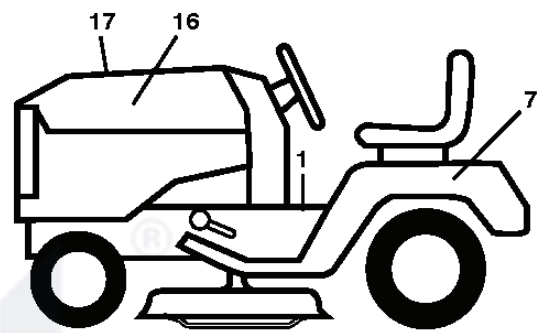
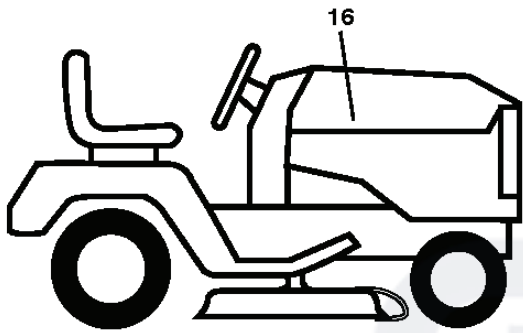


SPARE PARTS LIST



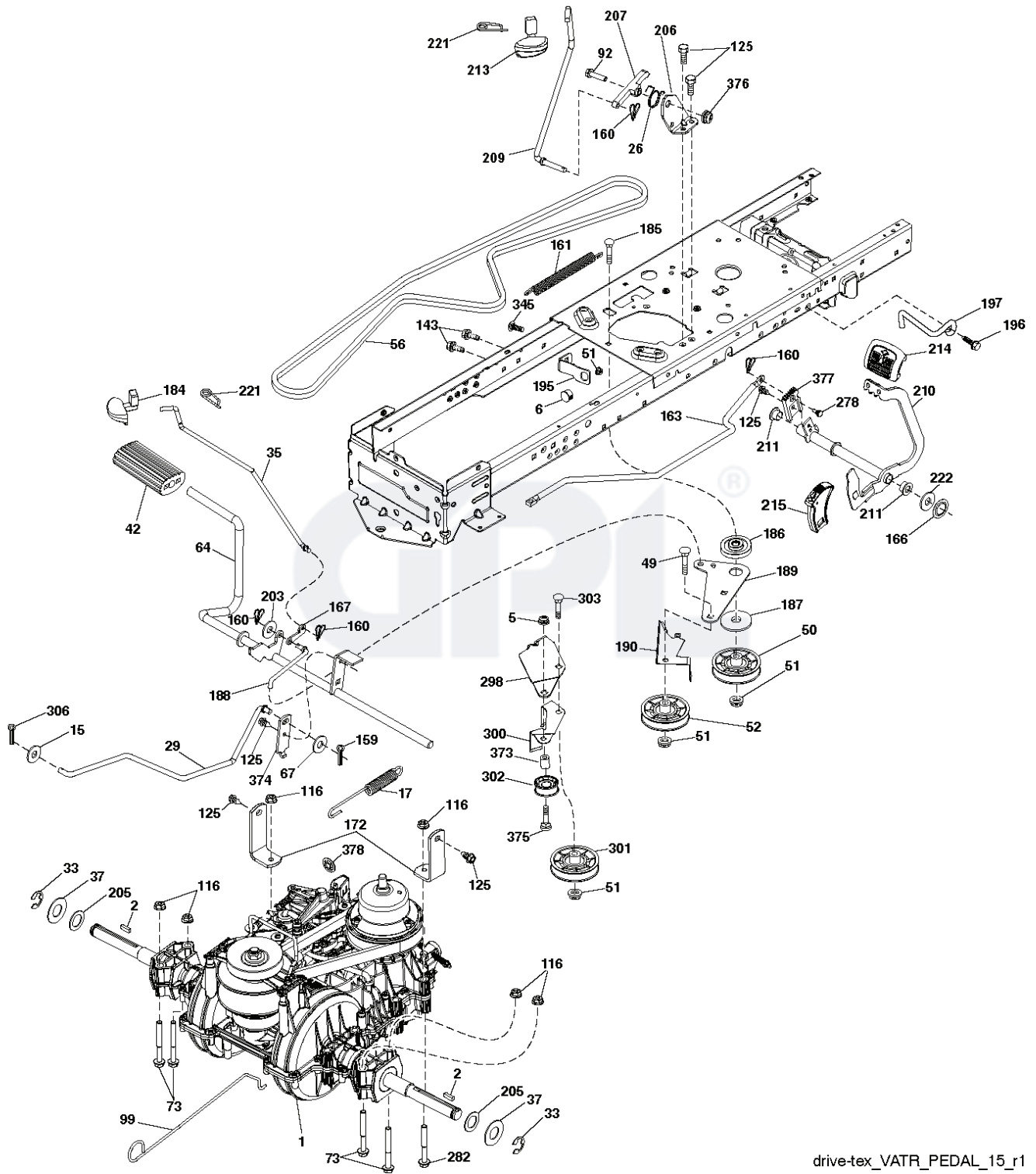
REF.	PART NO.	DESCRIPTION	REMARK	QTY.	KIT
5	532428271	DASH		1	
14	532448042	HOOD		1	
15	581103101	LENS		1	
18	581102901	GRILLE		1	
25	581103001	LENS		1	
34	580910801	CHASSIS		1	
36	817060512	SCREW		1	
37	583939701	FENDER		1	
52	873680500	NUT		1	
58	532412280	PLATE		1	
68	817490508	SCREW		1	
125	581684801	CLIP		1	
130	532416358	SCREW		1	
138	532409730	CONSOLE		1	
146	581857901	BOLT		1	
150	584862901	DUCT		1	
151	532445494	BRACKET		1	
152	532199535	SHIELD		1	
161	532412072	WINDOW		1	
162	532142432	SCREW		1	
165	532196826	BRACKET		1	
175	532196304	SUPPORT		1	
176	532400776	SCREW		1	
177	532195227	BUSHING		1	
180	532415063	FRAME		1	
181	532404796	BUSHING		1	
182	532406859	DASH		1	
183	874520520	BOLT		1	
189	817000512	SCREW		1	
191	581223501	REFLECTOR		1	
194	873900500	NUT		1	
195	532404137	TROU*RPL.PAR 532401556428		1	
196	532414581	CONSOLE		1	
202	581859101	VENT		1	
203	581859201	VENT		1	
213	874760512	BOLT		1	
217	532409167	ROD		1	
218	532196395	PLATE		1	
225	581103201	TRIM		1	
226	578897101	DECAL		1	
228	532195161	STUD		1	
233	532196539	BOLT		1	
235	532406129	SPACER		1	
236	873930500	NUT		1	
237	532403704	PLUG		1	
287	817600406	SCREW		1	
297	581223601	REFLECTOR		1	
306	873900600	NUT		1	





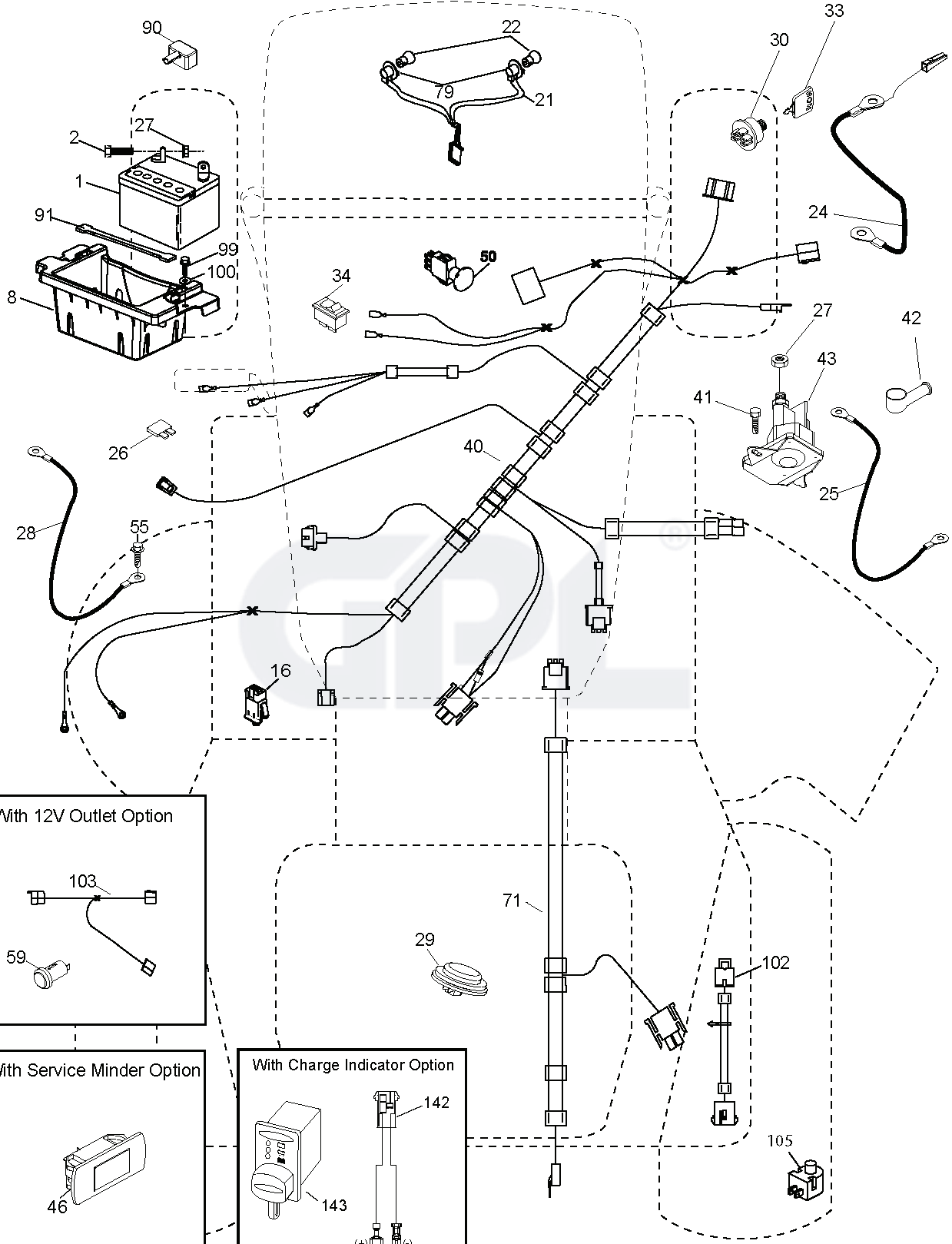
REF.	PART NO.	DESCRIPTION	REMARK	QTY.	KIT
1	581578901	DECAL		1	
4	581579501	DECAL		1	
5	581724502	DECAL		1	
7	581981201	DECAL		1	
8	581580002	DECAL		1	
9	532145005	DECAL		1	
16	581091201	DECAL		1	
17	581593401	DECAL		1	
--	581724801	DECAL		1	
--	532409505	PAD		1	
--	532409507	PAD		1	





REF.	PART NO.	DESCRIPTION	REMARK	QTY.	KIT
1	000000000	W/O DESCRIPTION	TRANSAXLE VARIATOR (580486201)	1	
2	532123583	KEY		1	
5	873680600	NUT		1	
6	532124028	BUSHING		1	
15	819131316	WASHER		1	
17	532413678	SRPING.BRAKE.K46.GREEN*SUBS/2*		1	
26	532199679	SPRING		1	
29	581479301	ROD		1	
33	812000001	RETAINER RING		1	
35	583864501	ROD		1	
37	532188967	WASHER		1	
42	532124872	PEDAL RUBBER		1	
49	872110614	BOLT		1	
50	532194327	PULLEY		1	
51	873900600	NUT		1	
52	532194326	PULLEY		1	
56	532197253	BELT		1	
64	532448353	SHAFT		1	
67	819131312	WASHER		1	
73	874490544	SCREW		1	
92	874760520	BOLT		1	
99	532435935	ROD		1	
116	873900500	NUT		1	
125	817000512	SCREW		1	
143	817490508	SCREW		1	
159	876020412	SPLIT PIN		1	
160	532169484	PIN		1	
161	532105709	SPRING		1	
163	583971301	ROD		1	
166	532429164	NUT		1	
167	532405257	LATCH		1	
172	583974201	STRAP		1	
184	532441455	HANDLE		1	
185	872110622	BOLT		1	
186	532194321	SPACER		1	
187	819133210	WASHER		1	
188	532194323	LINK		1	
189	532194317	PLATE		1	
190	532194318	BELT GUIDE		1	
195	581504601	BRACKET		1	
196	817000616	SCREW		1	
197	585658601	CLUTCH		1	
203	819111116	WASHER		1	
205	532121748	WASHER		1	
206	532448596	BRACKET		1	
207	532448264	LATCH		1	
209	532199592	ROD		1	
210	532448270	PEDAL		1	
211	532120183	BEARING		1	
213	532403119	CONTROL		1	
214	532421263	PAD		1	
215	532448254	PAD		1	
221	532403187	SPRING		1	
222	879212010	WASHER		1	
278	580369101	BOLT		1	
282	874490548	BOLT		1	
298	532415683	BRACKET		1	
300	532415681	IDLER		1	
301	532415680	IDLER		1	
302	581420501	PULLEY		1	
303	872110618	BOLT		1	
306	876020416	SPLIT PIN		1	
345	872110606	BOLT		1	
373	581461801	SPACER		1	
374	581475201	ARM		1	
375	874760636	BOLT		1	
376	532426589	NUT		1	
377	584303401	GEAR		1	
378	584287701	NUT		1	

T11S



With 12V Outlet Option

This inset shows the components for the 12V outlet option. It includes a 12V outlet (103) and a motor (59) connected to it by a wire.

With Service Minder Option

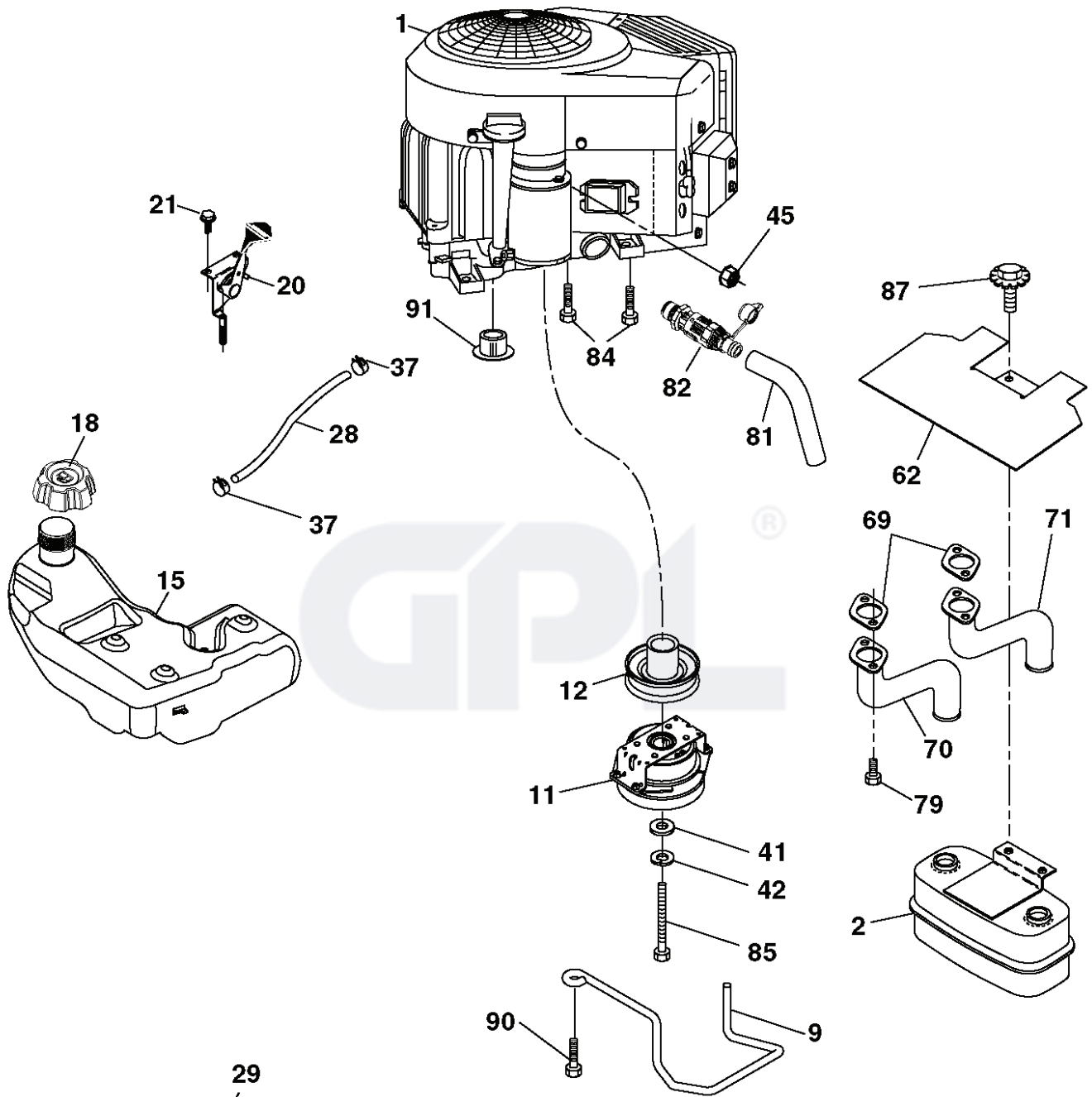
This inset shows the service minder option, which is a small rectangular electronic component (46).

With Charge Indicator Option

This inset shows the charge indicator option. It includes a charge indicator (143) and a connector (142) with positive (+) and negative (-) terminals.

REF.	PART NO.	DESCRIPTION	REMARK	QTY.	KIT
1	532163465	BATTERY		1	
2	874760412	BOLT		1	
8	532186491	BOX		1	
16	532176138	MICRO SWITCH		1	
21	532400252	HARNESS		1	
22	532004152	BULB		1	
24	532400253	CABLE		1	
25	585555501	CABLE		1	
26	532175158	FUSE		1	
27	873510400	NUT		1	
28	532145491	CABLE		1	
29	532401545	SWITCH		1	
30	532193350	IGNITION MODULE		1	
33	532411933	KEY		1	
34	532110712	SWITCH		1	
40	532401104	CABLE ASSY		1	
41	817720408	SCREW		1	
42	532131563	COVER		1	
43	532192507	SOLENOID		1	
46	532401763	DISPLAY		1	
50	532174651	SWITCH		1	
55	817060512	SCREW		1	
71	532194276	CABLE ASSY		1	
79	532175242	HOLDER		1	
90	532435395	TERMINAL COVER		1	
91	532190270	STRAP BATTERY MOUNT FRO		1	
99	817670412	SCREW		1	
100	819091416	WASHER		1	
102	581023401	HARNESS		1	
105	532407568	SWITCH		1	





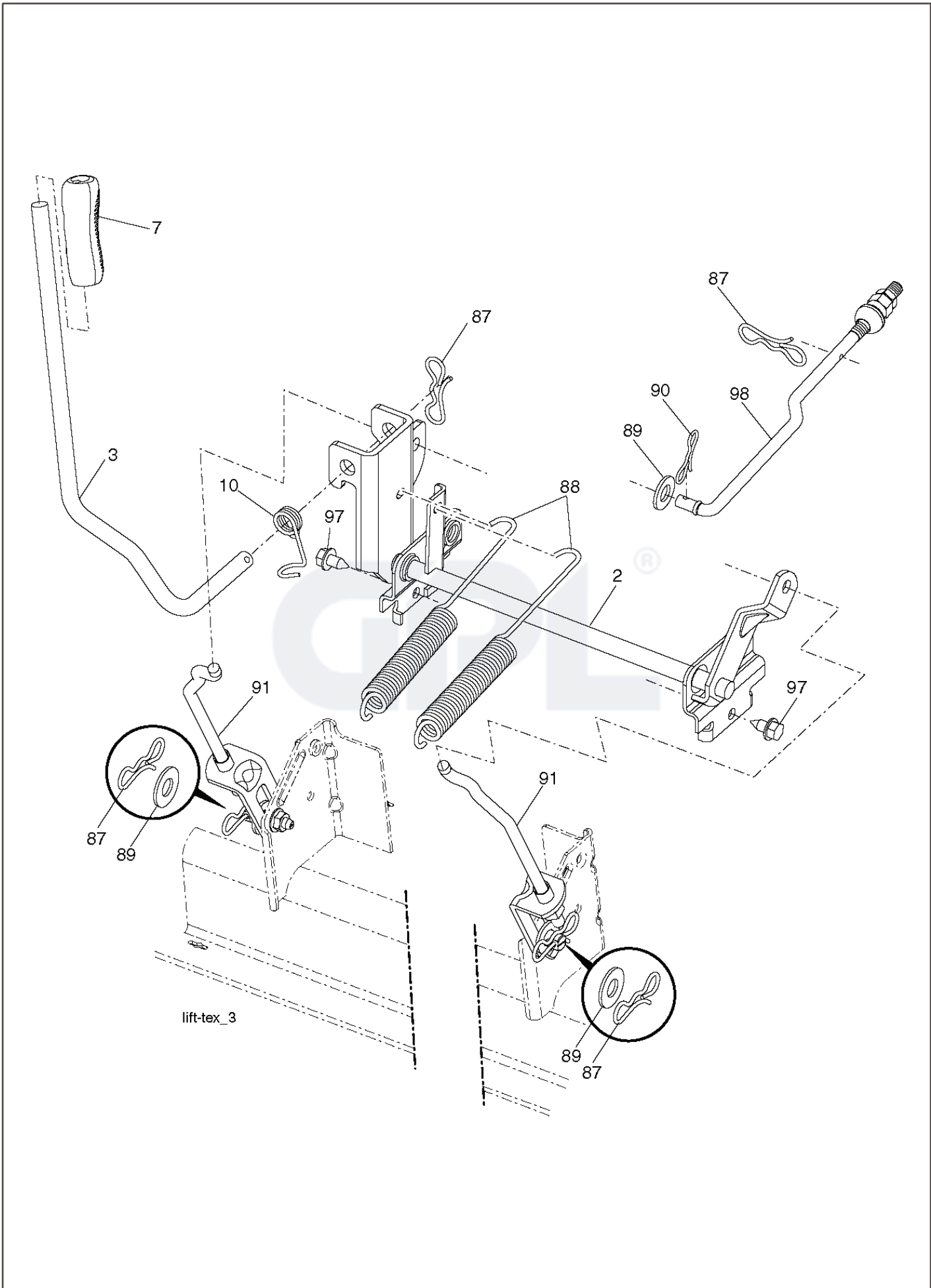
SPARK ARRESTER KIT

engine-tex_bs-2cyl_118

REF.	PART NO.	DESCRIPTION	REMARK	QTY.	KIT
1	000000000	W/O DESCRIPTION	ENGINE B&S MODEL NO. 445577-6187-G5 (581082501)	1	
2	532149723	MUFFLER		1	
9	584911601	KEEPER		1	
11	587241601	CLUTCH		1	
12	532402980	PULLEY		1	
15	532438080	FUEL TANK		1	
18	532430214	TANK CAP		1	
20	532423502	CONTROL		1	
21	532416358	SCREW		1	
28	532401135	LINE.FUEL.64'REAR.EMIS		1	
29	532137180	SPARK ARRESTER KIT		1	
37	532123487	HOSE CLAMP		1	
41	532126197	WASHER		1	
42	810040700	WASHER		1	
45	873510400	NUT		1	
62	532434017	SHIELD		1	
69	532165391	GASKET		1	
70	581881101	TUBE		1	
71	581881001	TUBE		1	
79	532183906	SCREW		1	
81	532148456	TUBE		1	
82	532428287	PLUG		1	
84	817060620	SCREW		1	
85	532179953	BOLT		1	
87	532171877	BOLT		1	
90	817000616	SCREW		1	
91	532187495	BUSHING		1	

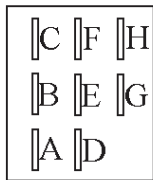
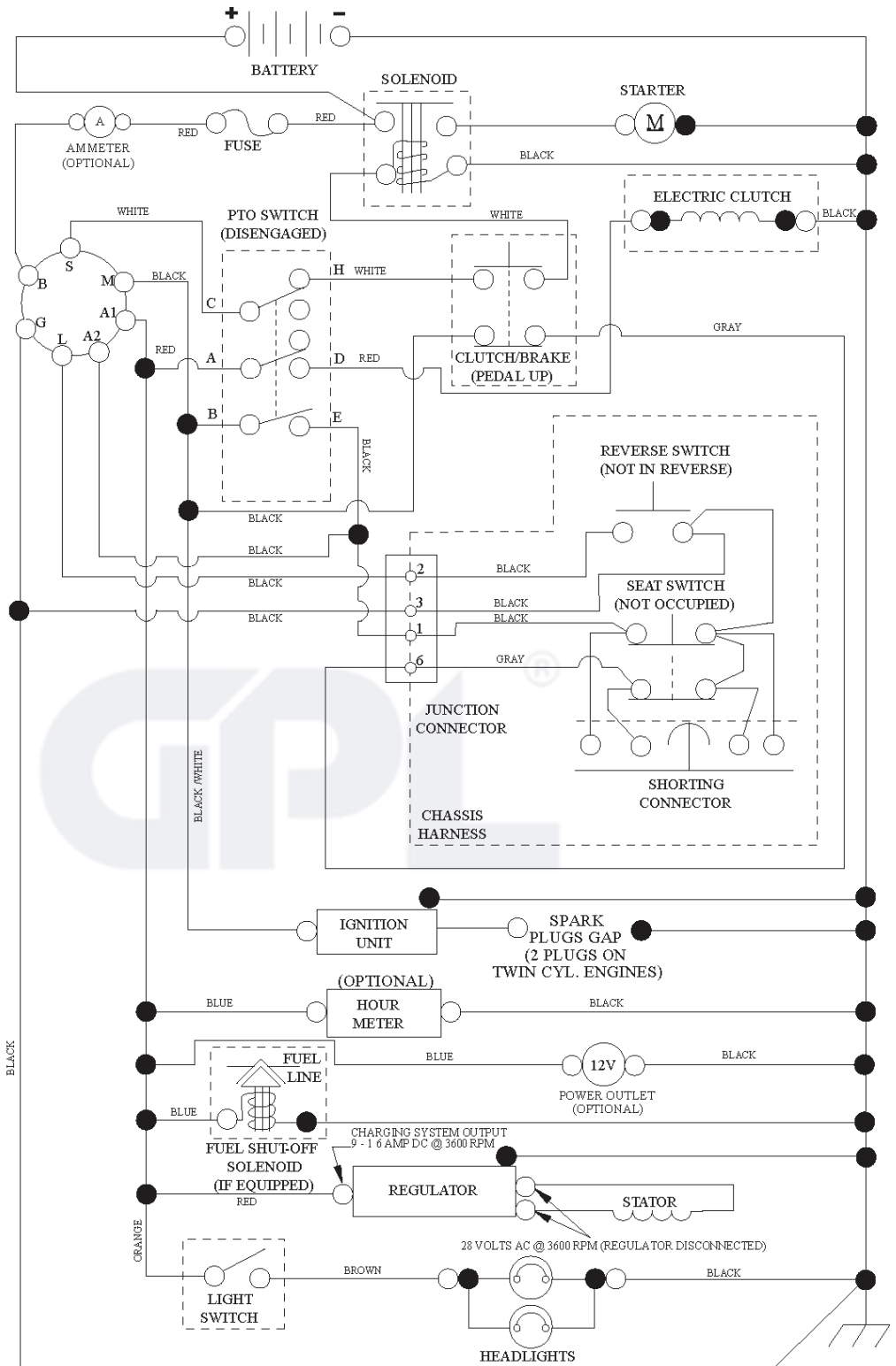


REF.	PART NO.	DESCRIPTION	REMARK	QTY.	KIT
1	532197216	DECK		1	
6	532197248	MANDREL COVER(L.H.)		1	
7	587452401	COVER		1	
8	532193003	SCREW		1	
9	583970702	STRAP		1	
11	532180054	BLADE		1	
12	532404851	ROD		1	
13	532187291	SHAFT		1	
14	532187281	BEARING HOUSING		1	
15	532110485	BEARING		1	
16	819131312	WASHER		1	
17	872110505	BOLT		1	
18	872140505	BOLT		1	
19	532194208	PIN		1	
20	532174378	BAFFLE		1	
21	873680500	NUT		1	
22	532174493	STRIPPER. MANDREL.BLACK		1	
24	532105304	HUB CAP		1	
25	532178102	SPRING		1	
26	532110452	NUT		1	
27	532181707	SHIELD		1	
29	532131491	SHAFT		1	
30	532173984	SCREW		1	
31	532187690	WASHER		1	
32	532153532	PULLEY		1	
33	532400234	NUT		1	
39	532197380	PULLEY		1	
43	532196065	ARM		1	
46	532137729	SCREW		1	
47	532197242	BELT		1	
48	532197379	PULLEY		1	
49	873900600	NUT		1	
50	817490636	SCREW		1	
52	532193197	PULLEY		1	
54	872110612	BOLT		1	
97	532178515	WASHER		1	
98	532196105	SPRING		1	
113	872110508	BOLT		1	
114	532197451	TIGE DE TENSION		1	
116	532193406	BOLT		1	
117	532174873	WHEEL		1	
120	819132012	WASHER		1	
122	532187557	BUSHING		1	
185	873900700	NUT		1	
187	532195161	STUD		1	
188	873900500	NUT		1	
189	532195185	ARM		1	
190	532196539	BOLT		1	
194	874490736	BOLT		1	
209	817000512	SCREW		1	
241	532152927	SCREW		1	
242	532415598	HOSE COUPLING		1	
--	532187292	MANDREL	MANDREL ASSEMBLY (Includes Housing (Key # 14). Shaft Assembly (Key # 13) and Bearing Only (Key # 15) and (Key # 33) Pulley/ Washer and Blade Bolt// Washers Not Included)	1	
--	532416405	COUPLING		1	
--	532418070	CUTTING DECK		1	

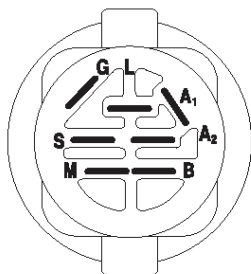


REF.	PART NO.	DESCRIPTION	REMARK	QTY.	KIT
2	532422027	SHAFT		1	
3	532195231	LEVER		1	
7	580962301	GRIP		1	
10	532196314	SPRING		1	
87	532194209	SPRING		1	
88	532410710	SPRING		1	
89	819191912	WASHER		1	
90	532194208	PIN		1	
91	532195181	LINK		1	
97	817000612	SCREW		1	
98	532195264	LINK		1	



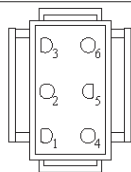


PTO SWITCH (MATING SIDE)

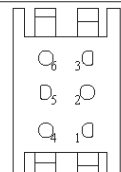


IGNITION SWITCH

POSITION	CIRCUIT	"MAKE"
OFF	M+G+A1	
RUN/OVERRIDE	B+A1	
RUN	B+A1	L+A2
START	B + S + A1	



CHASSIS HARNESS CONNECTOR (MATING SIDE)



DASH HARNESS CONNECTOR

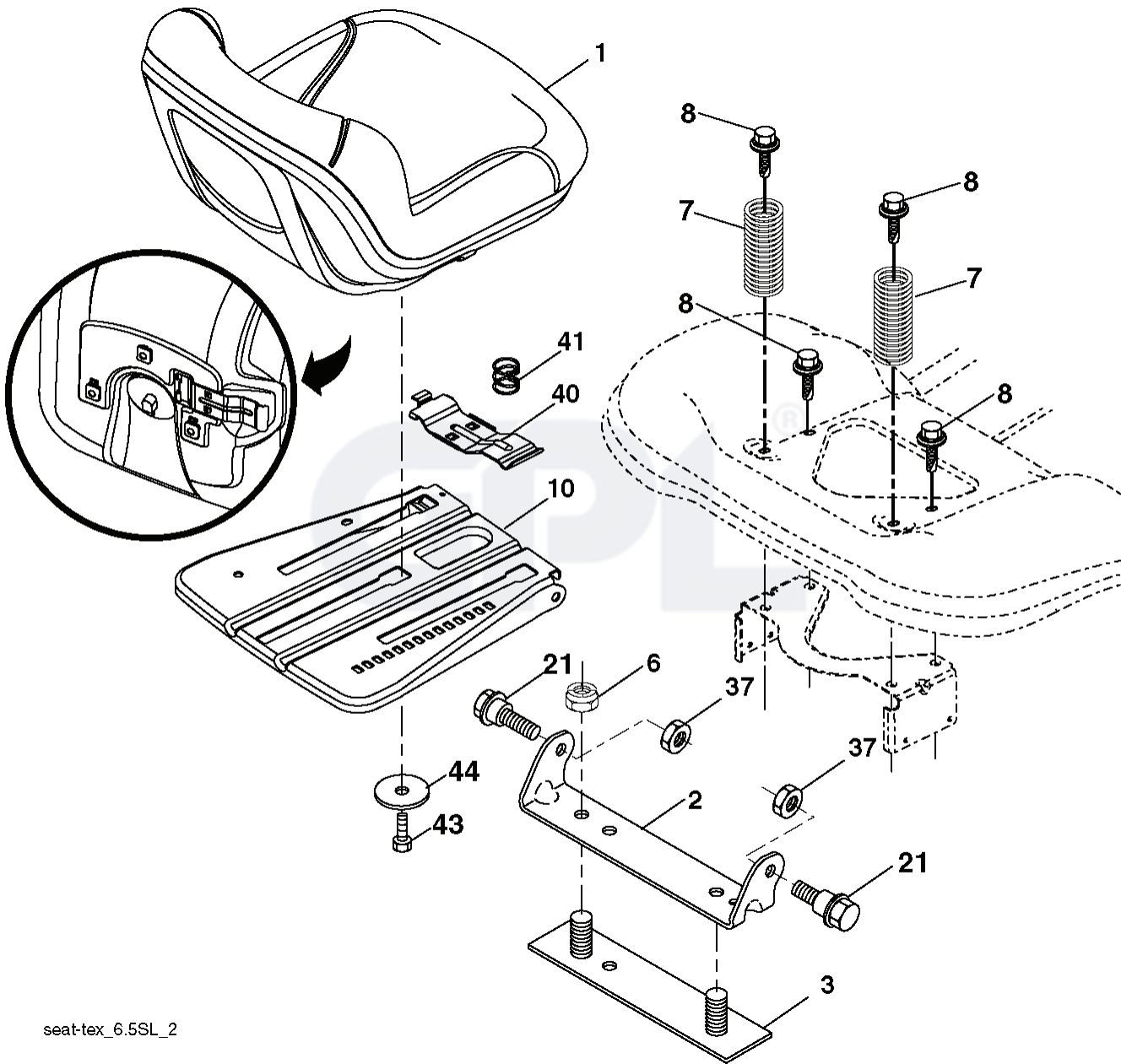
WIRING INSULATED CLIPS
NOTE: IF WIRING INSULATED CLIPS WERE REMOVED FOR SERVICING OF UNIT, THEY SHOULD BE RE-INSTALLED TO PROPERLY SECURE YOUR WIRING.



NON-REMOVABLE CONNECTIONS



REMOVABLE CONNECTIONS

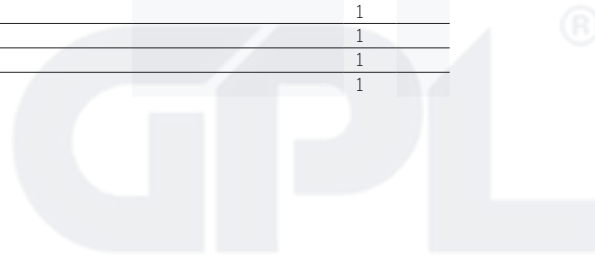


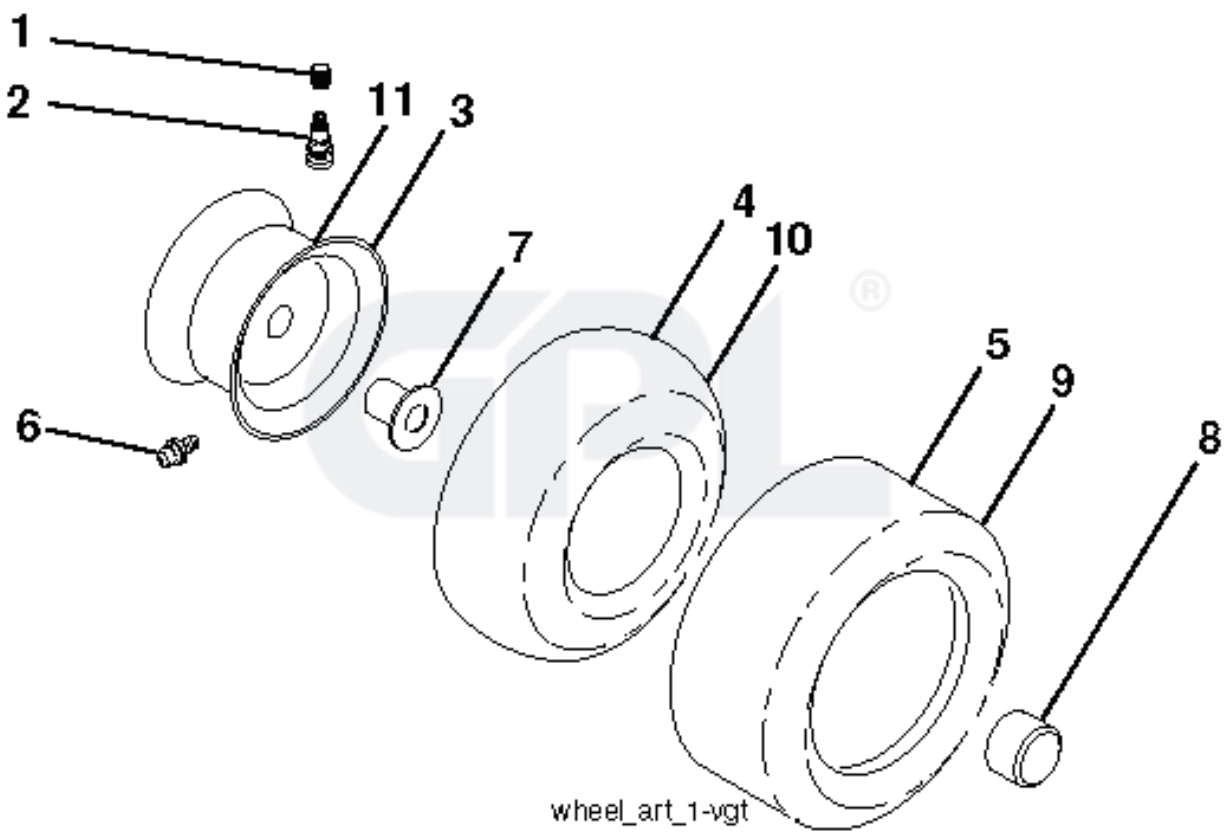
seat-tex_6.5SL_2

REF.	PART NO.	DESCRIPTION	REMARK	QTY.	KIT
1	581462201	SEAT		1	
2	532180166	BRACKET		1	
3	532140675	STRAP		1	
6	873800600	NUT		1	
7	532124181	SPRING		1	
8	532171877	BOLT		1	
10	532196977	PLATE		1	
21	532171852	BOLT		1	
37	873800500	LOCK NUT		1	
40	532197661	HANDLE		1	
41	532198200	SPRING		1	
43	874760612	BOLT		1	
44	819133812	WASHER		1	



REF.	PART NO.	DESCRIPTION	REMARK	QTY.	KIT
1	532442804	STEERING WHEEL		1	
2	532195968	SHAFT		1	
4	532403087	SPINDLE		1	
5	532403088	SPINDLE		1	
6	532124931	WASHER		1	
7	532121748	WASHER		1	
8	812000029	RETAINER RING		1	
9	532121232	HUB CAP		1	
13	532121749	WASHER		1	
14	810040600	WASHER		1	
15	873540600	NUT		1	
16	532408219	SHAFT		1	
19	532194729	PLATE		1	
20	532424740	BOOT		1	
21	532186737	ADAPTER		1	
22	532420537	SUPPORT		1	
26	532447759	CAP		1	
28	817000612	SCREW		1	
35	532194732	PLATE		1	
45	819183812	WASHER		1	
51	873940800	NUT		1	
53	532188967	WASHER		1	
57	532197246	BRACKET		1	
58	532194747	BOLT		1	
59	532194748	WASHER		1	
60	873971000	NUT		1	
61	532194740	LINK		1	
62	532194741	LINK		1	
63	817000512	SCREW		1	
64	532199849	SPRING RETAINER		1	
66	871020748	BOLT		1	
67	532194737	BUSHING		1	
68	873900700	NUT		1	
69	532199162	WASHER		1	
70	532196197	BRACKET		1	
122	532444962	CAP		1	





wheel_art_1-vgt

REF.	PART NO.	DESCRIPTION	REMARK	QTY.	KIT
1	532059192	CAP VALVE		1	
2	532065139	NIPPLE		1	
3	532125121	RIM	FRONT	1	
4	532059904	HOSE	(Service Item Only)	1	
5	532106222	TIRE	FRONT	1	
6	532124957	FITTING	(Front Wheel Only)	1	
7	532124959	BEARING	(Front Wheel Only)	1	
8	532193268	HUB CAP		1	
9	532138468	TIRE	REAR	1	
10	532124926	HOSE	(Service Item Only)	1	
11	532125122	RIM	REAR	1	
--	532144334	SEALING FOAM		1	
	PART NO.		REMARK		KIT

