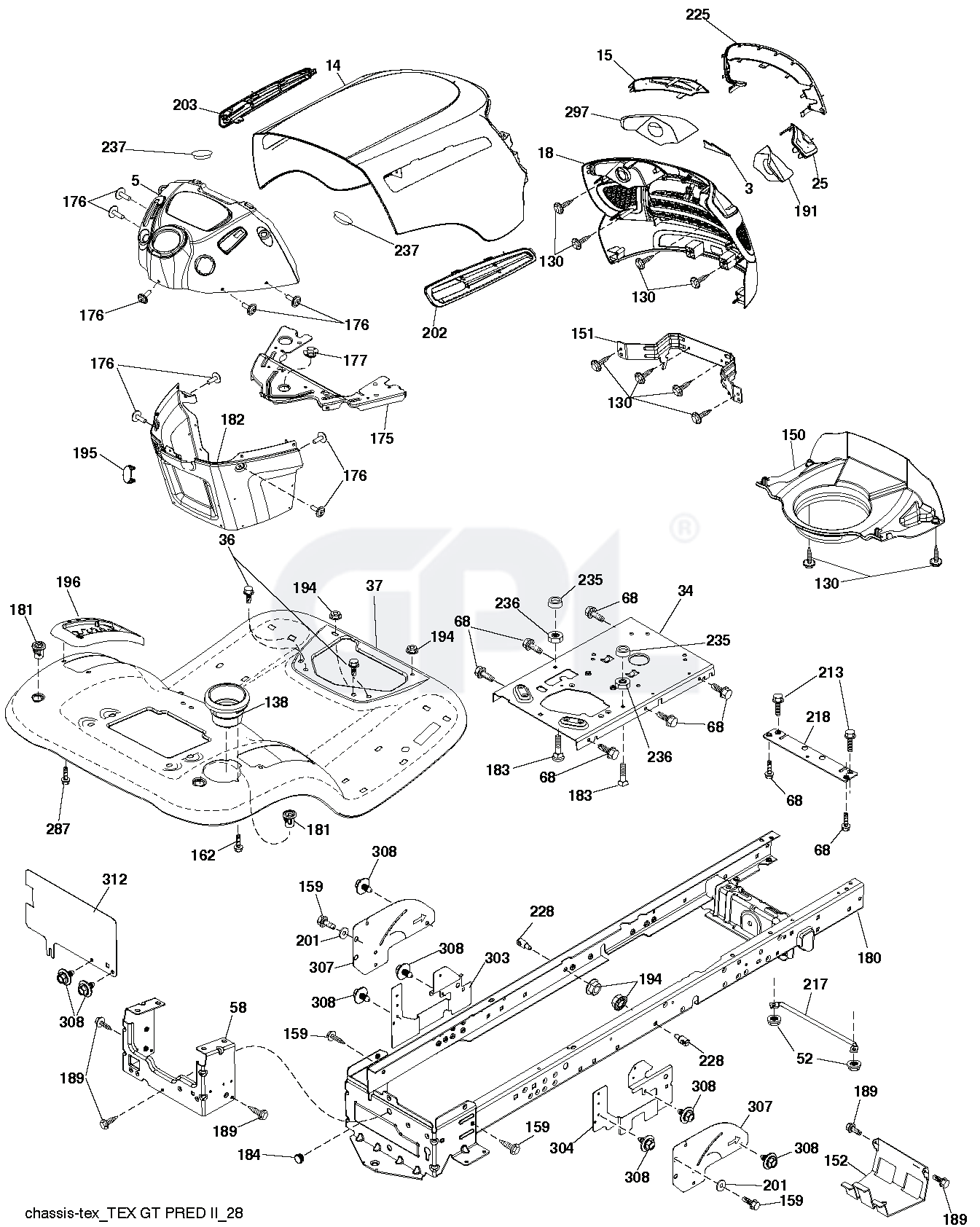


M200-117T, 96041033902, 2015-12

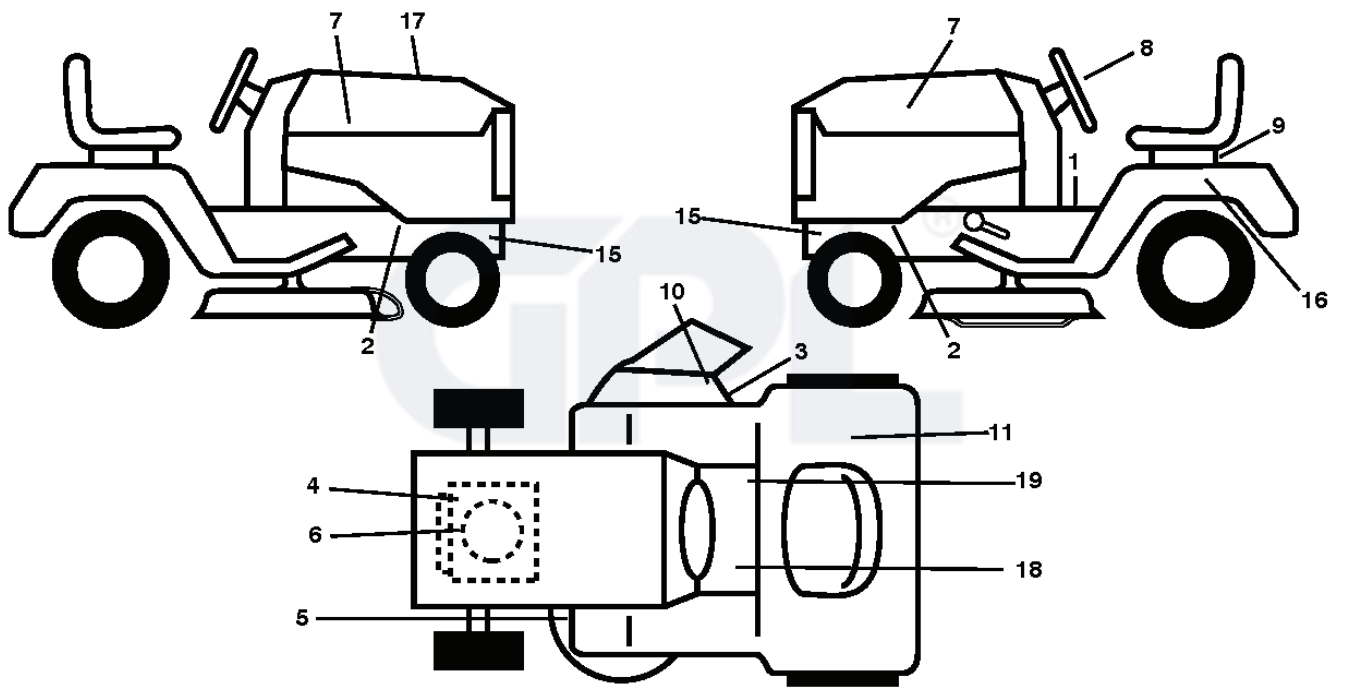


SPARE PARTS LIST



chassis-tex_TEX GT PRED II_28

REF.	PART NO.	DESCRIPTION	REMARK	QTY.	KIT
3	578897101	DECAL		1	
5	532428271	DASH		1	
14	532448042	HOOD		1	
15	581103101	LENS		1	
18	581102901	GRILLE		1	
25	581103001	LENS		1	
34	580910801	CHASSIS		1	
36	817060512	SCREW		1	
37	532420796	FENDER		1	
52	873680500	NUT		1	
58	532412280	PLATE		1	
68	817490508	SCREW		1	
130	532416358	SCREW		1	
138	532409730	CONSOLE		1	
150	584862901	DUCT		1	
151	532445494	BRACKET		1	
152	532199535	SHIELD		1	
159	817000612	SCREW		1	
162	532142432	SCREW		1	
175	532196304	SUPPORT		1	
176	532400776	SCREW		1	
177	532195228	BUSHING		1	
180	532415063	FRAME		1	
181	532404796	BUSHING		1	
182	586738602	DASH		1	
183	874520520	BOLT		1	
184	587554101	PLUG		1	
189	817000512	SCREW		1	
191	581223501	REFLECTOR		1	
194	873900500	NUT		1	
195	532404137	TROU*RPLPAR 532401556428		1	
196	532414581	CONSOLE		1	
201	819132016	WASHER		1	
202	581859101	VENT		1	
203	581859201	VENT		1	
213	874760512	BOLT		1	
217	532409167	ROD		1	
218	532196395	PLATE		1	
225	581103201	TRIM		1	
228	532195161	STUD		1	
235	532406129	SPACER		1	
236	873930500	NUT		1	
237	532403704	PLUG		1	
287	817600406	SCREW		1	
297	581223601	REFLECTOR		1	
303	587493402	SHIELD		1	
304	587865102	SHIELD		1	
307	587494601	SHIELD		1	
308	532171877	BOLT		1	
312	587493002	SHIELD		1	
--	532441126	PLUG		1	
--	532400944	FRONT BUMPER	*SUBS/2*	1	

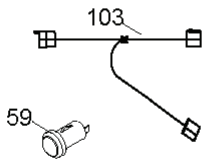


REF.	PART NO.	DESCRIPTION	REMARK	QTY.	KIT
1	581578101	DECAL		1	
2	581579801	DECAL		1	
3	581579201	DECAL		1	
4	581579701	DECAL		1	
5	581580001	DECAL		1	
6	581259001	DECAL		1	
7	581091201	DECAL		1	
8	501494301	DECAL		1	
9	532145005	DECAL		1	
10	584904601	DECAL		1	
11	588049701	DECAL		1	
15	581579601	DECAL		1	
16	581953001	DECAL		1	
17	581592101	DECAL		1	
18	581724001	DECAL		1	
19	581578001	DECAL		1	
--	581724801	DECAL		1	
--	581724601	DECAL		1	
--	532409505	PAD		1	
--	532409507	PAD		1	

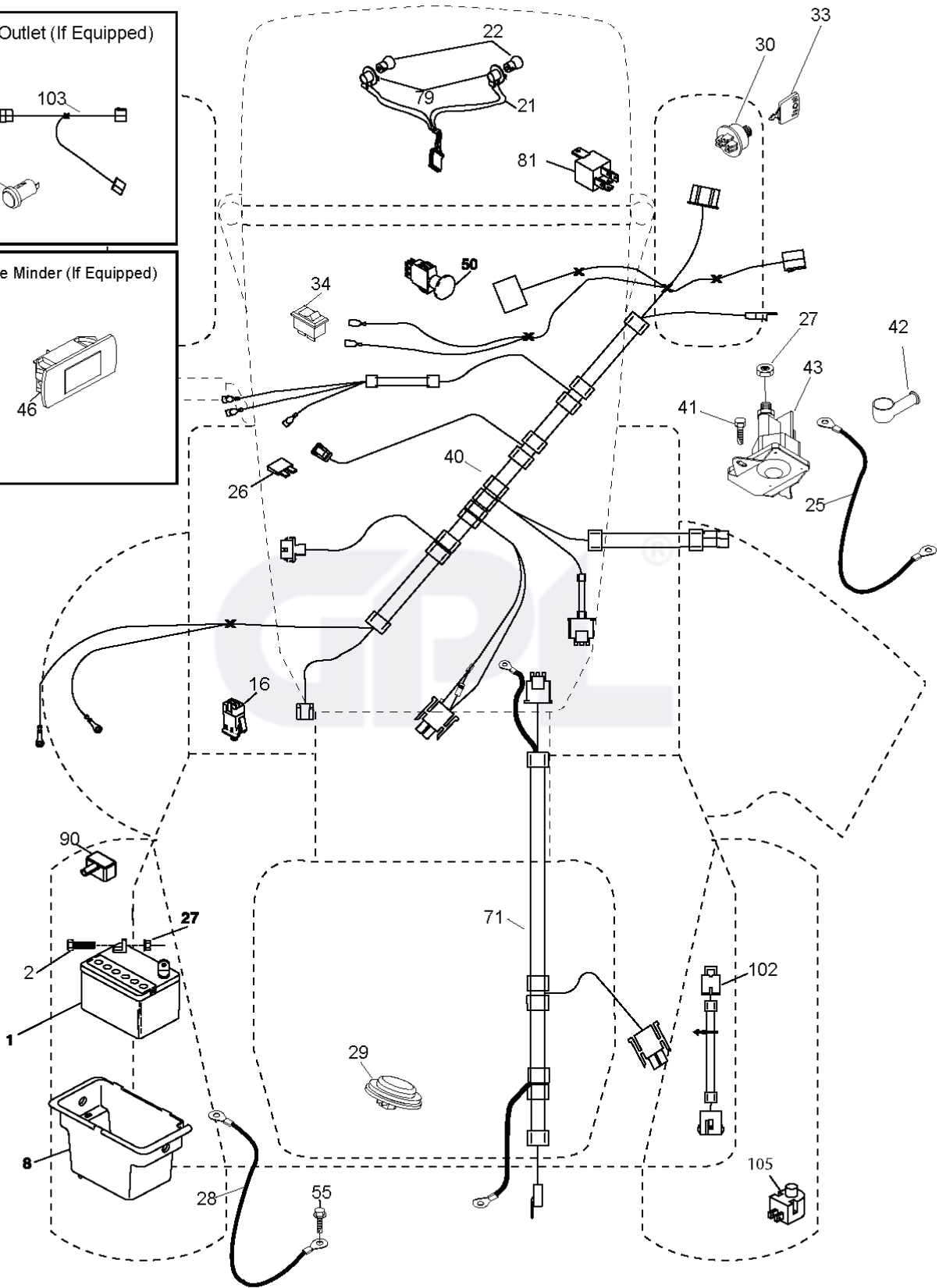
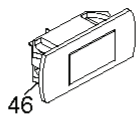


T21S

12V Outlet (If Equipped)

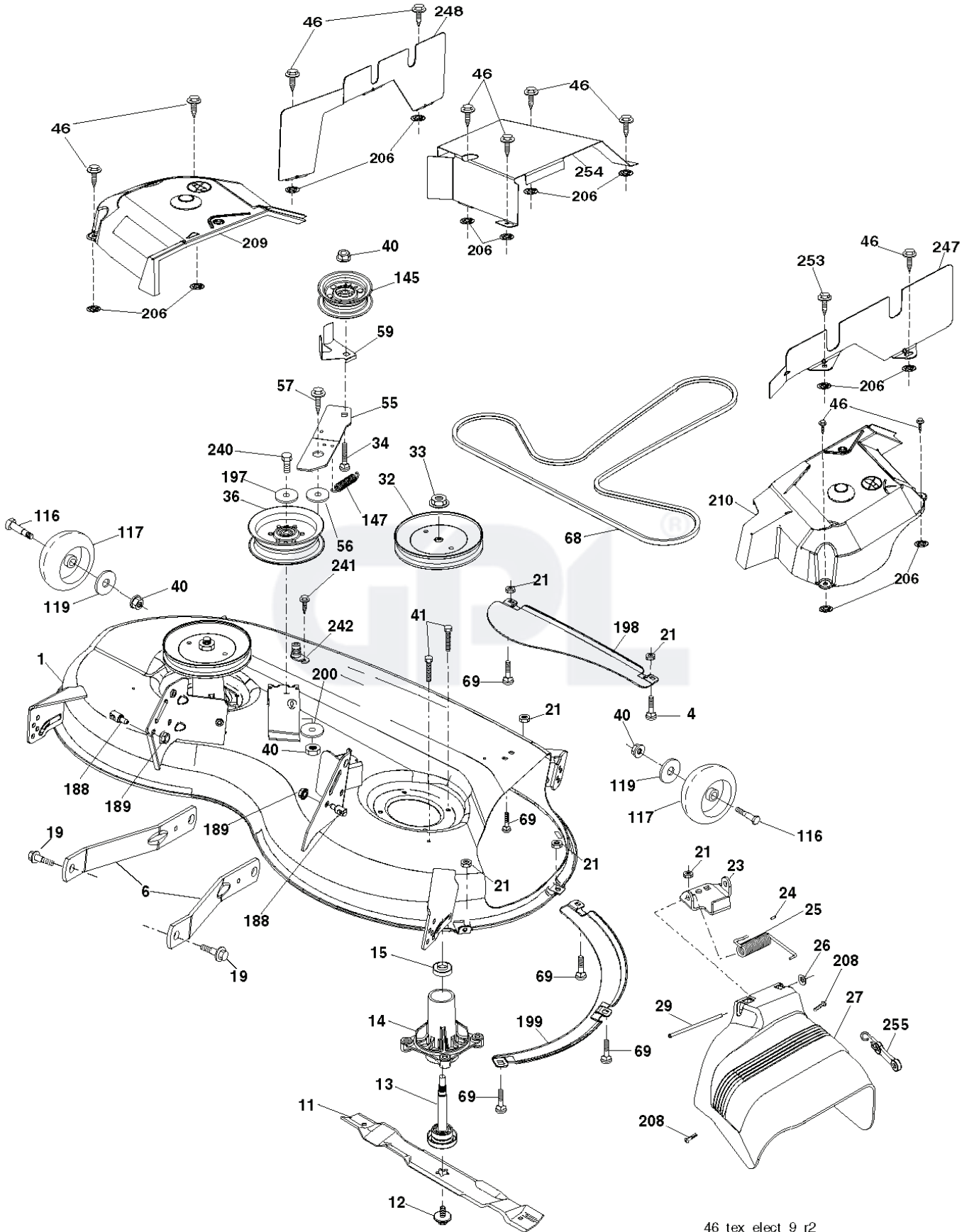


Service Minder (If Equipped)

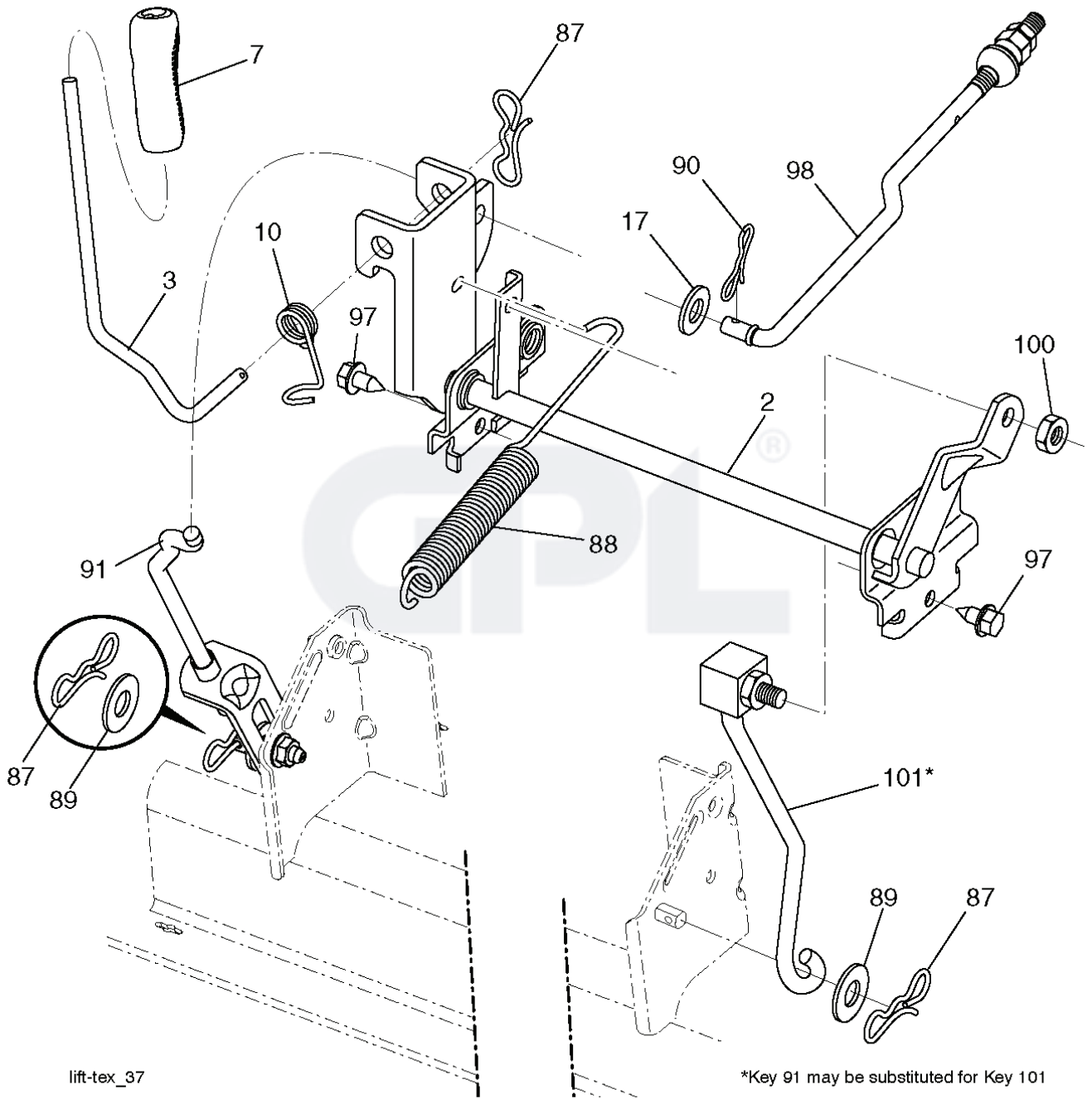


REF.	PART NO.	DESCRIPTION	REMARK	QTY.	KIT
1	532163465	BATTERY		1	
2	874760412	BOLT		1	
8	532193228	BOX		1	
16	532176138	MICRO SWITCH		1	
21	532400252	HARNESS		1	
22	532004152	BULB		1	
25	585555501	CABLE		1	
26	532175158	FUSE		1	
27	873510400	NUT		1	
28	532416588	CABLE		1	
29	532401545	SWITCH		1	
30	532193350	IGNITION MODULE		1	
33	532411935	KEY		1	
34	532110712	SWITCH		1	
40	501133201	HARNESS		1	
41	817720408	SCREW		1	
42	532131563	COVER		1	
43	532192507	SOLENOID		1	
50	532174651	SWITCH		1	
55	817060512	SCREW		1	
71	532441544	HARNESS		1	
79	532175242	HOLDER		1	
81	532409615	HARNESS		1	
90	532435395	TERMINAL COVER		1	
102	581023401	HARNESS		1	
105	532407568	SWITCH		1	





REF.	PART NO.	DESCRIPTION	REMARK	QTY.	KIT
1	589535315	DECK		1	
4	874760512	BOLT		1	
6	532195186	ARM		1	
11	532405380	RIDE ON BLADE		1	
12	584309301	SCREW		1	
13	587256501	SHAFT		1	
14	532187281	BEARING HOUSING		1	
15	585323901	BEARING		1	
19	532196539	BOLT		1	
21	873680500	NUT		1	
23	532192557	HINGE		1	
24	532105304	HUB CAP		1	
25	532197026	TORSION SPRING		1	
26	532110452	NUT		1	
27	532442895	SHIELD		1	
29	532131491	SHAFT		1	
32	532197473	PULLEY		1	
33	532400234	NUT		1	
34	872110612	BOLT		1	
36	532197379	PULLEY		1	
40	873900600	NUT		1	
41	584953901	BOLT		1	
46	532137729	SCREW		1	
55	532197249	ARM		1	
56	532199092	SPACER		1	
57	817000616	SCREW		1	
59	532141043	GUARD		1	
68	532405143	BELT		1	
69	872140505	BOLT		1	
116	532193406	BOLT		1	
117	532174873	WHEEL		1	
119	819132012	WASHER		1	
145	532193197	PULLEY		1	
147	532197251	SPRING		1	
188	532195161	STUD		1	
189	873900500	NUT		1	
197	819131312	WASHER		1	
198	532403149	PLATE		1	
199	532403150	PLATE		1	
200	532413524	WASHER		1	
206	532423062	NUT		1	
208	817670608	SCREW		1	
209	588808801	COVER		1	
210	532432396	COVER		1	
240	874520636	BOLT		1	
241	532152927	SCREW		1	
242	532415598	HOSE COUPLING		1	
247	532430263	SHIELD		1	
248	532430262	SHIELD		1	
253	532427350	SCREW		1	
254	532430264	SHIELD		1	
255	532436087	ELASTIC STRAP		1	
--	587253301	MANDREL	Mandrel Assembly (Includes housing (key# 14), shaft assembly (key# 13), bearing (key# 15) only-pulley/washer and blade bolt/washer not included.)	1	
--	532427224	CUTTING DECK		1	



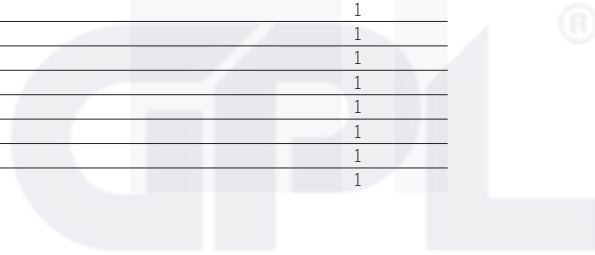
lift-tex_37

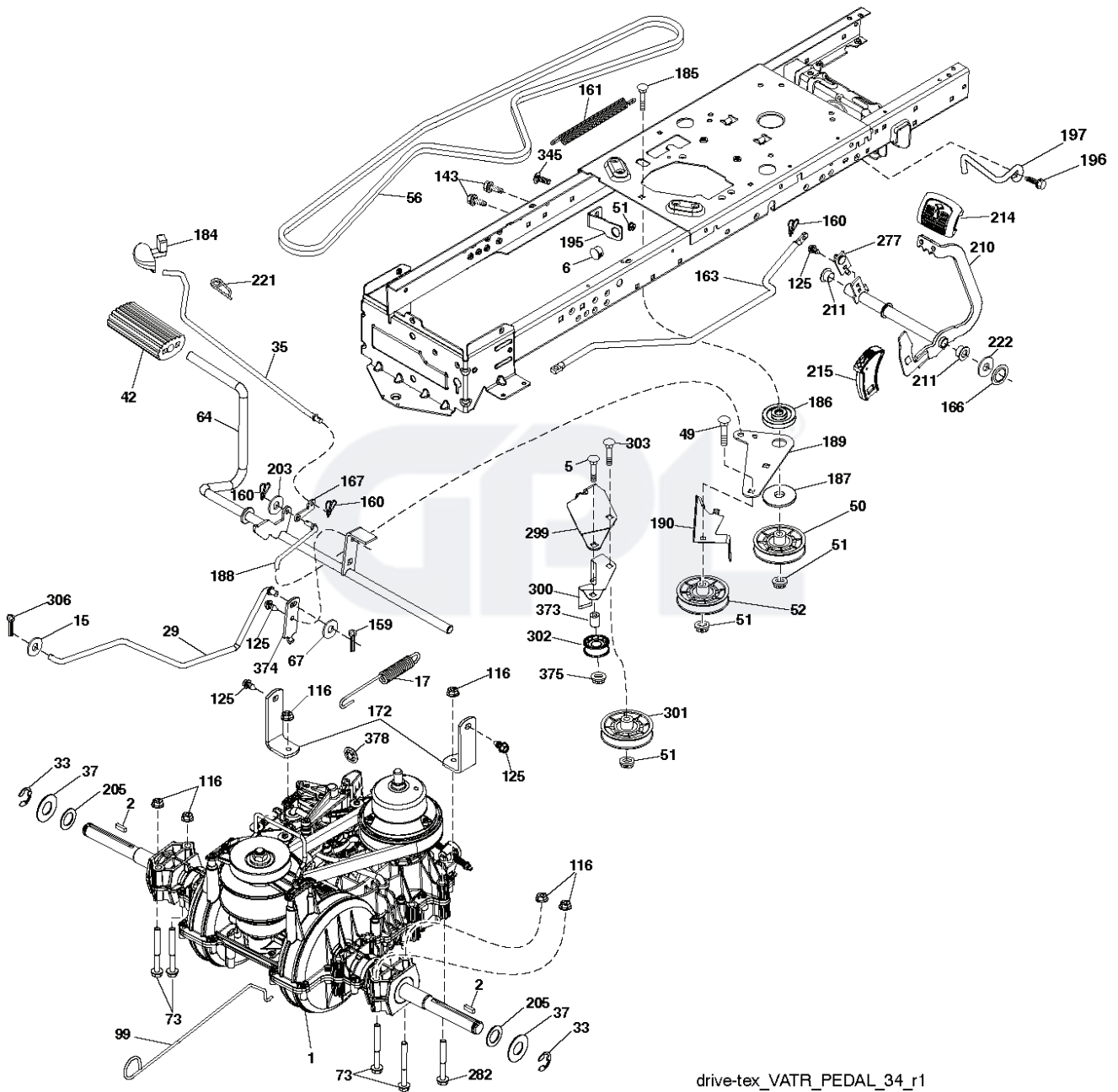
*Key 91 may be substituted for Key 101

REF.	PART NO.	DESCRIPTION	REMARK	QTY.	KIT
2	532422027	SHAFT		1	
3	532195231	LEVER		1	
7	580962301	GRIP		1	
10	532196314	SPRING		1	
17	819131312	WASHER		1	
87	532194209	SPRING		1	
88	532410710	SPRING		1	
89	819191912	WASHER		1	
90	532194208	PIN		1	
91	532197984	LINK		1	
97	817000612	SCREW		1	
98	532420525	LINK		1	
100	873930600	NUT		1	
101	581506501	LINK ASSY		1	



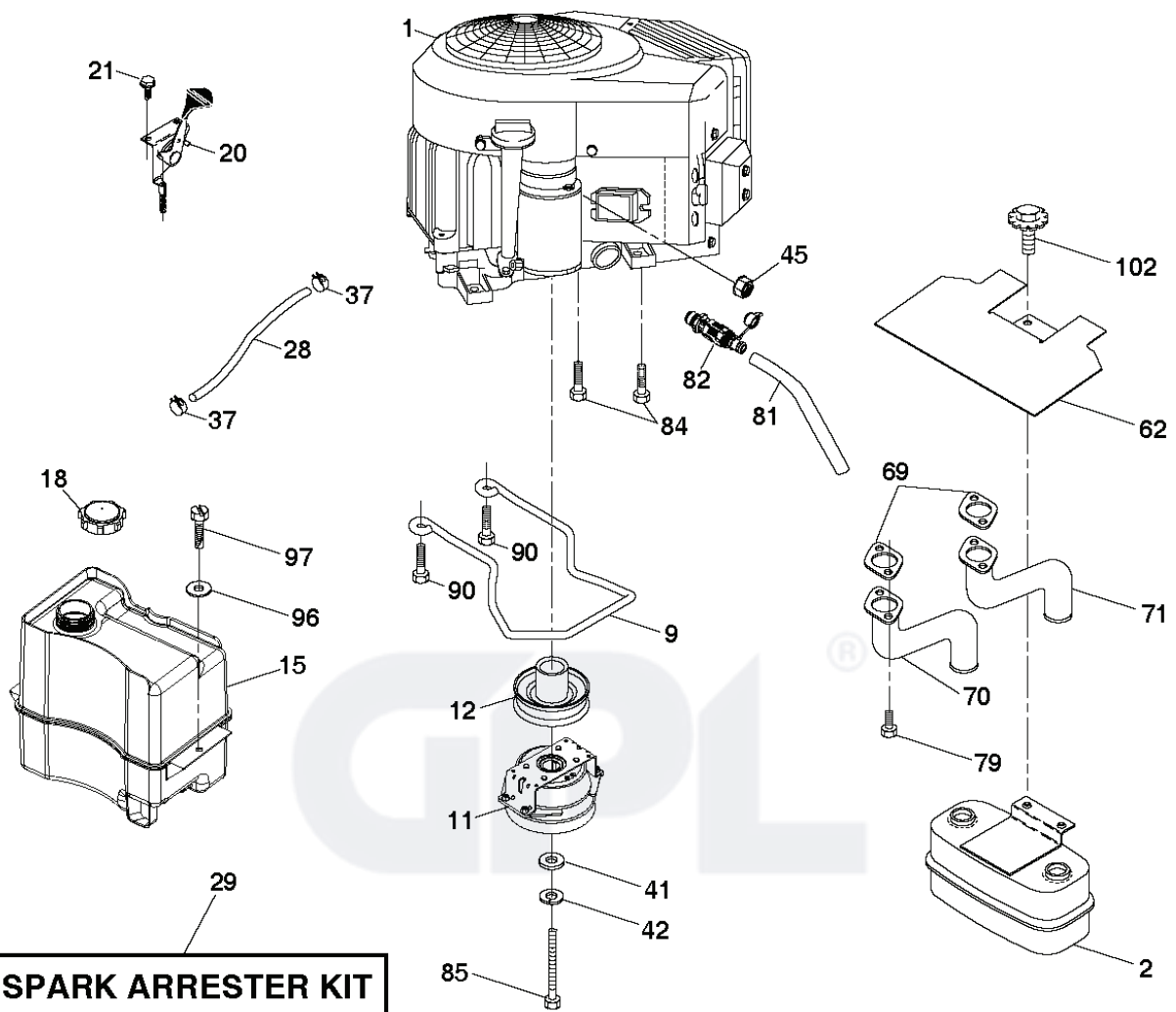
REF.	PART NO.	DESCRIPTION	REMARK	QTY.	KIT
1	532424551	STEERING WHEEL		1	
2	532418168	AXLE		1	
4	532403087	SPINDLE		1	
5	532403088	SPINDLE		1	
6	532124931	WASHER		1	
7	532121748	WASHER		1	
8	812000029	RETAINER RING		1	
9	532121232	HUB CAP		1	
13	532121749	WASHER		1	
14	810040600	WASHER		1	
15	873540600	NUT		1	
16	587016002	SHAFT		1	
19	532194729	PLATE		1	
20	532424740	BOOT		1	
21	586840201	ADAPTER		1	
22	585029802	BEARING		1	
26	532424553	INSERT		1	
27	819211616	WASHER		1	
28	817000612	SCREW		1	
35	532194732	PLATE		1	
45	819183812	WASHER		1	
50	873900600	NUT		1	
53	532188967	WASHER		1	
57	532407465	BRACKET		1	
58	532194747	BOLT		1	
59	532194748	WASHER		1	
60	873971000	NUT		1	
61	532194740	LINK		1	
62	532194741	LINK		1	
63	817000512	SCREW		1	
64	532199849	SPRING RETAINER		1	
66	871020748	BOLT		1	
67	532194737	BUSHING		1	
68	873900700	NUT		1	
69	532199162	WASHER		1	
70	585338801	BRACKET		1	
74	532124937	BEARING COL. STRG.		1	
75	580683701	PINION		1	
76	580683601	SCREW		1	
122	532444962	CAP		1	





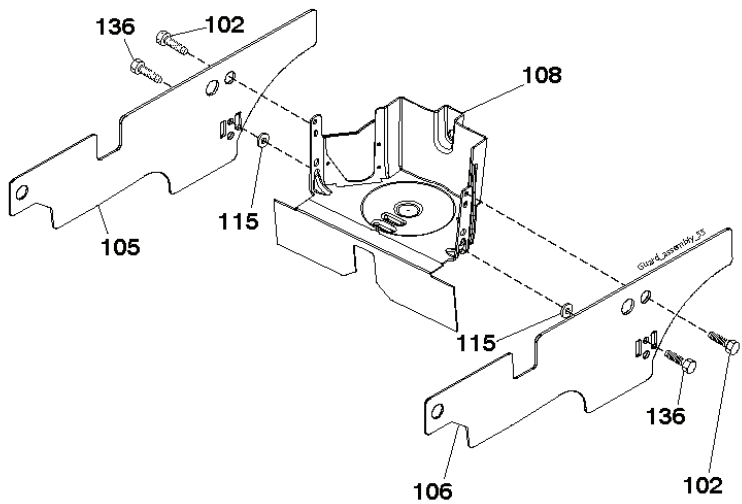
drive-tex_VATR_PEDAL_34_r1

REF.	PART NO.	DESCRIPTION	REMARK	QTY.	KIT
1	000000000	W/O DESCRIPTION	TRANSMISSION GENTRANS VARIATOR (580486201)	1	
2	532123583	KEY		1	
5	874760636	BOLT		1	
6	532124028	BUSHING		1	
15	819131316	WASHER		1	
17	501487101	SPRING		1	
29	584823101	ROD		1	
33	812000001	RETAINER RING		1	
35	583864501	ROD		1	
37	532188967	WASHER		1	
42	532124872	PEDAL RUBBER		1	
49	872110614	BOLT		1	
50	532194327	PULLEY		1	
51	873900600	NUT		1	
52	532194326	PULLEY		1	
56	581603801	BELT		1	
64	532448353	SHAFT		1	
67	582580101	WASHER		1	
73	874490544	SCREW		1	
99	532435935	ROD		1	
116	873900500	NUT		1	
125	817000512	SCREW		1	
143	817490508	SCREW		1	
159	876020412	SPLIT PIN		1	
160	532169484	PIN		1	
161	532105709	SPRING		1	
163	587847901	ROD		1	
166	532429164	NUT		1	
167	532405257	LATCH		1	
172	583974201	STRAP		1	
184	587653701	HANDLE		1	
185	872110622	BOLT		1	
186	532194321	SPACER		1	
187	819133210	WASHER		1	
188	582217001	LINK		1	
189	532194317	PLATE		1	
190	532194318	BELT GUIDE		1	
195	581504601	BRACKET		1	
196	817000616	SCREW		1	
197	585658601	CLUTCH		1	
203	819111116	WASHER		1	
205	532121748	WASHER		1	
210	588921001	PEDAL		1	
211	532120183	BEARING		1	
214	532421263	PAD		1	
215	532448254	PAD		1	
221	532403187	SPRING		1	
222	879212010	WASHER		1	
277	532448500	LINK		1	
282	874490548	BOLT		1	
299	532415683	BRACKET		1	
300	532415681	IDLER		1	
301	532415680	IDLER		1	
302	581420501	PULLEY		1	
303	872110618	BOLT		1	
306	876020416	SPLIT PIN		1	
345	872110606	BOLT		1	
373	581461801	SPACER		1	
374	581475201	ARM		1	
375	873680600	NUT		1	

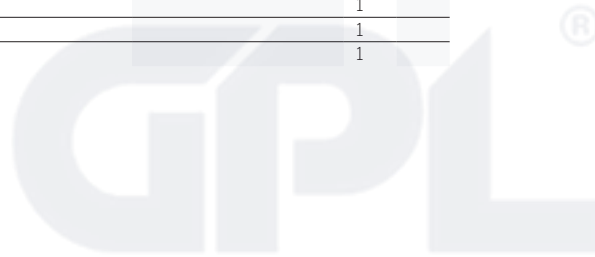


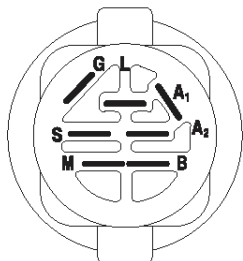
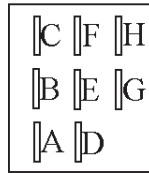
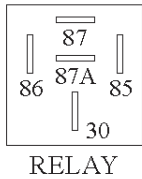
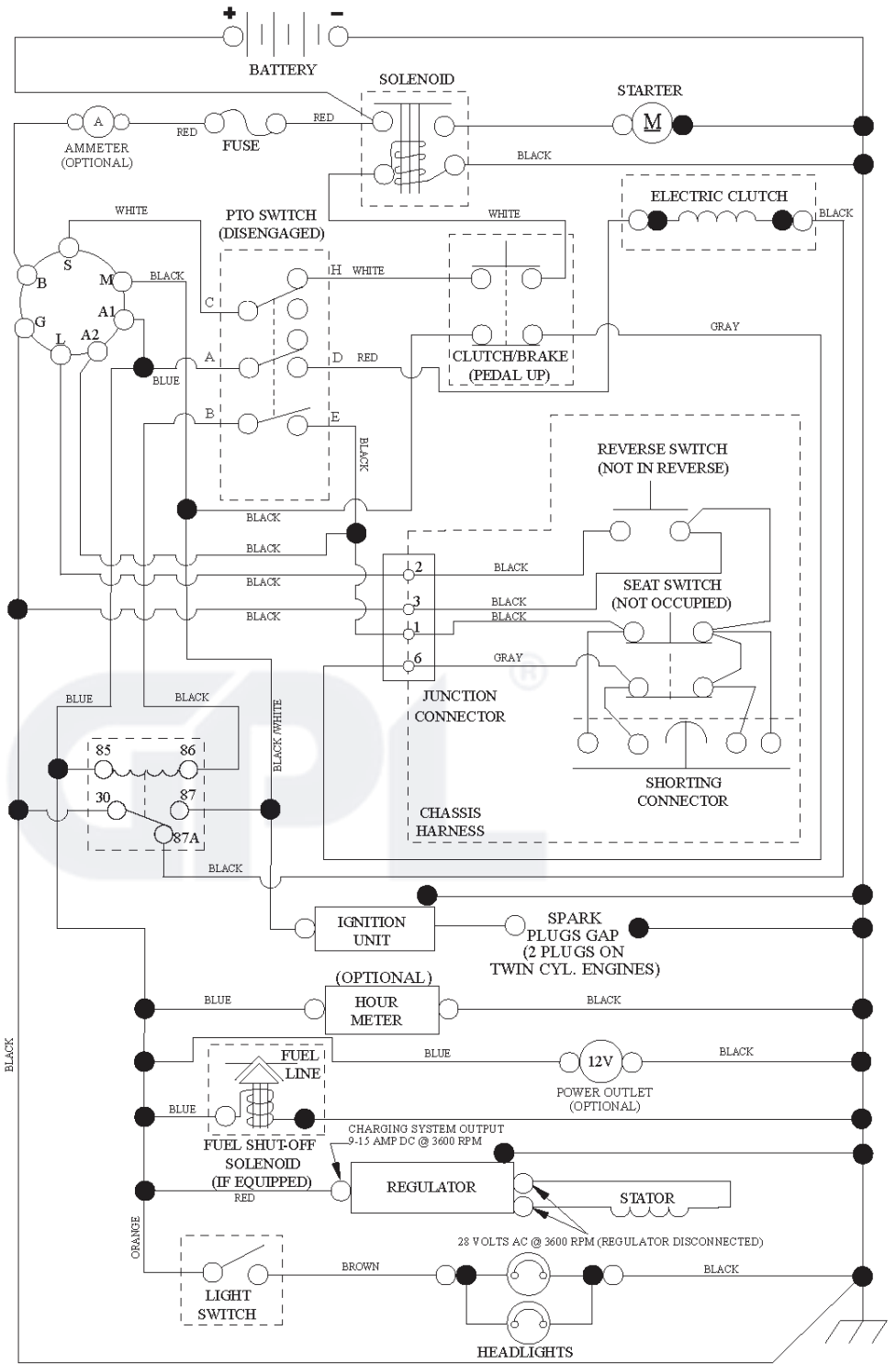
SPARK ARRESTER KIT

engine-tex_bs-2cyl_156

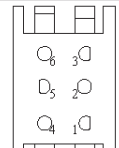
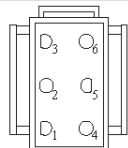


REF.	PART NO.	DESCRIPTION	REMARK	QTY.	KIT
1	000000000	W/O DESCRIPTION	Engine Briggs Model No. 40R777-0003-B1 (585767001)	1	
2	532149723	MUFFLER		1	
9	501832601	KEEPER		1	
11	587241601	CLUTCH		1	
12	532405097	PULLEY		1	
15	581290101	TANK		1	
18	532430220	FUEL CAP		1	
20	532423502	CONTROL		1	
21	532416358	SCREW		1	
28	532137040	HOSE		1	
29	532137180	SPARK ARRESTER KIT		1	
37	532123487	HOSE CLAMP		1	
41	532126197	WASHER		1	
42	810040700	WASHER		1	
45	873510400	NUT		1	
62	532434017	SHIELD		1	
69	532165391	GASKET		1	
70	581881101	TUBE		1	
71	581881001	TUBE		1	
79	532183906	SCREW		1	
81	532148456	TUBE		1	
82	532428287	PLUG		1	
84	817060620	SCREW		1	
85	532179953	BOLT		1	
90	817000616	SCREW		1	
96	819091416	WASHER		1	
97	817670412	SCREW		1	
102	817000512	SCREW		1	
105	501268602	SAFETY GUARD		1	
106	501268702	SAFETY GUARD		1	
108	587179503	COVER		1	
115	532431761	RETAINER		1	
136	532421756	SCREW		1	



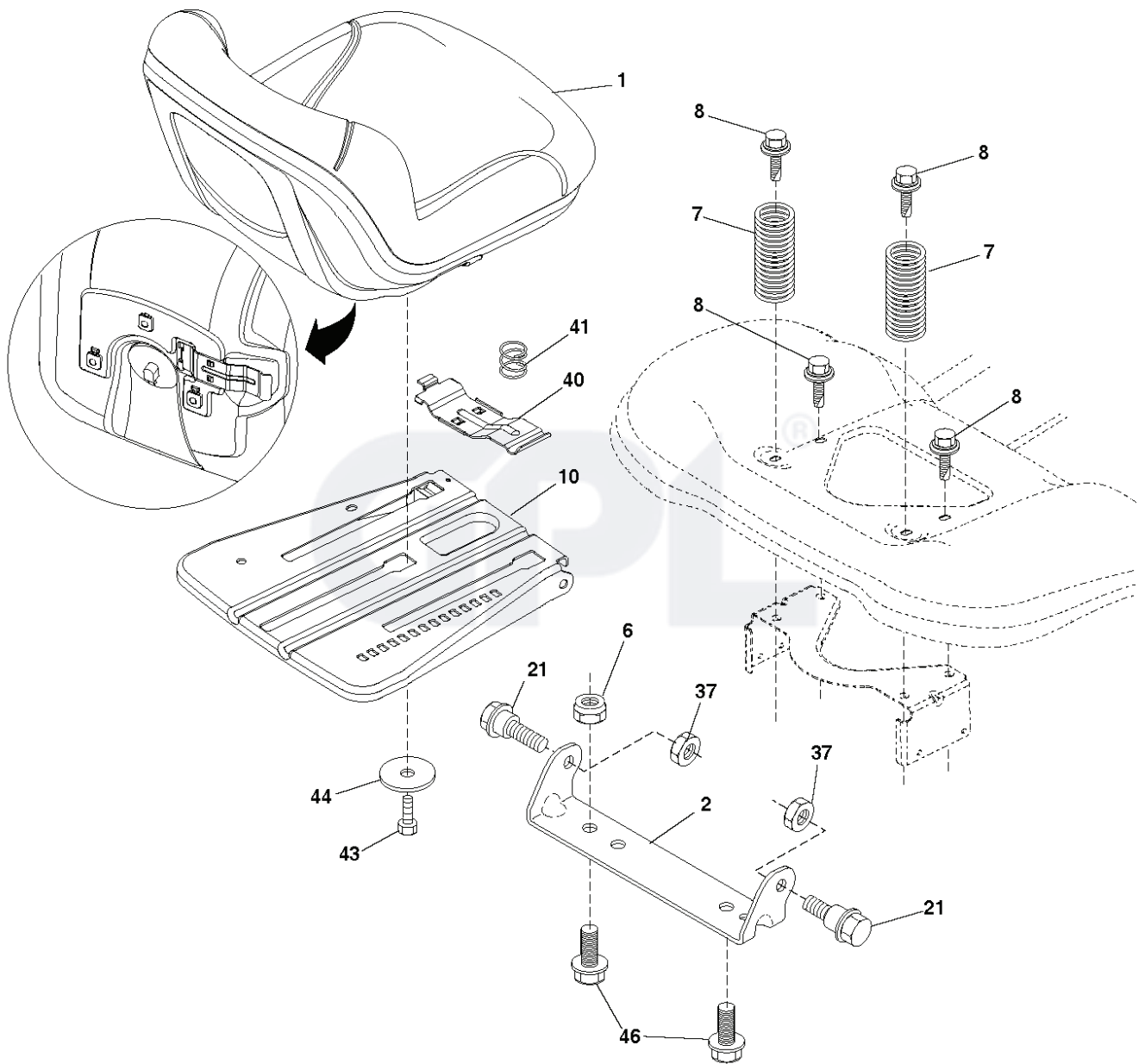


POSITION	CIRCUIT	"MAKE"
OFF	M+G+A1	
RUN/OVERRIDE	B+A1	
RUN	B+A1	L+A2
START	B + S + A1	



WIRING INSULATED CLIPS
 NOTE: IF WIRING INSULATED CLIPS WERE REMOVED FOR SERVICING OF UNIT, THEY SHOULD BE RE-INSTALLED TO PROPERLY SECURE YOUR WIRING.

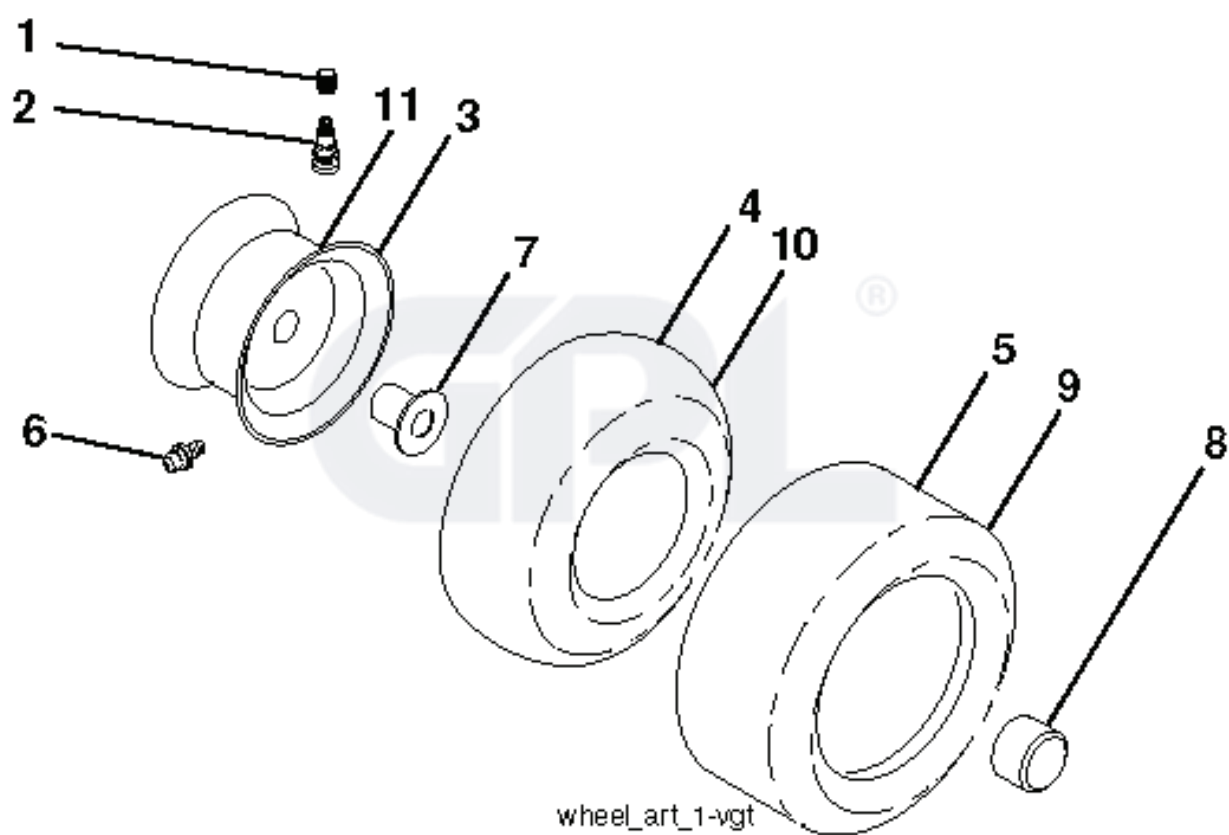




seal-tex_6.5SL_9

REF.	PART NO.	DESCRIPTION	REMARK	QTY.	KIT
1	581462201	SEAT		1	
2	532180166	BRACKET		1	
3	532140675	STRAP		1	
6	873800600	NUT		1	
7	532124181	SPRING		1	
8	532171877	BOLT		1	
10	532196977	PLATE		1	
21	532171852	BOLT		1	
37	873800500	LOCK NUT		1	
40	532197661	HANDLE		1	
41	532198200	SPRING		1	
43	874760612	BOLT		1	
44	819133812	WASHER		1	
46	588090401	BOLT		1	





wheel_art_1-vgt

REF.	PART NO.	DESCRIPTION	REMARK	QTY.	KIT
1	532059192	CAP VALVE		1	
2	532065139	NIPPLE		1	
3	532125121	RIM	FRONT	1	
4	532059904	HOSE	(Service Item Only)	1	
5	532106222	TIRE	FRONT (15 X 6-6)	1	
6	532124957	FITTING	(Front Wheel Only)	1	
7	532124959	BEARING	(Front Wheel Only)	1	
8	532193268	HUB CAP		1	
9	532138468	TIRE	REAR (20 X 8-8)	1	
10	532124926	HOSE	(Service Item Only)	1	
11	532125122	RIM	REAR	1	
--	532144334	SEALING FOAM		1	
	PART NO.		REMARK		KIT

