

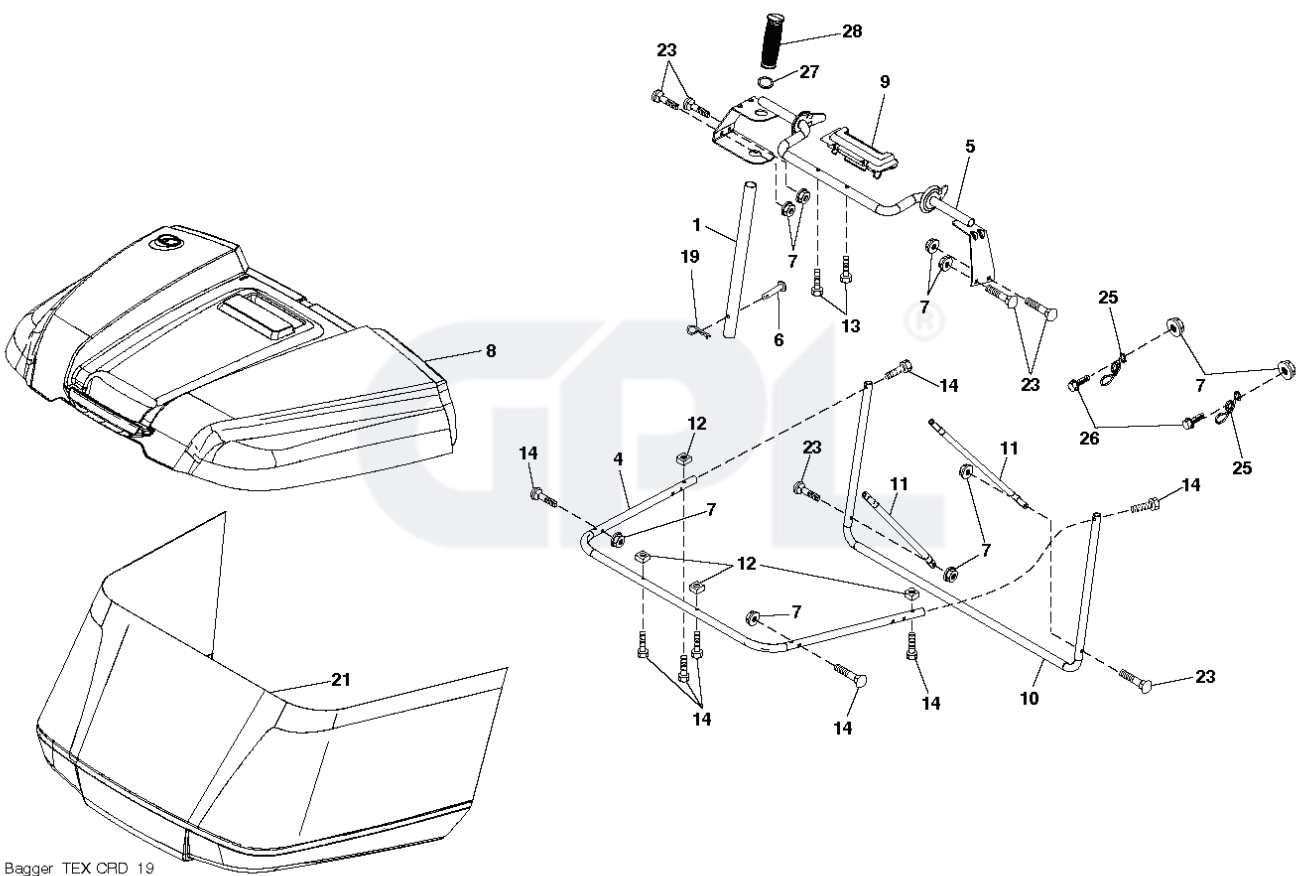
M125-97TC, 96051009700, 2013-06



---

**SPARE PARTS LIST**



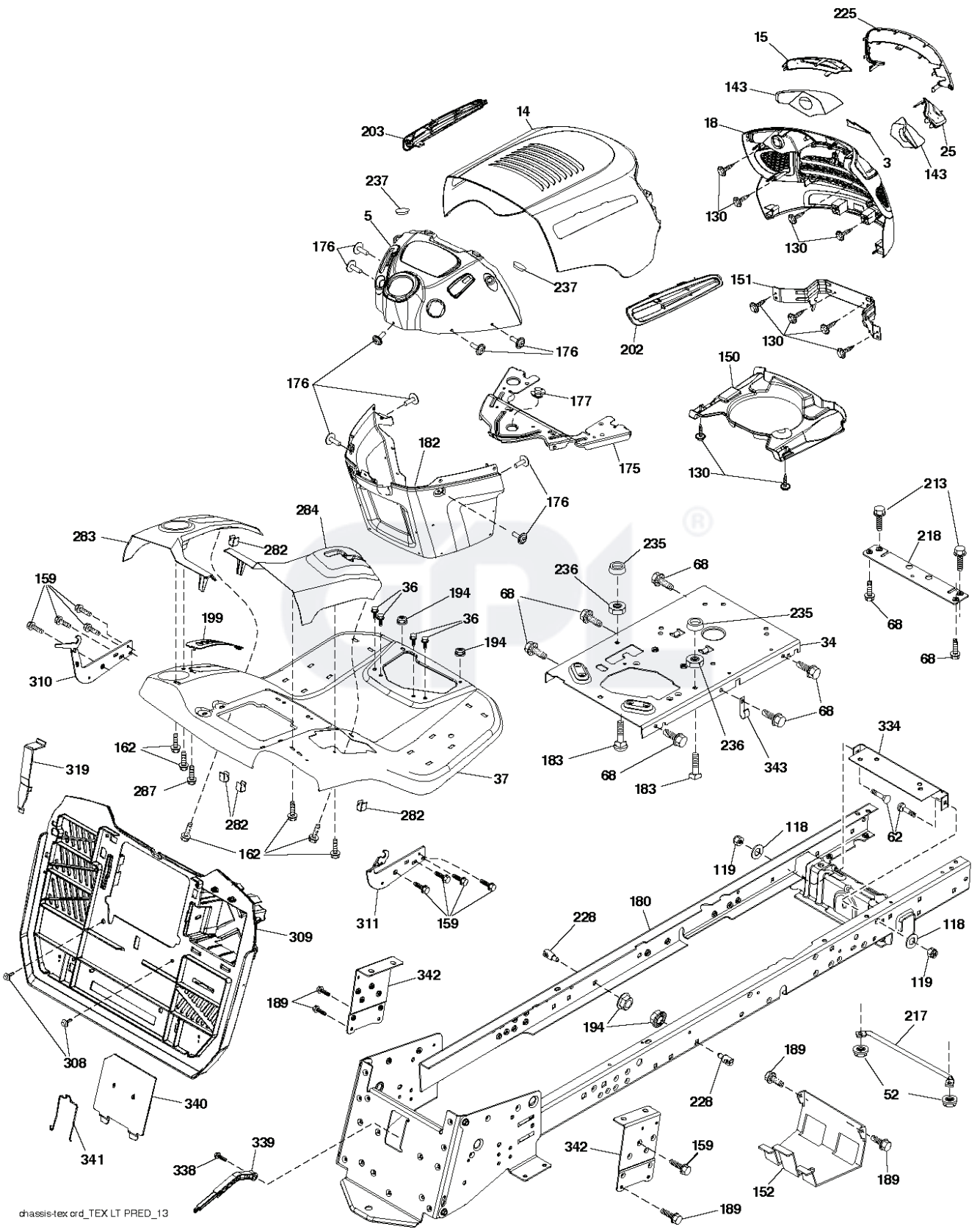


Bagger\_TEX CRD\_19

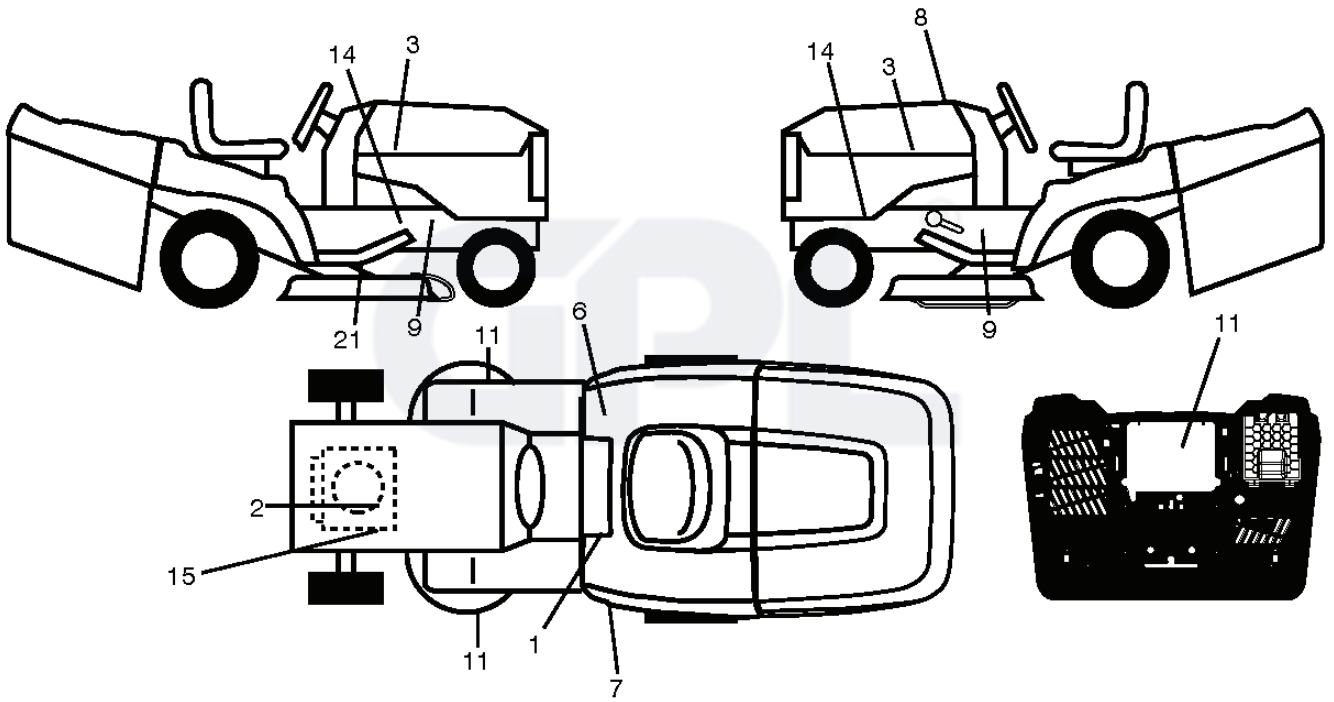
---

| REF. | PART NO.  | DESCRIPTION | REMARK | QTY. | KIT |
|------|-----------|-------------|--------|------|-----|
| 1    | 532428610 | TUBE        |        | 1    |     |
| 4    | 532439612 | TUBE        |        | 1    |     |
| 5    | 532417632 | FRAME       |        | 1    |     |
| 6    | 532126875 | RIVET       |        | 1    |     |
| 7    | 873900400 | NUT         |        | 1    |     |
| 8    | 532425954 | COVER       |        | 1    |     |
| 9    | 532417629 | INSERT      |        | 1    |     |
| 10   | 532436770 | FRAME       |        | 1    |     |
| 11   | 532436771 | BRACE       |        | 1    |     |
| 12   | 532421793 | NUT SQUARE  |        | 1    |     |
| 13   | 532421780 | SCREW       |        | 1    |     |
| 14   | 532421800 | BOLT        |        | 1    |     |
| 19   | 532194208 | PIN         |        | 1    |     |
| 21   | 581337001 | BAG         |        | 1    |     |
| 23   | 872040410 | BOLT        |        | 1    |     |
| 25   | 532421614 | SPRING      |        | 1    |     |
| 26   | 817490412 | SCREW       |        | 1    |     |
| 27   | 532421262 | GROMMET     |        | 1    |     |
| 28   | 532165787 | HANDLE      |        | 1    |     |





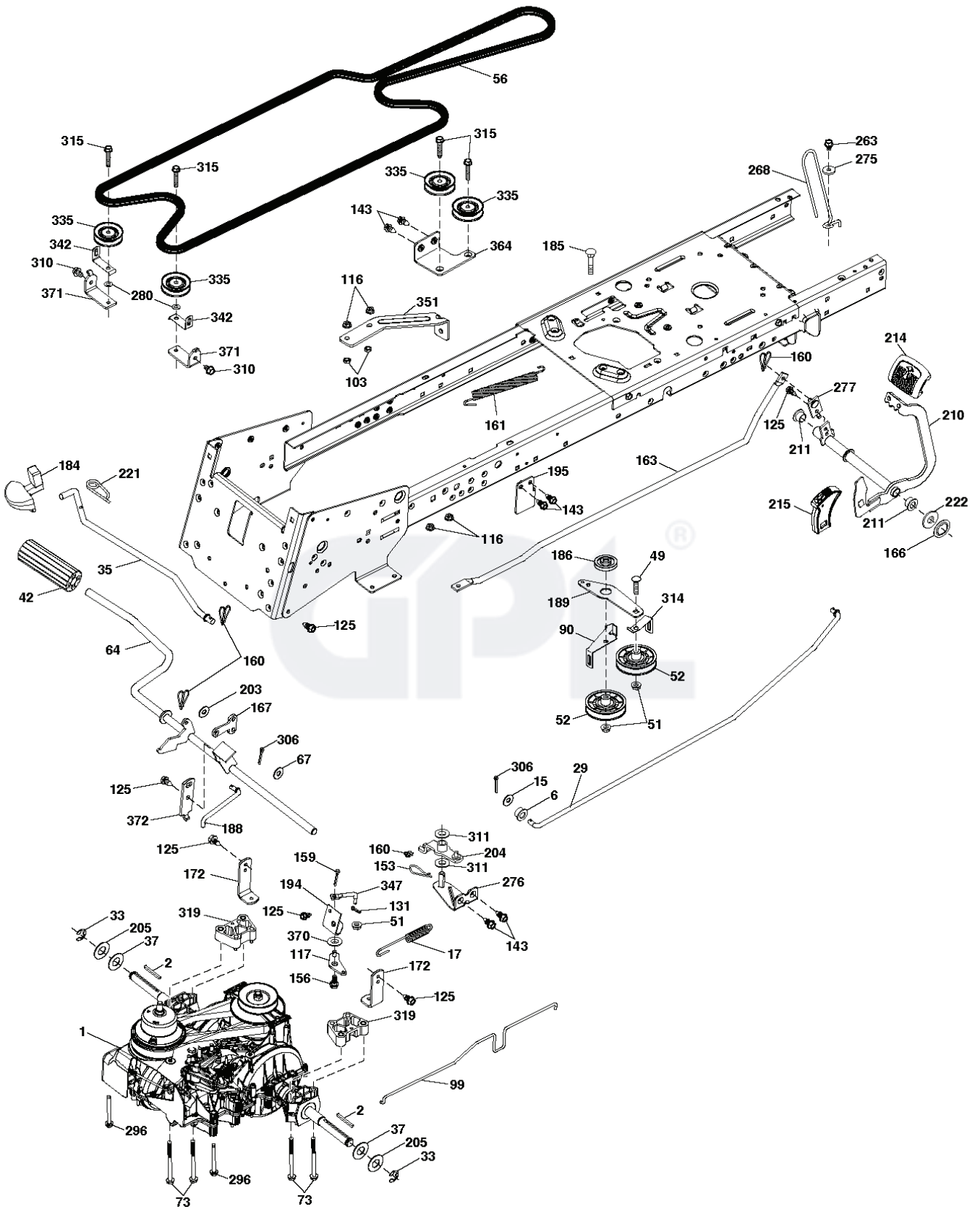
| REF. | PART NO.  | DESCRIPTION   | REMARK | QTY. | KIT |
|------|-----------|---------------|--------|------|-----|
| 3    | 578894101 | FRAME         |        | 1    |     |
| 5    | 532409597 | PANEL         |        | 1    |     |
| 14   | 581564701 | HOOD          |        | 1    |     |
| 15   | 581055801 | LENS          |        | 1    |     |
| 18   | 581055701 | GRILLE        |        | 1    |     |
| 25   | 581055901 | LENS          |        | 1    |     |
| 34   | 580910901 | PLATE         |        | 1    |     |
| 36   | 817060512 | SCREW         |        | 1    |     |
| 37   | 532440849 | FENDER        |        | 1    |     |
| 52   | 873680500 | NUT           |        | 1    |     |
| 62   | 872110608 | BOLT          |        | 1    |     |
| 68   | 817490508 | SCREW         |        | 1    |     |
| 118  | 819131316 | WASHER        |        | 1    |     |
| 119  | 873680600 | NUT           |        | 1    |     |
| 130  | 532416358 | SCREW         |        | 1    |     |
| 143  | 581056001 | INSERT        |        | 1    |     |
| 150  | 532400267 | AIR CONDUCTOR |        | 1    |     |
| 151  | 532187568 | BRACKET       |        | 1    |     |
| 152  | 532199535 | SHIELD        |        | 1    |     |
| 159  | 817000612 | SCREW         |        | 1    |     |
| 162  | 532142432 | SCREW         |        | 1    |     |
| 175  | 532199472 | PLATE         |        | 1    |     |
| 176  | 532400776 | SCREW         |        | 1    |     |
| 177  | 532195228 | BUSHING       |        | 1    |     |
| 180  | 583902801 | CHASSIS       |        | 1    |     |
| 182  | 532407176 | DASH          |        | 1    |     |
| 183  | 874520520 | BOLT          |        | 1    |     |
| 189  | 817000512 | SCREW         |        | 1    |     |
| 194  | 873900500 | NUT           |        | 1    |     |
| 199  | 532418739 | PLATE         |        | 1    |     |
| 202  | 581564901 | VENT          |        | 1    |     |
| 203  | 581564801 | VENT          |        | 1    |     |
| 213  | 874760512 | BOLT          |        | 1    |     |
| 217  | 532409167 | ROD           |        | 1    |     |
| 218  | 532196395 | PLATE         |        | 1    |     |
| 225  | 581056201 | TRIM          |        | 1    |     |
| 228  | 532195161 | STUD          |        | 1    |     |
| 235  | 532406129 | SPACER        |        | 1    |     |
| 236  | 873930500 | NUT           |        | 1    |     |
| 237  | 532403704 | PLUG          |        | 1    |     |
| 282  | 532414110 | CLIP          |        | 1    |     |
| 283  | 532440361 | CONSOLE       |        | 1    |     |
| 284  | 532440360 | CONSOLE       |        | 1    |     |
| 287  | 817600406 | SCREW         |        | 1    |     |
| 308  | 532171877 | BOLT          |        | 1    |     |
| 309  | 584441101 | BACKPLATE     |        | 1    |     |
| 310  | 532446636 | BRACKET       |        | 1    |     |
| 311  | 532446637 | BRACKET       |        | 1    |     |
| 319  | 532174662 | BRACKET       |        | 1    |     |
| 334  | 532442537 | BRACKET       |        | 1    |     |
| 338  | 532436640 | BOLT          |        | 1    |     |
| 339  | 532436641 | LEVER         |        | 1    |     |
| 340  | 532440931 | DOOR          |        | 1    |     |
| 341  | 532436638 | LATCH         |        | 1    |     |
| 342  | 532435938 | SUPPORT       |        | 1    |     |
| 343  | 532440749 | CLIP          |        | 1    |     |



---

| REF. | PART NO.  | DESCRIPTION | REMARK | QTY. | KIT |
|------|-----------|-------------|--------|------|-----|
| 1    | 581578301 | DECAL       |        | 1    |     |
| 2    | 581579701 | DECAL       |        | 1    |     |
| 3    | 581091201 | DECAL       |        | 1    |     |
| 6    | 581724101 | DECAL       |        | 1    |     |
| 7    | 581950201 | DECAL       |        | 1    |     |
| 8    | 581759001 | DECAL       |        | 1    |     |
| 9    | 581579801 | DECAL       |        | 1    |     |
| 11   | 581579101 | DECAL       |        | 1    |     |
| 14   | 581579601 | DECAL       |        | 1    |     |
| 15   | 532437410 | DECAL       |        | 1    |     |
| 21   | 532441189 | DECAL       |        | 1    |     |
| --   | 532442744 | DECAL       |        | 1    |     |
| --   | 581579701 | DECAL       |        | 1    |     |
| --   | 532425986 | PAD         |        | 1    |     |
| --   | 532425976 | PAD         |        | 1    |     |

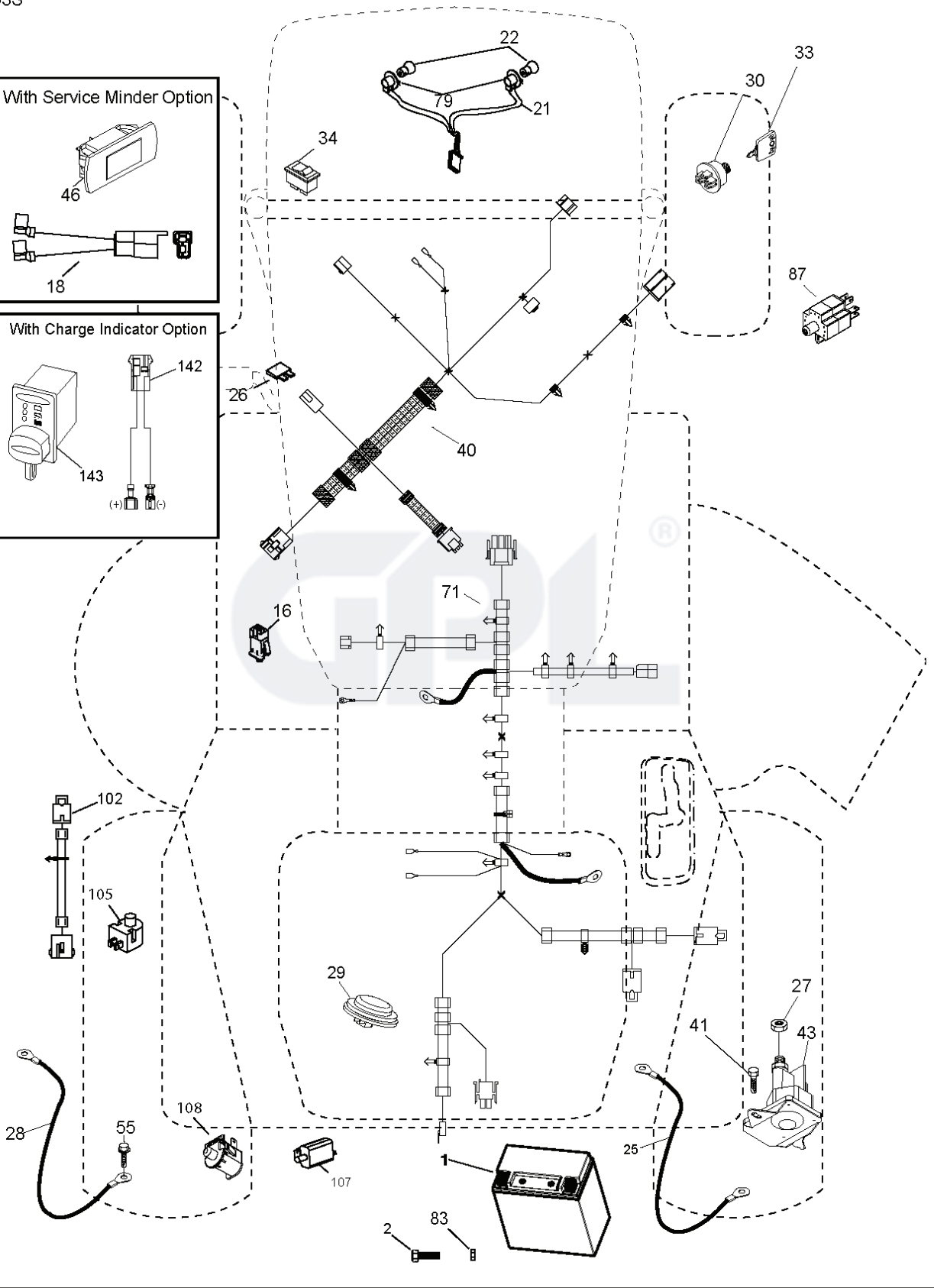
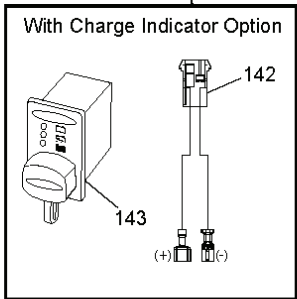
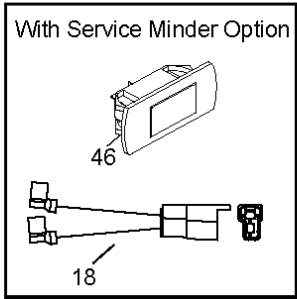




drive-CRD\_VATR\_PEDAL\_16

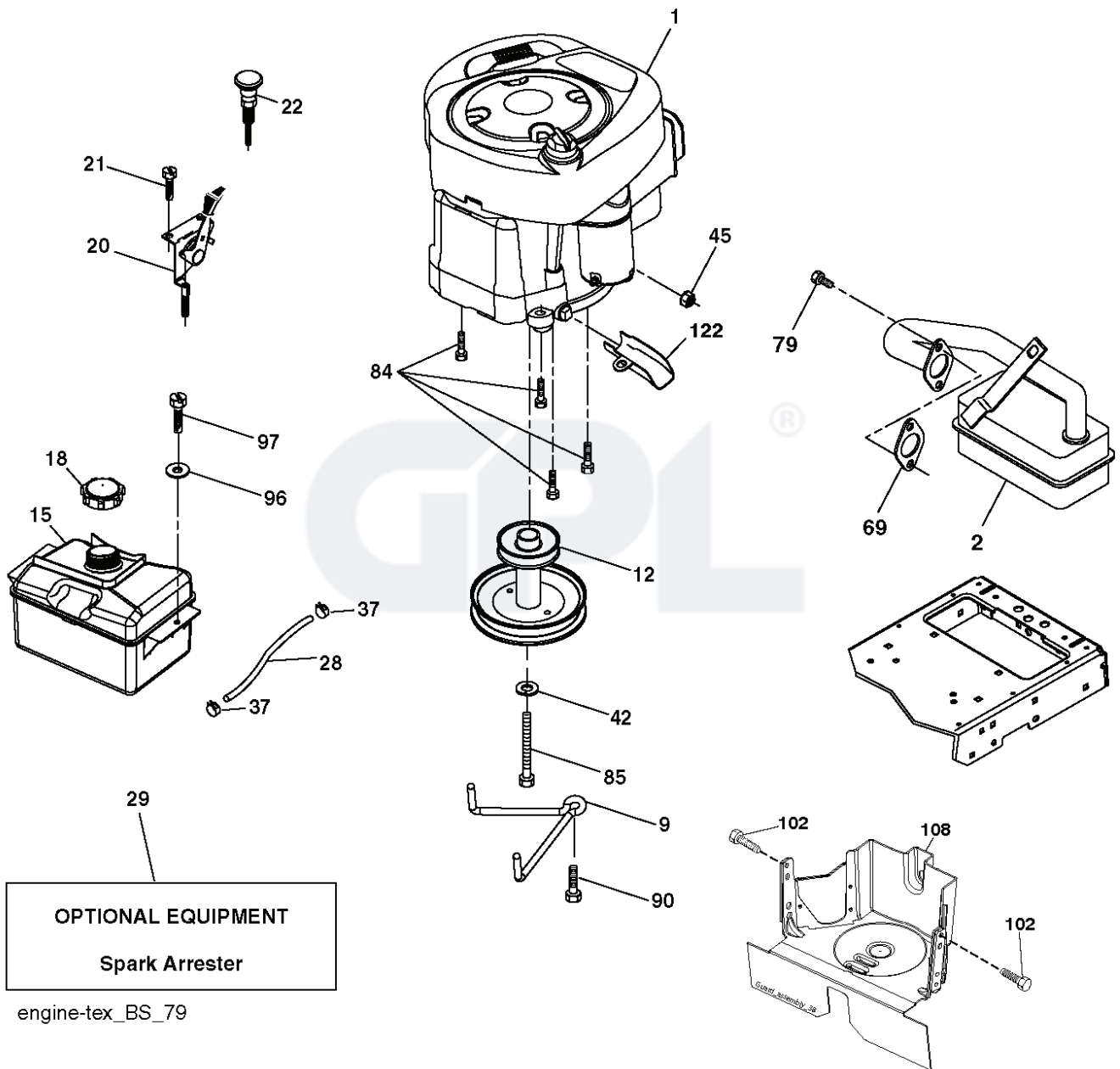
| REF. | PART NO.  | DESCRIPTION     | REMARK                                     | QTY. | KIT |
|------|-----------|-----------------|--|------|-----|
| 1    | 000000000 | W/O DESCRIPTION | Transmission, Gentrans VATR<br>(580486401) | 1    |     |
| 2    | 532123583 | KEY             |  | 1    |     |
| 6    | 532124028 | BUSHING         |  | 1    |     |
| 15   | 819131316 | WASHER          |  | 1    |     |
| 17   | 580325201 | SPRING          |  | 1    |     |
| 29   | 581187401 | ROD             |  | 1    |     |
| 33   | 812000001 | RETAINER RING   |  | 1    |     |
| 35   | 532401031 | ROD             |  | 1    |     |
| 37   | 532188967 | WASHER          |  | 1    |     |
| 42   | 532124872 | PEDAL RUBBER    |  | 1    |     |
| 49   | 872110614 | BOLT            |  | 1    |     |
| 51   | 873900600 | NUT             |  | 1    |     |
| 52   | 532194326 | PULLEY          |  | 1    |     |
| 56   | 532446991 | BELT            |  | 1    |     |
| 64   | 532448353 | SHAFT           |  | 1    |     |
| 67   | 819131312 | WASHER          |  | 1    |     |
| 73   | 580830401 | BOLT            |  | 1    |     |
| 90   | 532443605 | KEEPER          |  | 1    |     |
| 99   | 581280901 | ROD             |  | 1    |     |
| 103  | 873350500 | NUT             |  | 1    |     |
| 116  | 873900500 | NUT             |  | 1    |     |
| 117  | 580382901 | BELL CRANK      |  | 1    |     |
| 125  | 817000512 | SCREW           |  | 1    |     |
| 131  | 876020308 | SPLIT PIN       |  | 1    |     |
| 143  | 817490508 | SCREW           |  | 1    |     |
| 153  | 532124961 | CLIP            |  | 1    |     |
| 156  | 580369001 | BOLT            |  | 1    |     |
| 159  | 876020412 | SPLIT PIN       |  | 1    |     |
| 160  | 532169484 | PIN             |  | 1    |     |
| 161  | 532105709 | SPRING          |  | 1    |     |
| 163  | 581187301 | ROD             |  | 1    |     |
| 166  | 532429164 | NUT             |  | 1    |     |
| 167  | 532405257 | LATCH           |  | 1    |     |
| 172  | 532448276 | STRAP           |  | 1    |     |
| 184  | 532441407 | BRAKE           |  | 1    |     |
| 185  | 872110622 | BOLT            |  | 1    |     |
| 186  | 532194321 | SPACER          |  | 1    |     |
| 188  | 532194323 | LINK            |  | 1    |     |
| 189  | 532433611 | BELLCRANK       |  | 1    |     |
| 194  | 583878601 | BRACKET         |  | 1    |     |
| 195  | 580456901 | BRACKET         |  | 1    |     |
| 203  | 819111116 | WASHER          |  | 1    |     |
| 204  | 584997001 | LINK            |  | 1    |     |
| 205  | 532121748 | WASHER          |  | 1    |     |
| 210  | 532448270 | PEDAL           |  | 1    |     |
| 211  | 532120183 | BEARING         |  | 1    |     |
| 214  | 532421263 | PAD             |  | 1    |     |
| 215  | 532448254 | PAD             |  | 1    |     |
| 221  | 532403187 | SPRING          |  | 1    |     |
| 222  | 879212010 | WASHER          |  | 1    |     |
| 263  | 817000612 | SCREW           |  | 1    |     |
| 268  | 532182402 | PROTECTOR       |  | 1    |     |
| 275  | 819131614 | WASHER          |  | 1    |     |
| 276  | 584996701 | BRACKET         |  | 1    |     |
| 277  | 532448500 | LINK            |  | 1    |     |
| 280  | 819111012 | WASHER          |  | 1    |     |
| 296  | 532420471 | SCREW           |  | 1    |     |
| 306  | 876020416 | SPLIT PIN       |  | 1    |     |
| 310  | 817490608 | SCREW           |  | 1    |     |
| 311  | 584072001 | NUT             |  | 1    |     |
| 314  | 532444713 | RETAINER        |  | 1    |     |
| 315  | 817580520 | BOLT            |  | 1    |     |
| 319  | 580457401 | SPACER          |  | 1    |     |
| 335  | 532199534 | PULLEY          |  | 1    |     |
| 342  | 580961002 | KEEPER          |  | 1    |     |
| 347  | 580325101 | ROD             |  | 1    |     |
| 351  | 532436998 | BRACKET         |  | 1    |     |
| 364  | 532443032 | BRACKET         |  | 1    |     |
| 370  | 878121632 | WASHER          |  | 1    |     |
| 371  | 580960702 | BRACKET         |  | 1    |     |
| 372  | 581475201 | ARM             |  | 1    |     |

TC03S



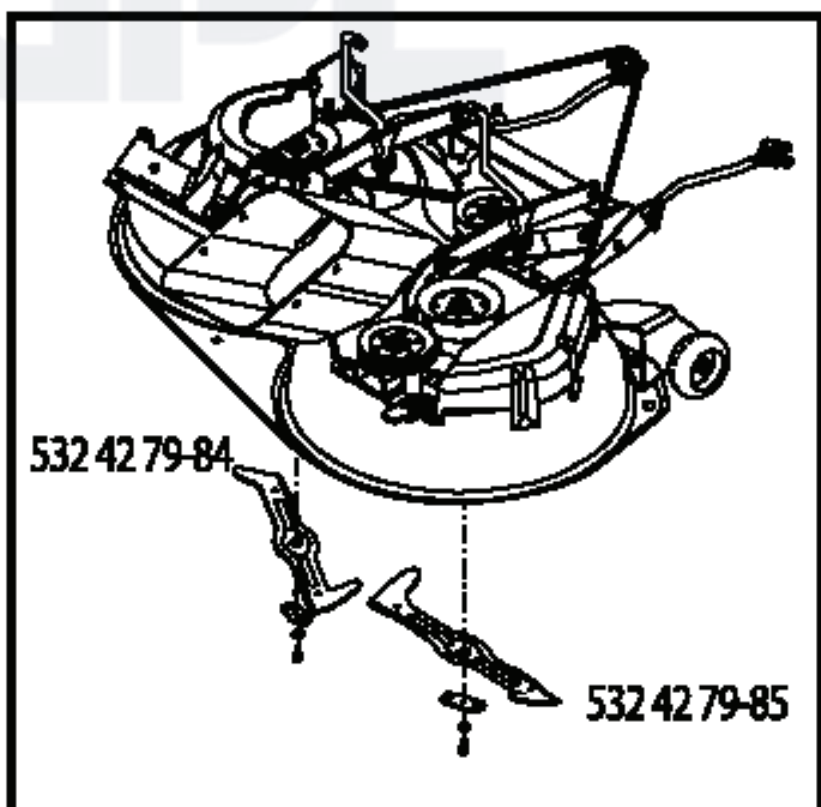
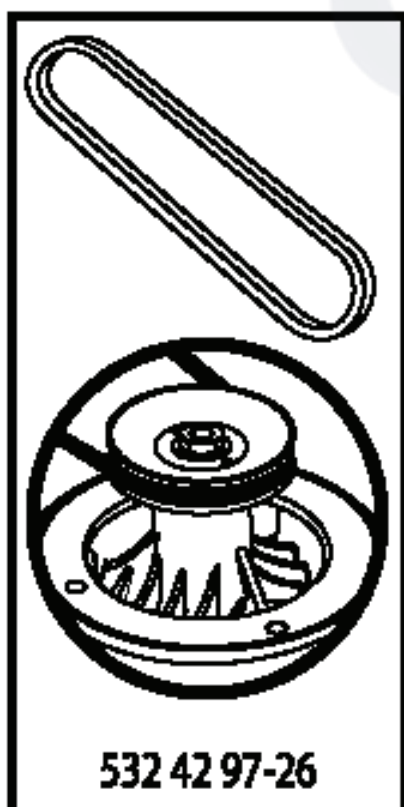
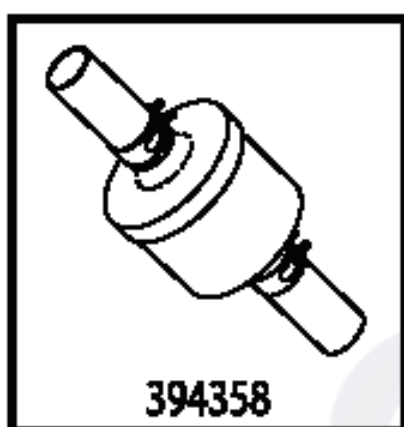
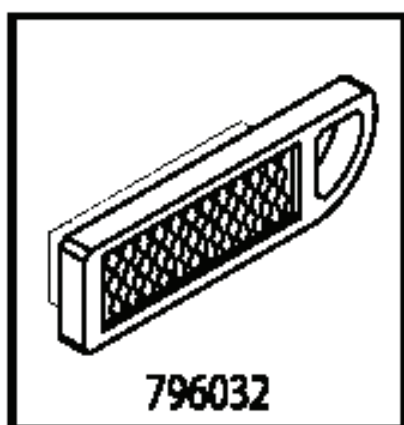
| REF. | PART NO.  | DESCRIPTION     | REMARK | QTY. | KIT |
|------|-----------|-----------------|--------|------|-----|
| 1    | 532437157 | BATTERY         |        | 1    |     |
| 2    | 532440923 | SCREW           |        | 1    |     |
| 16   | 532176138 | MICRO SWITCH    |        | 1    |     |
| 21   | 532400252 | HARNESS         |        | 1    |     |
| 22   | 532004152 | BULB            |        | 1    |     |
| 25   | 581489801 | CABLE           |        | 1    |     |
| 26   | 532175158 | FUSE            |        | 1    |     |
| 27   | 873510400 | NUT             |        | 1    |     |
| 28   | 581489802 | CABLE           |        | 1    |     |
| 29   | 532401545 | SWITCH          |        | 1    |     |
| 30   | 532193350 | IGNITION MODULE |        | 1    |     |
| 33   | 532411935 | KEY             |        | 1    |     |
| 34   | 532110712 | SWITCH          |        | 1    |     |
| 40   | 532421002 | HARNESS         |        | 1    |     |
| 41   | 817720408 | SCREW           |        | 1    |     |
| 43   | 532192507 | SOLENOID        |        | 1    |     |
| 55   | 817060512 | SCREW           |        | 1    |     |
| 71   | 581023301 | HARNESS         |        | 1    |     |
| 79   | 532175242 | HOLDER          |        | 1    |     |
| 83   | 532436774 | NUT             |        | 1    |     |
| 87   | 532421060 | SWITCH          |        | 1    |     |
| 102  | 581023501 | HARNESS         |        | 1    |     |
| 105  | 532407568 | SWITCH          |        | 1    |     |
| 107  | 532180379 | SWITCH FBI      |        | 1    |     |
| 108  | 532421062 | SWITCH          |        | 1    |     |





| REF. | PART NO.  | DESCRIPTION        | REMARK   | QTY. | KIT |
|------|-----------|--------------------|--|------|-----|
| 1    | 000000000 | W/O DESCRIPTION    | ENGINE B&S MODEL<br>219807-3402-B1<br>(438614) | 1    |     |
| 2    | 532179758 | MUFFLER            |  | 1    |     |
| 9    | 583847801 | KEEPER             |  | 1    |     |
| 12   | 532405471 | PULLEY             |  | 1    |     |
| 15   | 581289901 | TANK               |  | 1    |     |
| 18   | 532430220 | FUEL CAP           |  | 1    |     |
| 20   | 532183897 | CONTROL            |  | 1    |     |
| 21   | 532416358 | SCREW              |  | 1    |     |
| 22   | 532194981 | CONTROL            |  | 1    |     |
| 28   | 532137040 | HOSE               |  | 1    |     |
| 29   | 532137180 | SPARK ARRESTER KIT |  | 1    |     |
| 37   | 532123487 | HOSE CLAMP         |  | 1    |     |
| 42   | 810040700 | WASHER             |  | 1    |     |
| 45   | 873510400 | NUT                |  | 1    |     |
| 69   | 532165291 | GASKET             |  | 1    |     |
| 79   | 532192334 | SCREW              |  | 1    |     |
| 84   | 817060620 | SCREW              |  | 1    |     |
| 85   | 532173937 | BOLT               |  | 1    |     |
| 90   | 817000616 | SCREW              |  | 1    |     |
| 96   | 819091416 | WASHER             |  | 1    |     |
| 97   | 817670412 | SCREW              |  | 1    |     |
| 102  | 817060516 | SCREW              |  | 1    |     |
| 108  | 532423041 | COVER              |  | 1    |     |
| 122  | 532421922 | EXTENSION PIPE     |  | 1    |     |



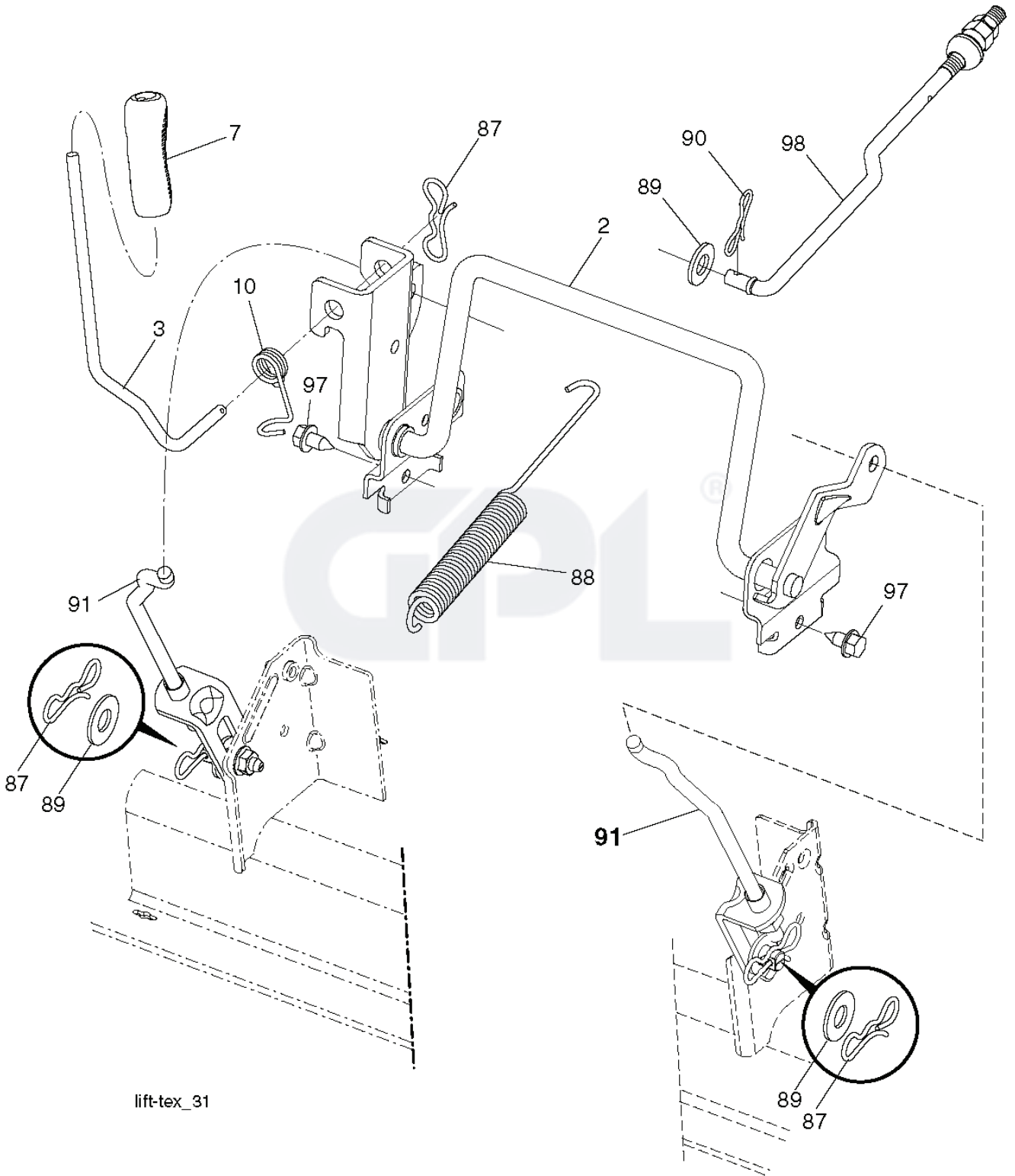


581759001

---

| REF.      | PART NO.  | DESCRIPTION   | REMARK | QTY. | KIT |
|-----------|-----------|---------------|--------|------|-----|
| 796032    | 796032    | TBD           |        | 1    |     |
| QC12YC    | QC12YC    | TBD           |        | 1    |     |
| 394358    | 394358    | FILTER        |        | 1    |     |
| 532446991 | 532446991 | BELT          |        | 1    |     |
| 532429726 | TBD       | TBD           |        | 1    |     |
| 532427984 | 532427984 | RIDE ON BLADE |        | 1    |     |
| 532427985 | 532427985 | BLADE         |        | 1    |     |



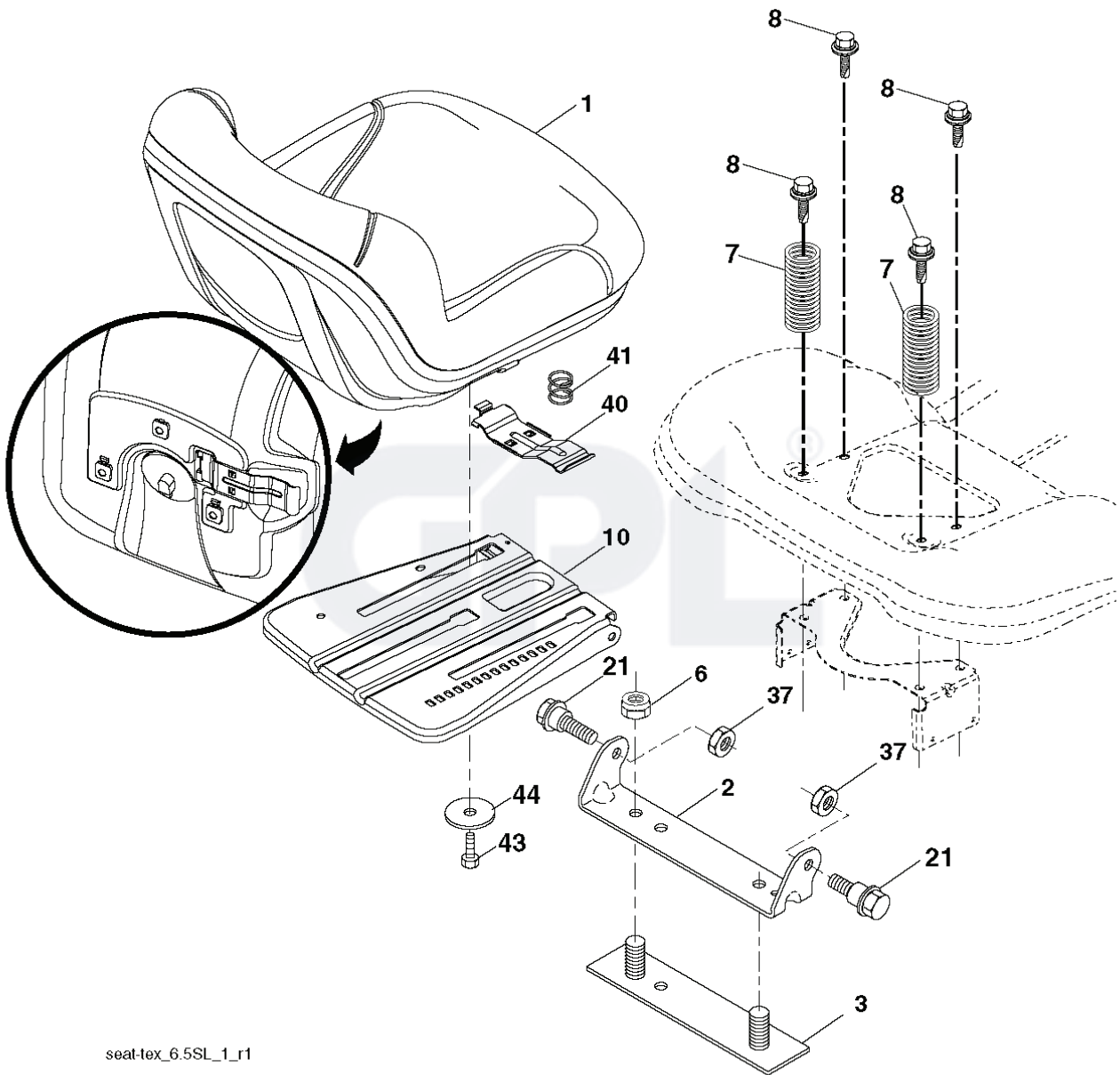


lift-tex\_31

---

| REF. | PART NO.  | DESCRIPTION | REMARK | QTY. | KIT |
|------|-----------|-------------|--------|------|-----|
| 2    | 532436996 | SHAFT       |        | 1    |     |
| 3    | 532195231 | LEVER       |        | 1    |     |
| 7    | 580962301 | GRIP        |        | 1    |     |
| 10   | 532196314 | SPRING      |        | 1    |     |
| 87   | 532194209 | SPRING      |        | 1    |     |
| 88   | 532436995 | SPRING      |        | 1    |     |
| 89   | 819191912 | WASHER      |        | 1    |     |
| 90   | 532194208 | PIN         |        | 1    |     |
| 91   | 532195181 | LINK        |        | 1    |     |
| 97   | 817490608 | SCREW       |        | 1    |     |
| 98   | 532420525 | LINK        |        | 1    |     |



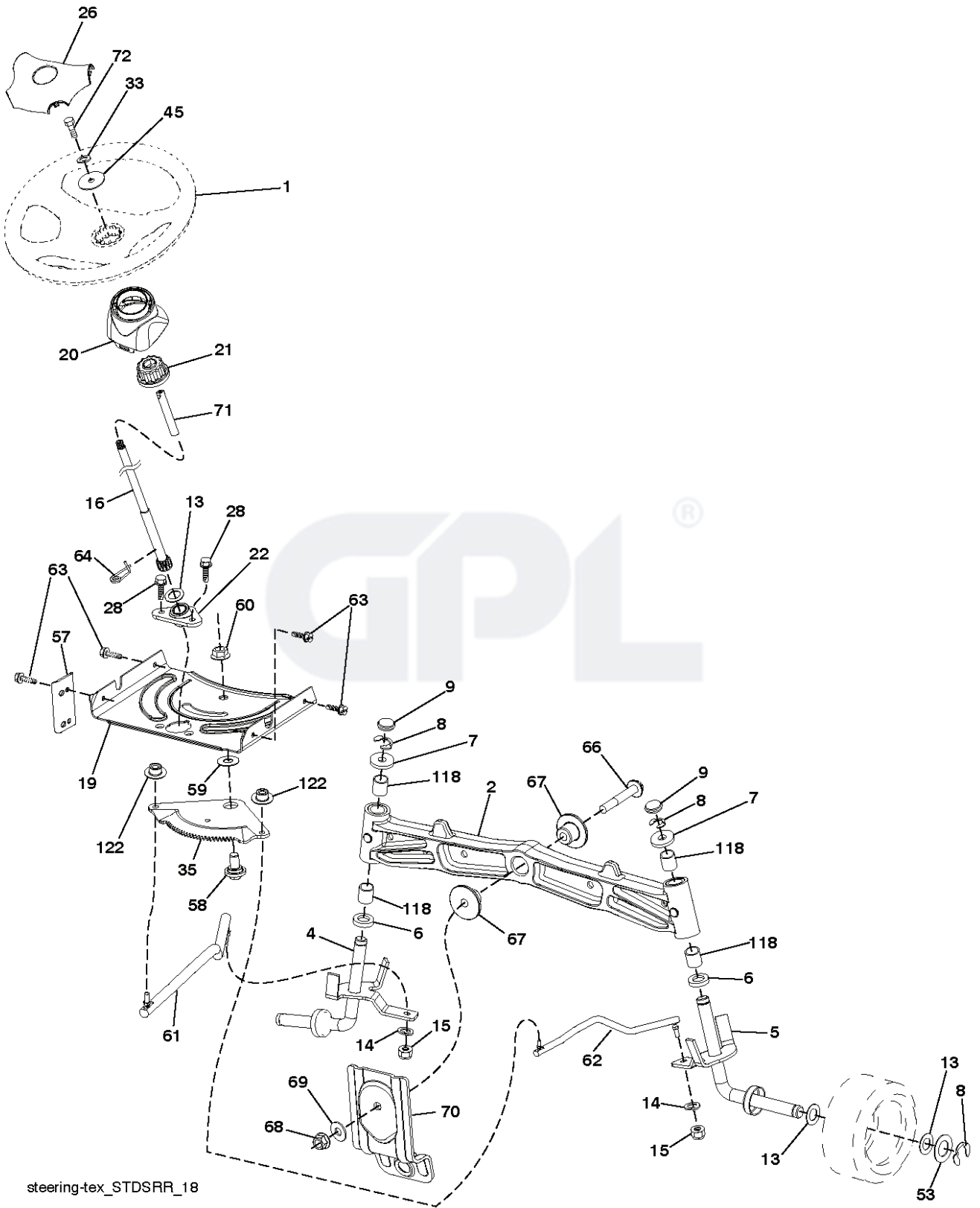


seat-hex\_6.5SL\_1\_r1

---

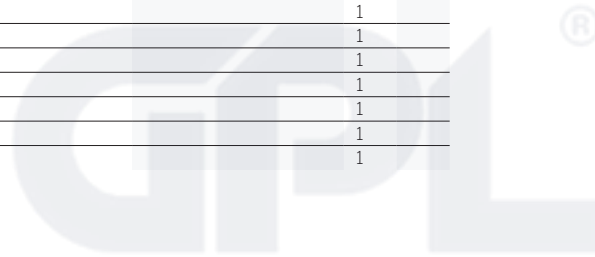
| REF. | PART NO.  | DESCRIPTION | REMARK | QTY. | KIT |
|------|-----------|-------------|--------|------|-----|
| 1    | 581462001 | SEAT        |        | 1    |     |
| 2    | 532180166 | BRACKET     |        | 1    |     |
| 3    | 532140675 | STRAP       |        | 1    |     |
| 6    | 873800600 | NUT         |        | 1    |     |
| 7    | 532124181 | SPRING      |        | 1    |     |
| 8    | 532171877 | BOLT        |        | 1    |     |
| 10   | 532196977 | PLATE       |        | 1    |     |
| 21   | 532171852 | BOLT        |        | 1    |     |
| 37   | 873800500 | LOCK NUT    |        | 1    |     |
| 40   | 532197661 | HANDLE      |        | 1    |     |
| 41   | 532198200 | SPRING      |        | 1    |     |
| 43   | 874760612 | BOLT        |        | 1    |     |
| 44   | 819133812 | WASHER      |        | 1    |     |

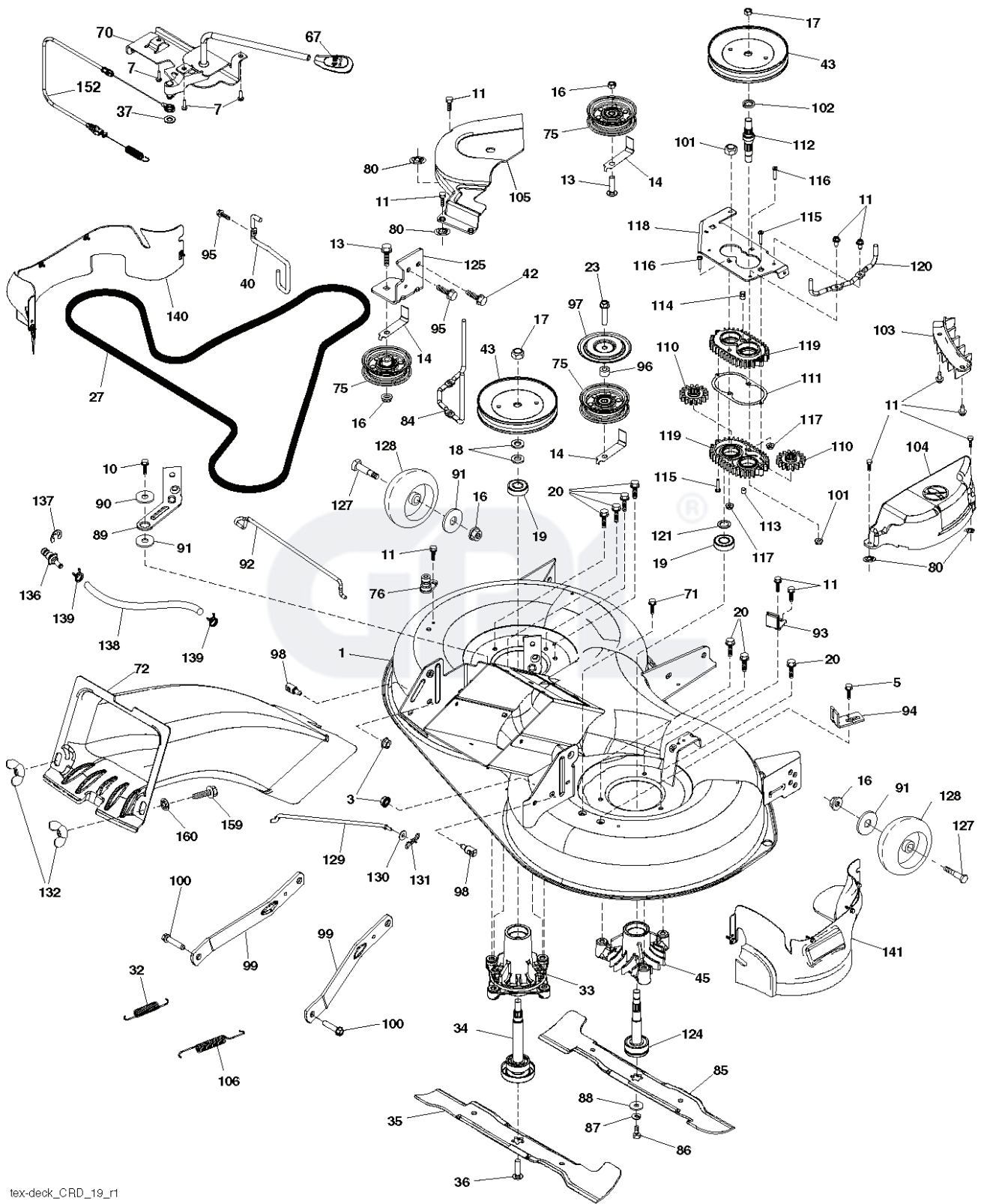




steering-tex\_STDSRR\_18

| REF. | PART NO.  | DESCRIPTION     | REMARK | QTY. | KIT |
|------|-----------|-----------------|--------|------|-----|
| 1    | 532442804 | STEERING WHEEL  |        | 1    |     |
| 2    | 532413591 | LINK ARM        |        | 1    |     |
| 4    | 532403087 | SPINDLE         |        | 1    |     |
| 5    | 532403088 | SPINDLE         |        | 1    |     |
| 6    | 532124931 | WASHER          |        | 1    |     |
| 7    | 532121748 | WASHER          |        | 1    |     |
| 8    | 812000029 | RETAINER RING   |        | 1    |     |
| 9    | 532121232 | HUB CAP         |        | 1    |     |
| 13   | 532121749 | WASHER          |        | 1    |     |
| 14   | 810040600 | WASHER          |        | 1    |     |
| 15   | 873540600 | NUT             |        | 1    |     |
| 16   | 532429373 | SHAFT           |        | 1    |     |
| 19   | 532194729 | PLATE           |        | 1    |     |
| 20   | 532409763 | STEERING COLUMN |        | 1    |     |
| 21   | 532186737 | ADAPTER         |        | 1    |     |
| 22   | 532420537 | SUPPORT         |        | 1    |     |
| 26   | 532447759 | CAP             |        | 1    |     |
| 28   | 817000612 | SCREW           |        | 1    |     |
| 33   | 810040500 | WASHER          |        | 1    |     |
| 35   | 532194732 | PLATE           |        | 1    |     |
| 45   | 819113812 | WASHER          |        | 1    |     |
| 53   | 532188967 | WASHER          |        | 1    |     |
| 57   | 532407465 | BRACKET         |        | 1    |     |
| 58   | 532194747 | BOLT            |        | 1    |     |
| 59   | 532194748 | WASHER          |        | 1    |     |
| 60   | 873971000 | NUT             |        | 1    |     |
| 61   | 532194740 | LINK            |        | 1    |     |
| 62   | 532194741 | LINK            |        | 1    |     |
| 63   | 817000512 | SCREW           |        | 1    |     |
| 64   | 532199849 | SPRING RETAINER |        | 1    |     |
| 66   | 871020748 | BOLT            |        | 1    |     |
| 67   | 532194737 | BUSHING         |        | 1    |     |
| 68   | 873900700 | NUT             |        | 1    |     |
| 69   | 532199162 | WASHER          |        | 1    |     |
| 70   | 532196197 | BRACKET         |        | 1    |     |
| 71   | 532190752 | SHAFT           |        | 1    |     |
| 72   | 532428982 | BOLT            |        | 1    |     |
| 118  | 532406013 | BEARING         |        | 1    |     |
| 122  | 532444962 | CAP             |        | 1    |     |

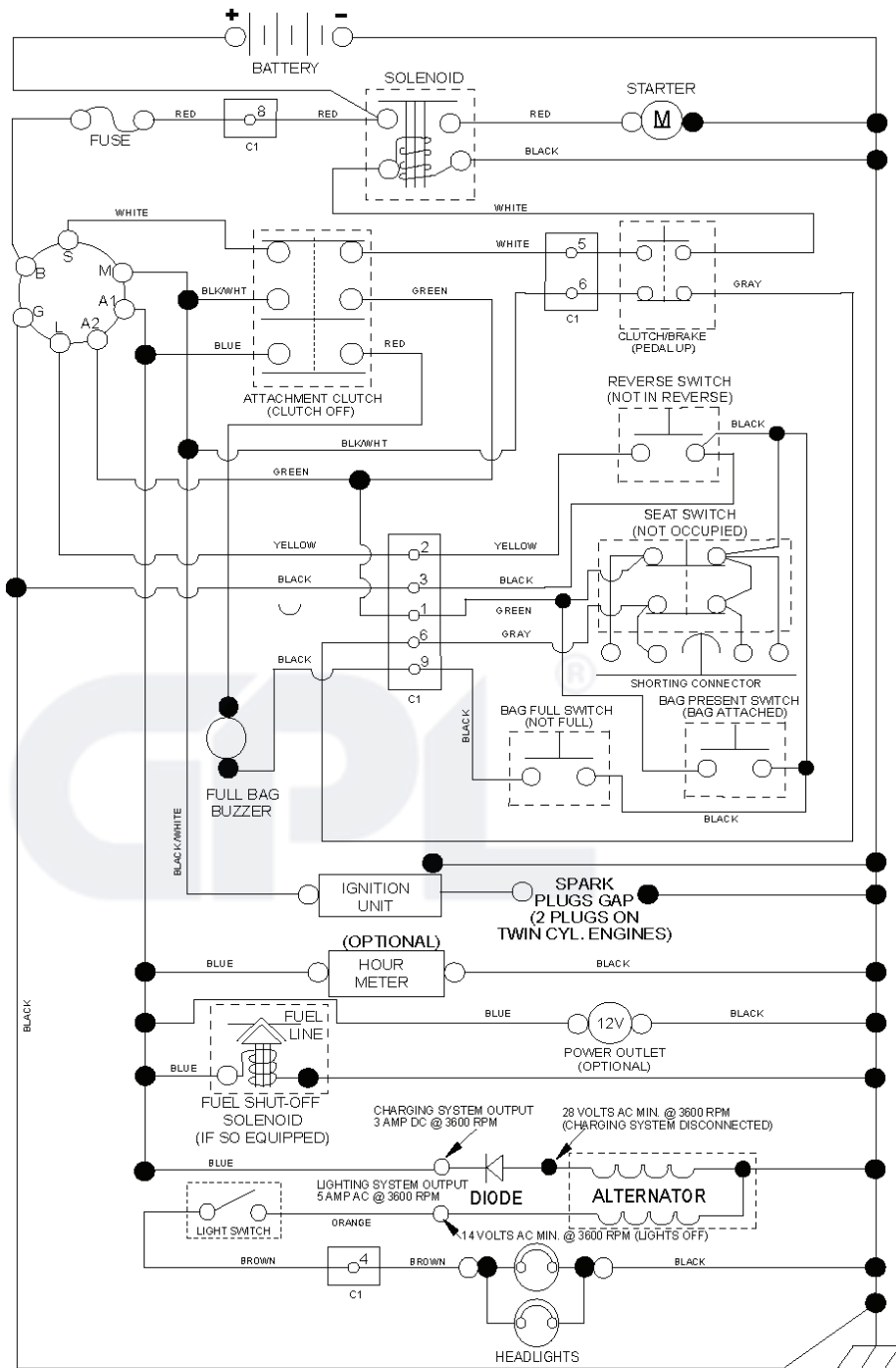




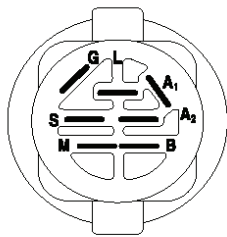
| REF. | PART NO.  | DESCRIPTION                  | REMARK | QTY. | KIT |
|------|-----------|------------------------------|--------|------|-----|
| 1    | 532436970 | DECK                         |        | 1    |     |
| 3    | 873900500 | NUT                          |        | 1    |     |
| 5    | 817000510 | BOLT                         |        | 1    |     |
| 7    | 532416358 | SCREW                        |        | 1    |     |
| 10   | 817000616 | SCREW                        |        | 1    |     |
| 11   | 532137729 | SCREW                        |        | 1    |     |
| 13   | 872110612 | BOLT                         |        | 1    |     |
| 14   | 532156085 | BELT GUIDE                   |        | 1    |     |
| 16   | 873900600 | NUT                          |        | 1    |     |
| 17   | 532400234 | NUT                          |        | 1    |     |
| 18   | 532187690 | WASHER                       |        | 1    |     |
| 19   | 532110485 | BEARING                      |        | 1    |     |
| 20   | 532173984 | SCREW                        |        | 1    |     |
| 23   | 817490628 | SCREW                        |        | 1    |     |
| 27   | 532439726 | BELT                         |        | 1    |     |
| 32   | 532401872 | SPRING                       |        | 1    |     |
| 33   | 532187281 | BEARING HOUSING              |        | 1    |     |
| 34   | 532192872 | SHAFT ASSY                   |        | 1    |     |
| 35   | 532427984 | RIDE ON BLADE                |        | 1    |     |
| 36   | 532193003 | SCREW                        |        | 1    |     |
| 37   | 819131316 | WASHER                       |        | 1    |     |
| 40   | 532197258 | BELT GUIDE                   |        | 1    |     |
| 42   | 817000512 | SCREW                        |        | 1    |     |
| 43   | 532197473 | PULLEY                       |        | 1    |     |
| 45   | 532137152 | BEARING HOUSING              |        | 1    |     |
| 67   | 532403012 | HANDLE                       |        | 1    |     |
| 70   | 532401246 | CLUTCH                       |        | 1    |     |
| 71   | 817670608 | SCREW                        |        | 1    |     |
| 72   | 532446810 | CHUTE                        |        | 1    |     |
| 75   | 532131494 | PULLEY                       |        | 1    |     |
| 76   | 532439640 | PORT                         |        | 1    |     |
| 80   | 532423062 | NUT                          |        | 1    |     |
| 84   | 532432520 | KEEPER                       |        | 1    |     |
| 85   | 532427985 | BLADE                        |        | 1    |     |
| 86   | 532181713 | BOLT                         |        | 1    |     |
| 87   | 810030600 | WASHER                       |        | 1    |     |
| 88   | 532140296 | WASHER                       |        | 1    |     |
| 89   | 532438124 | ARM                          |        | 1    |     |
| 90   | 532199092 | SPACER                       |        | 1    |     |
| 91   | 819132012 | WASHER                       |        | 1    |     |
| 92   | 532436993 | ROD                          |        | 1    |     |
| 93   | 532438125 | ARM                          |        | 1    |     |
| 94   | 532197250 | BRACKET                      |        | 1    |     |
| 95   | 817000612 | SCREW                        |        | 1    |     |
| 96   | 532400271 | SPACER                       |        | 1    |     |
| 97   | 532182061 | PROTECTOR                    |        | 1    |     |
| 98   | 532195161 | STUD                         |        | 1    |     |
| 99   | 532195186 | ARM                          |        | 1    |     |
| 100  | 532196539 | BOLT                         |        | 1    |     |
| 101  | 873680900 | NUT                          |        | 1    |     |
| 102  | 532402511 | SPACER                       |        | 1    |     |
| 103  | 532436992 | GUARD                        |        | 1    |     |
| 104  | 532438968 | MANDREL                      |        | 1    |     |
| 105  | 532438744 | MANDREL                      |        | 1    |     |
| 106  | 532193216 | RESSORT RETOUR FREIN DE LAME |        | 1    |     |
| 110  | 532415356 | GEAR                         |        | 1    |     |
| 111  | 532436979 | GASKET                       |        | 1    |     |
| 112  | 532443852 | SHAFT                        |        | 1    |     |
| 113  | 532438533 | PLUG                         |        | 1    |     |
| 114  | 532438534 | VALVE                        |        | 1    |     |
| 115  | 818031016 | SCREW                        |        | 1    |     |
| 116  | 872110414 | BOLT                         |        | 1    |     |
| 117  | 873900400 | NUT                          |        | 1    |     |
| 118  | 532436989 | ARM                          |        | 1    |     |
| 119  | 532438166 | GEARCASE                     |        | 1    |     |
| 120  | 532436991 | BRACKET                      |        | 1    |     |
| 121  | 532436985 | WASHER                       |        | 1    |     |
| 124  | 532436986 | SHAFT                        |        | 1    |     |
| 125  | 532440420 | BRACKET                      |        | 1    |     |
| 127  | 532193406 | BOLT                         |        | 1    |     |
| 128  | 532174873 | WHEEL                        |        | 1    |     |
| 129  | 532404851 | ROD                          |        | 1    |     |
| 130  | 819131312 | WASHER                       |        | 1    |     |
| 131  | 532194208 | PIN                          |        | 1    |     |
| 132  | 532178899 | KNOB                         |        | 1    |     |
| 136  | 532439639 | PLUG                         |        | 1    |     |
| 137  | 812000029 | RETAINER RING                |        | 1    |     |
| 138  | 532440743 | HOSE                         |        | 1    |     |

| REF. | PART NO.  | DESCRIPTION  | REMARK  | QTY. | KIT |
|------|-----------|--------------|---|------|-----|
| 139  | 532440742 | CLAMP        |   | 1    |     |
| 140  | 532448632 | GUARD        |   | 1    |     |
| 141  | 532448529 | GUARD        |   | 1    |     |
| 152  | 532440488 | CABLE        |   | 1    |     |
| 159  | 872140614 | BOLT         |   | 1    |     |
| 160  | 532168937 | WASHER       |   | 1    |     |
| --   | 532192870 | SPINDLE      | MANDREL ASSEMBLY<br>(Includes assembly (key#<br>33), shaft assembly (key#<br>34) and bearing (key# 19)<br>only - pulley/nut/washer and<br>blade bolt/washers not<br>included. | 1    |     |
| --   | 532448641 | CUTTING DECK |   | 1    |     |



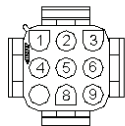


**NOTE**  
 YOUR TRACTOR IS EQUIPPED WITH A SPECIAL ALTERNATOR SYSTEM. THE LIGHTS ARE NOT CONNECTED TO THE BATTERY, BUT HAVE THEIR OWN ELECTRICAL SOURCE. BECAUSE OF THIS, THE BRIGHTNESS OF THE LIGHTS WILL CHANGE WITH ENGINE SPEED. AT IDLE THE LIGHTS WILL DIM. AS THE ENGINE SPEED IS INCREASED, THE LIGHTS WILL BECOME THEIR BRIGHTEST.

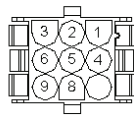


IGNITION SWITCH

| POSITION     | CIRCUIT "MAKE" |
|--------------|----------------|
| OFF          | M+G+A1         |
| RUN/OVERRIDE | B+A1           |
| RUN          | B+A1 L+A2      |
| START        | B+S+A1         |



CHASSIS HARNESS CONNECTOR (C1) (MATING SIDE)



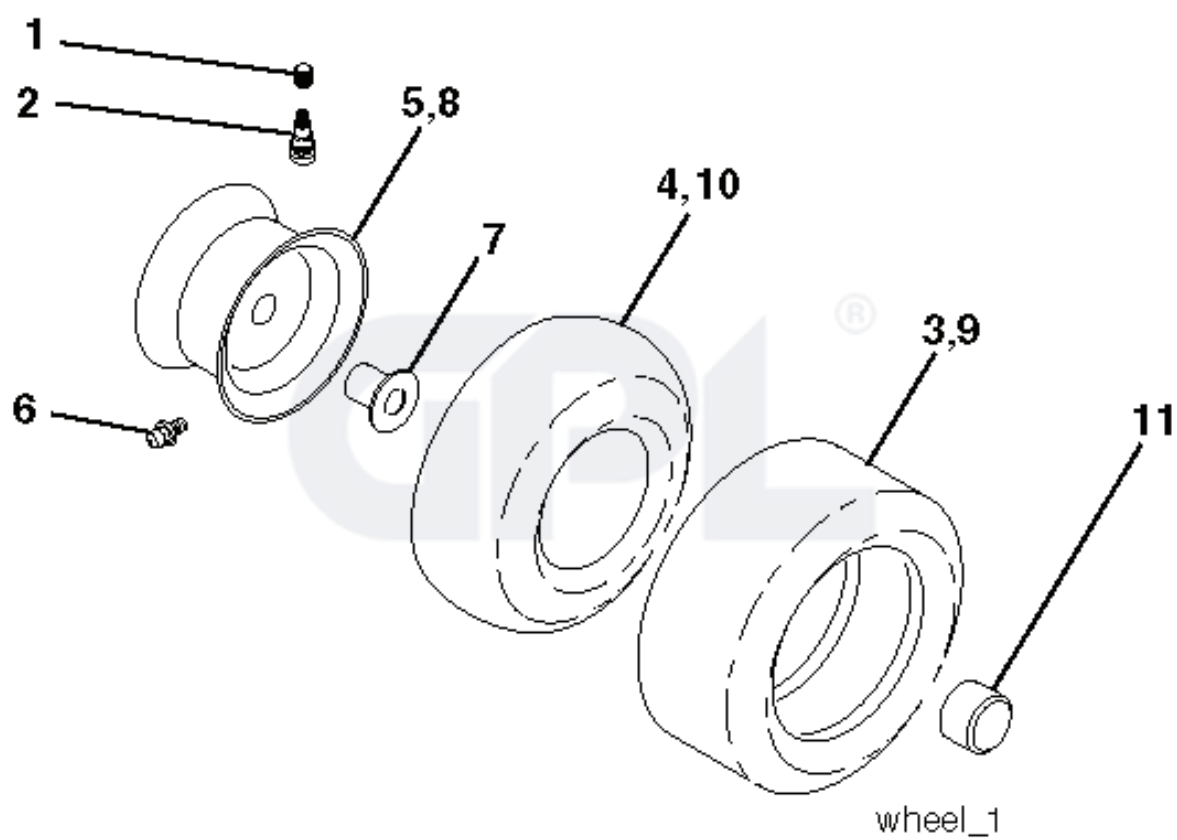
DASH HARNESS CONNECTOR (C1) (MATING SIDE)

**WIRING INSULATED CLIPS**  
 NOTE: IF WIRING INSULATED CLIPS WERE REMOVED FOR SERVICING OF UNIT, THEY SHOULD BE RE-INSTALLED TO PROPERLY SECURE YOUR WIRING.

NON-REMOVABLE CONNECTIONS

REMOVABLE CONNECTIONS





| REF. | PART NO.  | DESCRIPTION  | REMARK              | QTY. | KIT |
|------|-----------|--------------|---------------------|------|-----|
| 1    | 532059192 | CAP VALVE    |                     | 1    |     |
| 2    | 532065139 | NIPPLE       |                     | 1    |     |
| 3    | 532106222 | TIRE         | Front 15" x 6.0"-6" | 1    |     |
| 4    | 532059904 | HOSE         | (Service Item Only) | 1    |     |
| 5    | 532125121 | RIM          | Front 6"            | 1    |     |
| 6    | 532124957 | FITTING      | (Front Wheel Only)  | 1    |     |
| 7    | 532124959 | BEARING      | (Front Wheel Only)  | 1    |     |
| 8    | 532125122 | RIM          | Rear 8"             | 1    |     |
| 9    | 532420531 | TIRE         | Rear 18" x 9.5"-8"  | 1    |     |
| 10   | 532124926 | HOSE         | (Service Item Only) | 1    |     |
| 11   | 532193268 | HUB CAP      |                     | 1    |     |
| --   | 532144334 | SEALING FOAM |                     | 1    |     |
|      | PART NO.  |              | REMARK              |      | KIT |

