

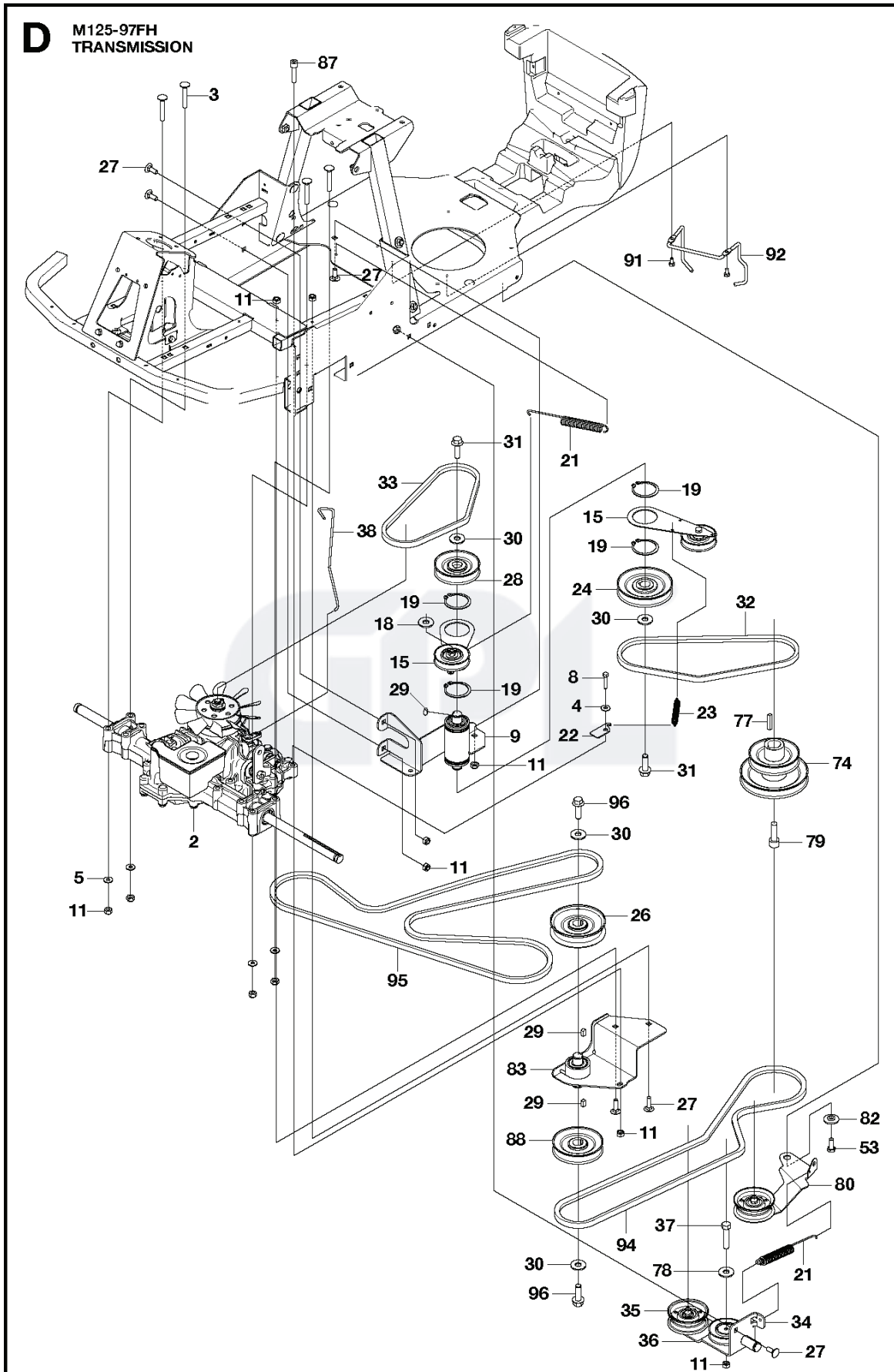
M125-97FH, 966725601, 2012

GPL<sup>®</sup>

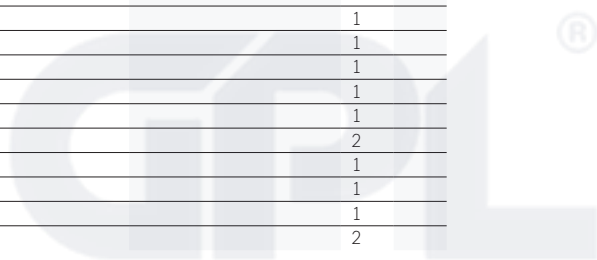
---

**SPARE PARTS LIST**

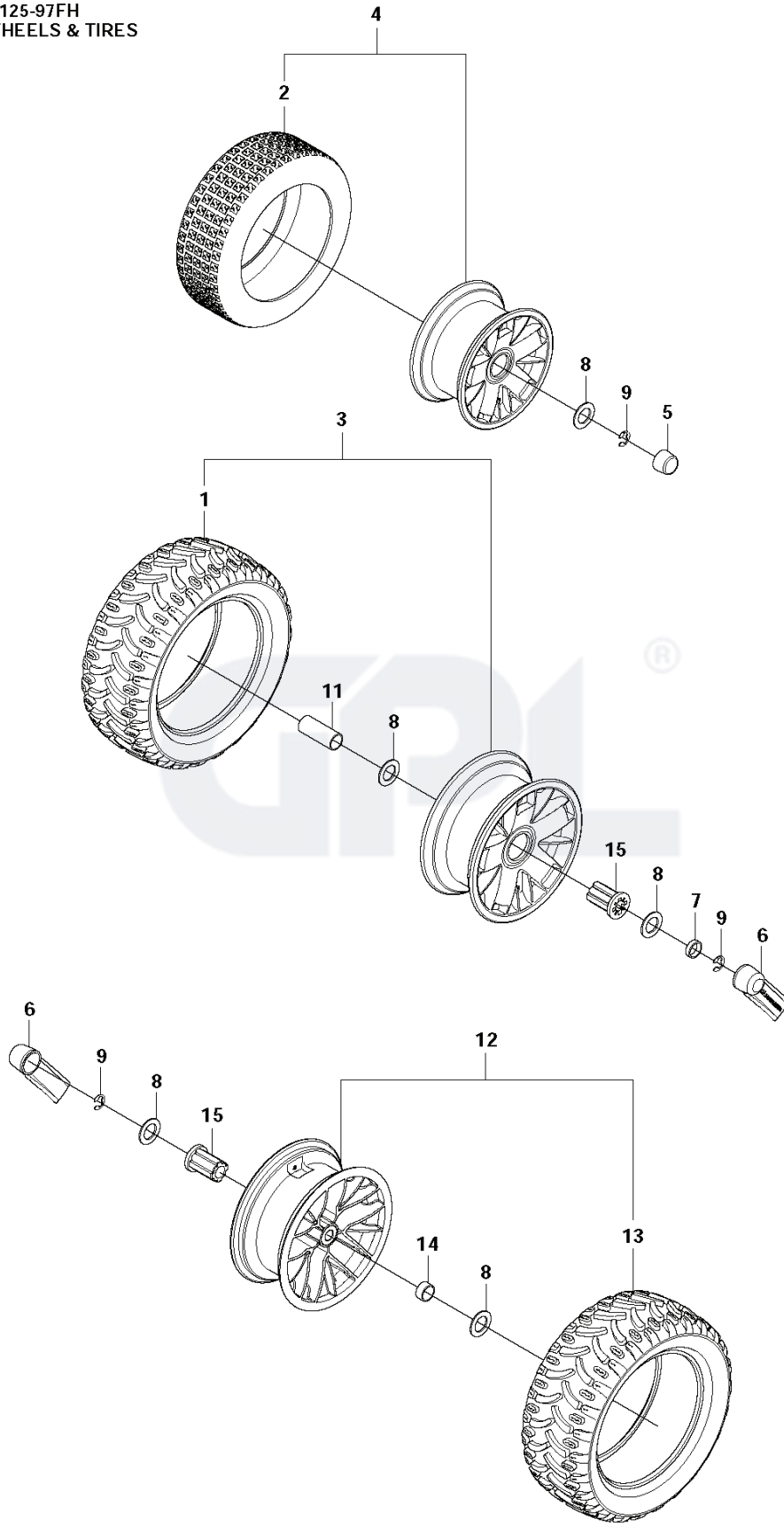
**D** M125-97FH  
TRANSMISSION



| REF. | PART NO.  | DESCRIPTION         | REMARK | QTY. | KIT |
|------|-----------|---------------------|--------|------|-----|
| 2    | 576363401 | TRANSMISSION        |        | 1    |     |
| 3    | 579603801 | SCREW RSQM          |        | 4    |     |
| 4    | 535464101 | WASHER              |        | 2    |     |
| 5    | 734116401 | WASHER              |        | 6    |     |
| 8    | 725245951 | SCREW EHHM          |        | 3    |     |
| 9    | 576458301 | HOUSING ASSY        |        | 1    |     |
| 11   | 732211801 | LOCK NUT            |        | 17   |     |
| 15   | 576363701 | BELT TENSIONER      |        | 2    |     |
| 18   | 734116441 | WASHER              |        | 2    |     |
| 19   | 735314200 | CIRCLIP             |        | 4    |     |
| 21   | 575567201 | SPRING              |        | 2    |     |
| 22   | 578392701 | SHEET               |        | 1    |     |
| 23   | 574506201 | SPRING              |        | 1    |     |
| 24   | 577169503 | PULLEY              |        | 1    |     |
| 26   | 578347501 | PULLEY              |        | 1    |     |
| 27   | 727644951 | SCREW RSQM          |        | 6    |     |
| 28   | 577169501 | PULLEY              |        | 1    |     |
| 29   | 506533501 | PARALLEL KEY        |        | 4    |     |
| 30   | 734117441 | WASHER              |        | 4    |     |
| 31   | 506675402 | SCREW EHHFM         |        | 2    |     |
| 32   | 576363901 | BELT                |        | 1    |     |
| 33   | 576364001 | BELT                |        | 1    |     |
| 34   | 576466701 | BRACKET             |        | 1    |     |
| 35   | 539919078 | PULLEY              |        | 1    |     |
| 36   | 506946901 | PULLEY              |        | 1    |     |
| 37   | 725245571 | SCREW EHHM          |        | 1    |     |
| 38   | 578400701 | ARM                 |        | 1    |     |
| 53   | 725245171 | SCREW EHHM          |        | 2    |     |
| 74   | 576361301 | PULLEY              |        | 1    |     |
| 77   | 506555902 | WEDGE               |        | 1    |     |
| 78   | 506597501 | WASHER              |        | 1    |     |
| 79   | 506556002 | SCREW UNC           |        | 1    |     |
| 80   | 576361101 | BELT TENSIONER ASSY |        | 1    |     |
| 82   | 574874102 | WASHER              |        | 1    |     |
| 83   | 576451901 | IDLER AXLE ASSY     |        | 1    |     |
| 87   | 725545501 | SCREW IHSCM         |        | 1    |     |
| 88   | 577169502 | PULLEY              |        | 1    |     |
| 91   | 725236461 | SCREW EHHFT         |        | 2    |     |
| 92   | 578208201 | BELT GUIDE          |        | 1    |     |
| 94   | 589563901 | BELT                |        | 1    |     |
| 95   | 589533001 | BELT                |        | 1    |     |
| 96   | 506675401 | SCREW EHHFM         |        | 2    |     |



**J** M125-97FH  
WHEELS & TIRES

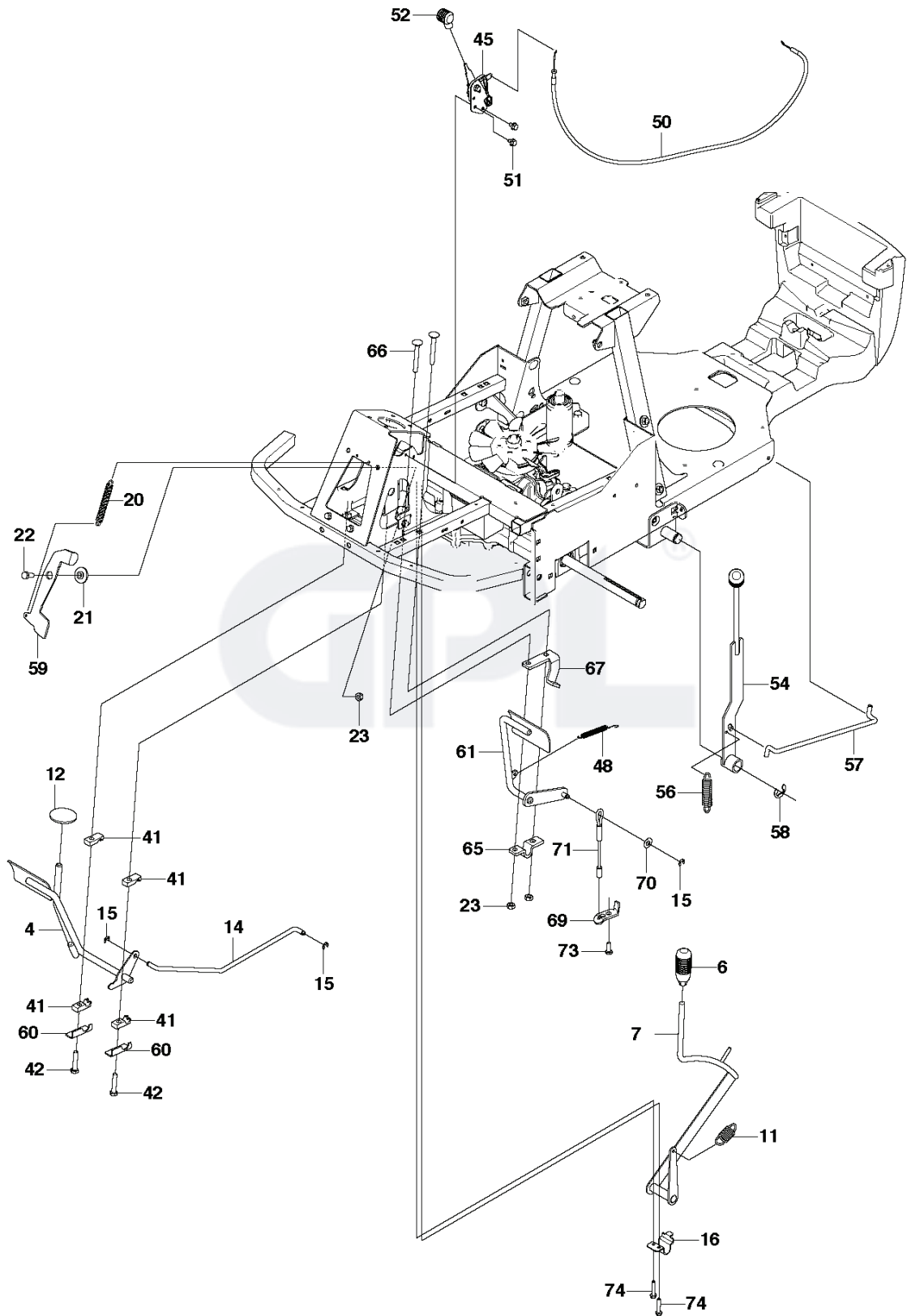


---

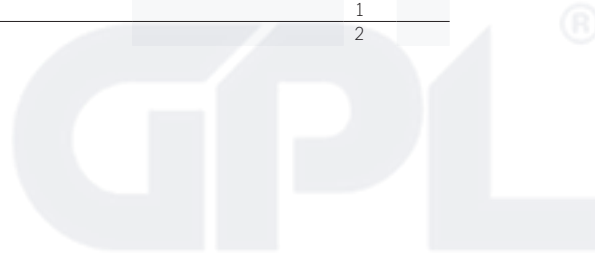
| REF. | PART NO.  | DESCRIPTION | REMARK | QTY. | KIT |
|------|-----------|-------------|--------|------|-----|
| 1    | 579169601 | TIRE        |        | 1    |     |
| 2    | 579169701 | TIRE        |        | 2    |     |
| 3    | 579169101 | WHEEL ASSY  |        | 1    |     |
| 4    | 579169201 | WHEEL ASSY  |        | 2    |     |
| 5    | 578762201 | HUB CAP     |        | 2    |     |
| 6    | 577824801 | HUB CAP     |        | 2    |     |
| 7    | 578033902 | SLEEVE      |        | 2    |     |
| 8    | 506504805 | WASHER      |        | 4    |     |
| 9    | 506899001 | E-CLIP      |        | 4    |     |
| 11   | 578033901 | SLEEVE      |        | 2    |     |
| 12   | 579169102 | WHEEL ASSY  |        | 1    |     |
| 13   | 579169601 | TIRE        |        | 1    |     |
| 14   | 578033903 | SLEEVE      |        | 2    |     |
| 15   | 578761101 | BUSHING     |        | 1    |     |



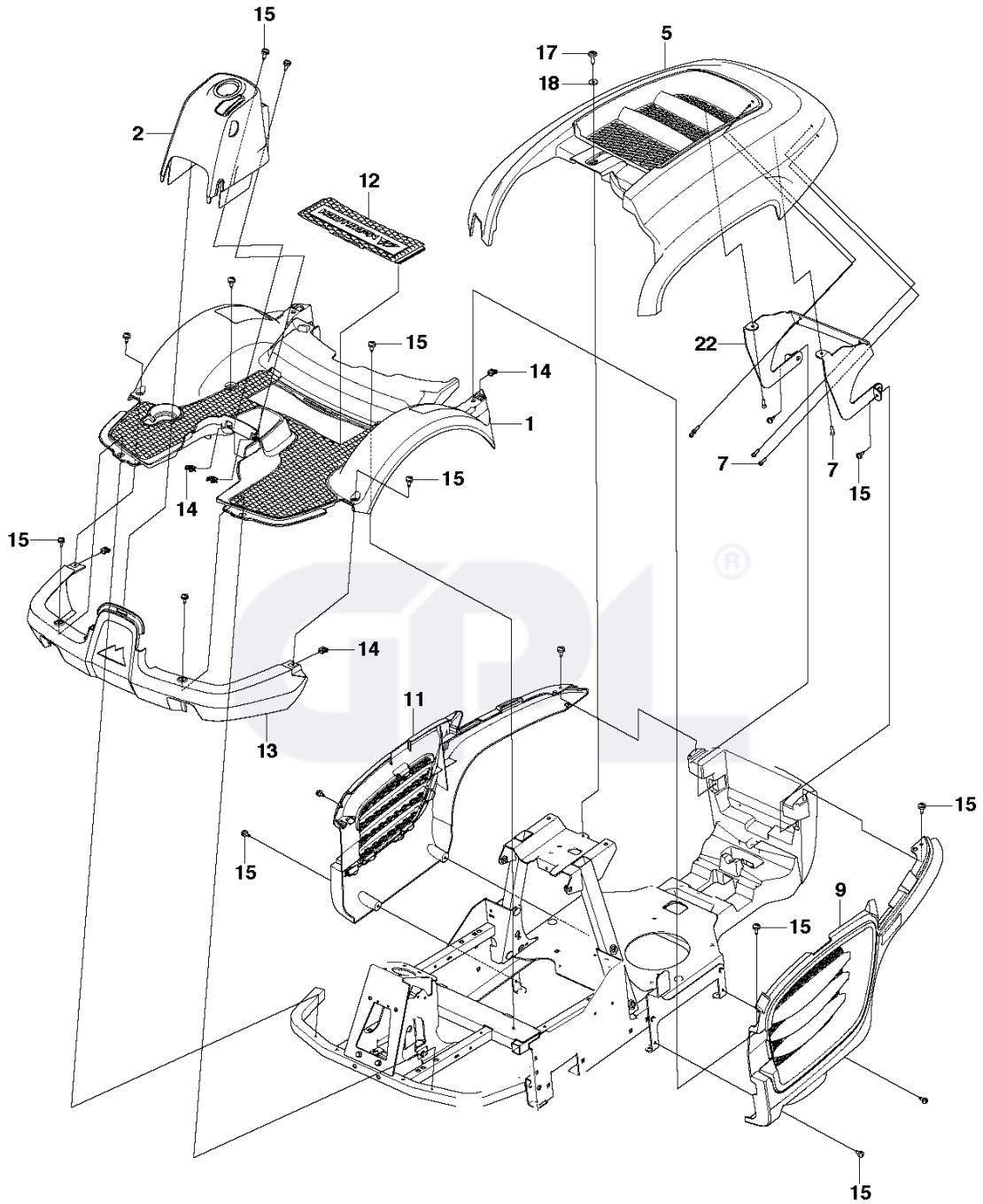
**G** M125-97FH  
CONTROLS



| REF. | PART NO.  | DESCRIPTION      | REMARK | QTY. | KIT |
|------|-----------|------------------|--------|------|-----|
| 4    | 576846101 | PEDAL            |        | 1    |     |
| 6    | 506542002 | HANDLE           |        | 2    |     |
| 7    | 576467101 | BRAKE LEVER      |        | 1    |     |
| 11   | 579315401 | SPRING           |        | 1    |     |
| 12   | 579300101 | PEDAL            |        | 1    |     |
| 14   | 577544801 | ROD              |        | 1    |     |
| 15   | 735311220 | E-CLIP           |        | 2    |     |
| 16   | 578762901 | SHEET            |        | 1    |     |
| 20   | 574506201 | SPRING           |        | 1    |     |
| 21   | 574874102 | WASHER           |        | 1    |     |
| 22   | 506570104 | SCREW EHHFM      |        | 1    |     |
| 23   | 732211801 | LOCK NUT         |        | 5    |     |
| 41   | 506954101 | BEARING SUPPORT  |        | 4    |     |
| 42   | 725245751 | SCREW            |        | 2    |     |
| 45   | 577847201 | THROTTLE CONTROL |        | 1    |     |
| 48   | 506834301 | SPRING           |        | 1    |     |
| 50   | 544301708 | WIRE             |        | 1    |     |
| 51   | 725236461 | SCREW EHHFT      |        | 2    |     |
| 52   | 506889101 | KNOB             |        | 1    |     |
| 54   | 576456701 | LEVER            |        | 1    |     |
| 56   | 506535603 | DRAW SPRING      |        | 1    |     |
| 57   | 576456601 | ROD              |        | 1    |     |
| 58   | 506899001 | E-CLIP           |        | 1    |     |
| 59   | 576923701 | ARM              |        | 1    |     |
| 60   | 578366601 | SHEET            |        | 2    |     |
| 61   | 578313601 | PEDAL            |        | 1    |     |
| 65   | 579154301 | SHEET            |        | 1    |     |
| 66   | 535423802 | SCREW RSQM       |        | 2    |     |
| 67   | 579154401 | SHEET            |        | 1    |     |
| 69   | 579163501 | SHEET            |        | 1    |     |
| 70   | 734117201 | WASHER           |        | 1    |     |
| 71   | 579165301 | WIRE             |        | 1    |     |
| 73   | 725245171 | SCREW EHHM       |        | 1    |     |
| 74   | 725236461 | SCREW EHHFT      |        | 2    |     |



**B** M125-97FH  
COVER

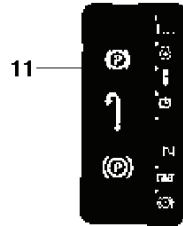
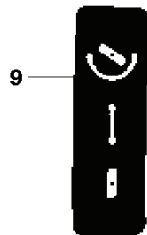
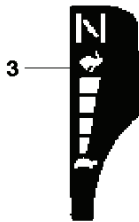
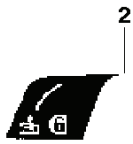
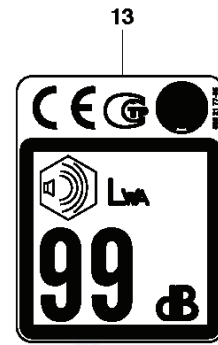
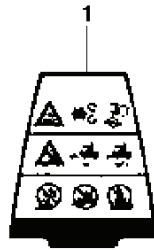
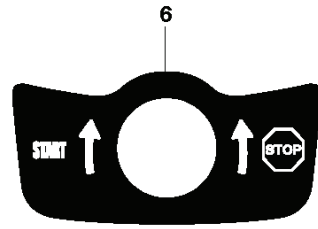
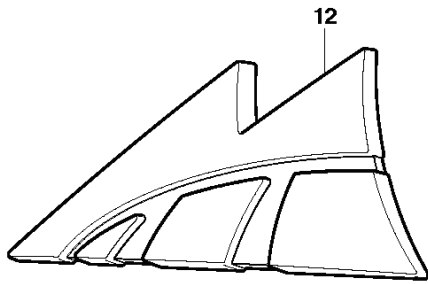


---

| REF. | PART NO.  | DESCRIPTION      | REMARK | QTY. | KIT |
|------|-----------|------------------|--------|------|-----|
| 1    | 577545802 | FOOT PLATE       |        | 1    |     |
| 2    | 577546202 | COVER            |        | 1    |     |
| 5    | 578298801 | ENGINE HOOD ASSY |        | 1    |     |
| 7    | 503217416 | SCREW IHST       |        | 6    |     |
| 9    | 578299201 | COVER            |        | 1    |     |
| 11   | 578299101 | COVER            |        | 1    |     |
| 12   | 578281601 | DOOR             |        | 1    |     |
| 13   | 577546101 | COVER            |        | 1    |     |
| 14   | 535429101 | SPRING NUT       |        | 6    |     |
| 15   | 544400501 | SCREW            |        | 18   |     |
| 17   | 506982602 | SCREW            |        | 1    |     |
| 18   | 506559701 | WASHER           |        | 1    |     |
| 22   | 578298101 | HINGE            |        | 1    |     |



**K** M125-97FH  
DECALS

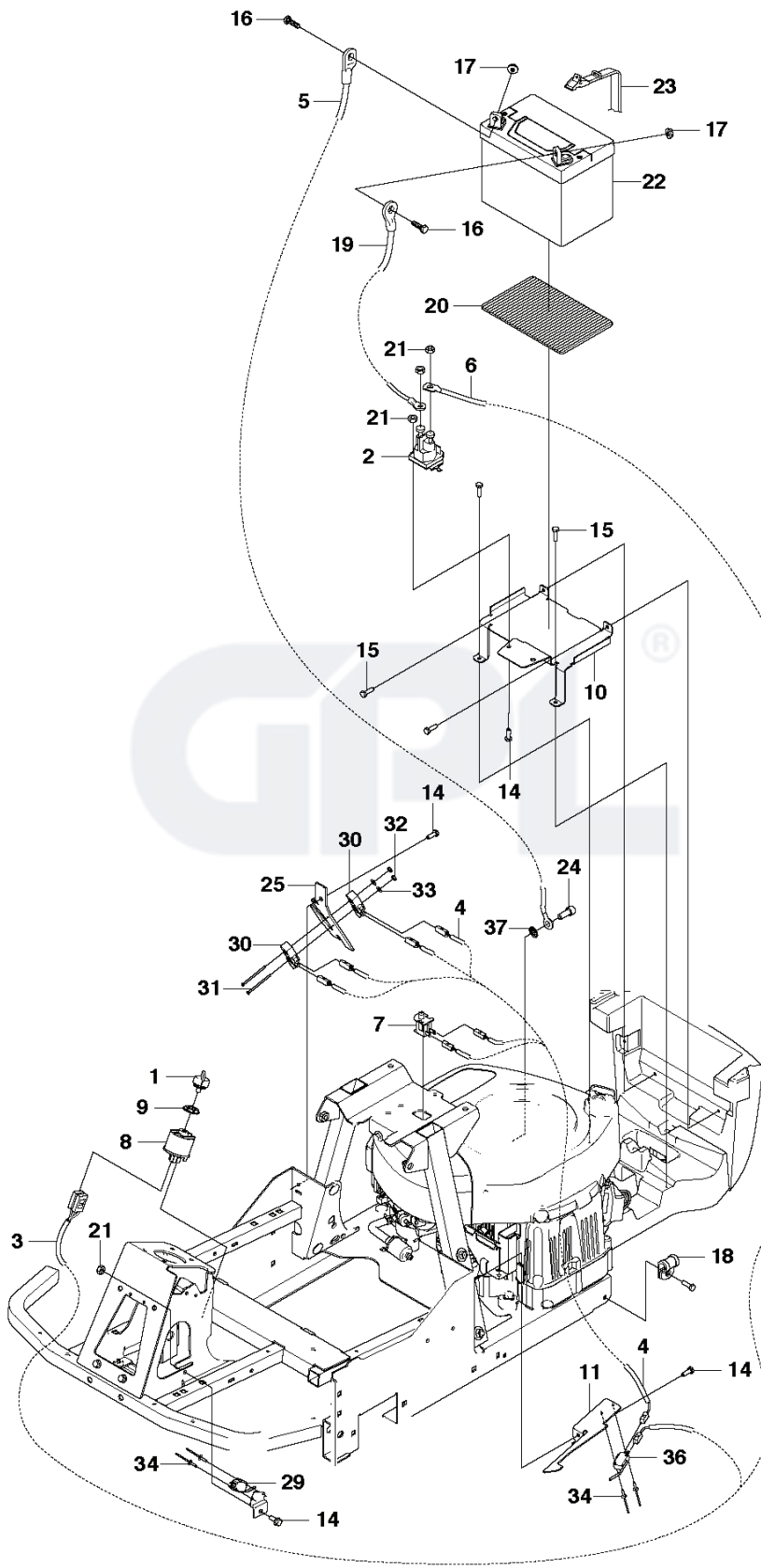


---

| REF. | PART NO.  | DESCRIPTION | REMARK | QTY. | KIT |
|------|-----------|-------------|--------|------|-----|
| 1    | 578977801 | DECAL       |        | 1    |     |
| 2    | 578977901 | DECAL       |        | 1    |     |
| 3    | 578977501 | DECAL       |        | 1    |     |
| 5    | 578978301 | DECAL       |        | 1    |     |
| 6    | 578977701 | DECAL       |        | 1    |     |
| 8    | 578978101 | DECAL       |        | 1    |     |
| 9    | 578977601 | DECAL       |        | 1    |     |
| 11   | 578978201 | DECAL       |        | 1    |     |
| 12   | 578897101 | DECAL       |        | 1    |     |
| 13   | 505217705 | LABEL       |        | 1    |     |



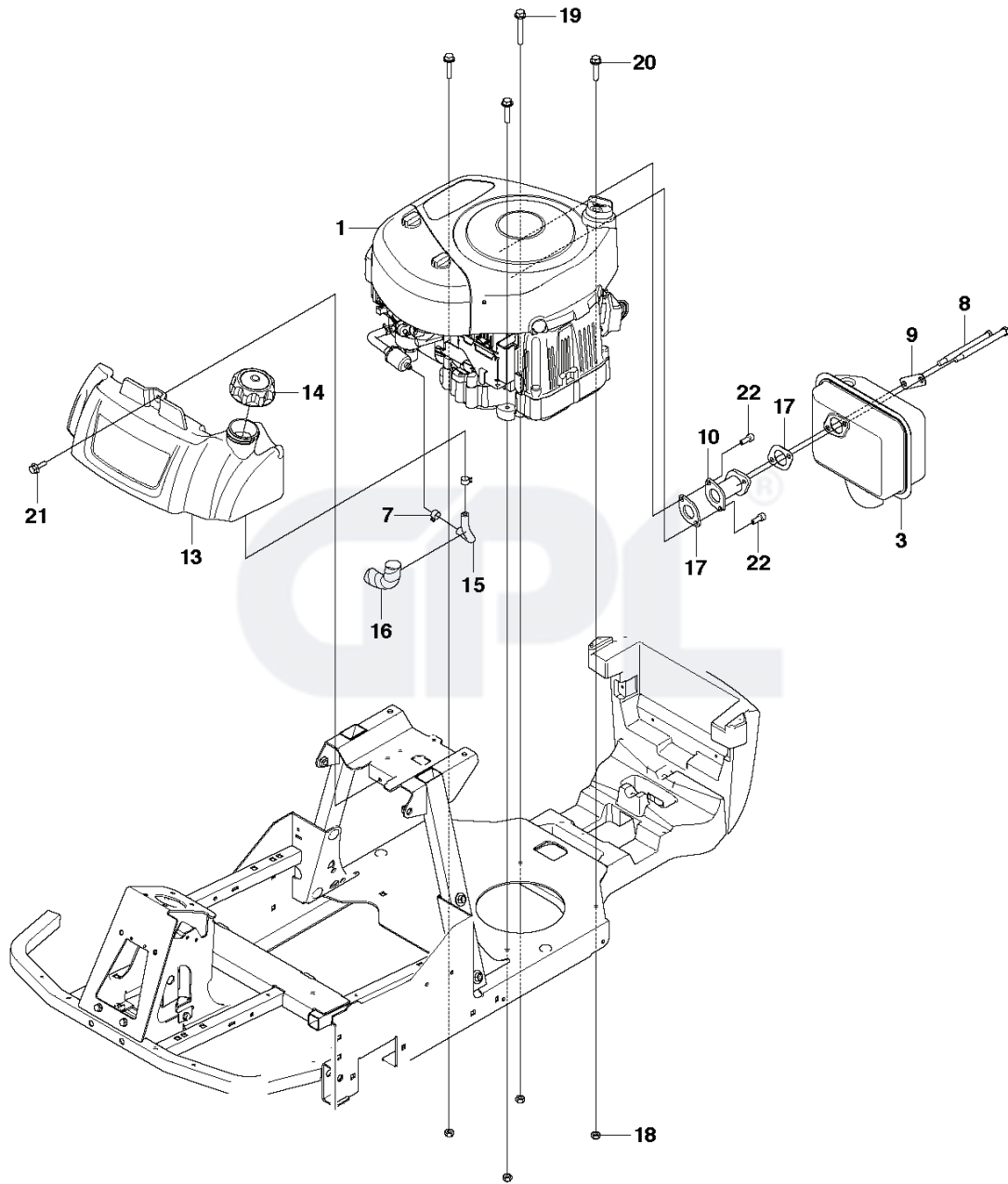
**H** M125-97FH  
ELECTRICAL



| REF. | PART NO.  | DESCRIPTION     | REMARK | QTY. | KIT |
|------|-----------|-----------------|--------|------|-----|
| 1    | 544442401 | IGNITION KEY    |        | 1    |     |
| 2    | 544439801 | RELAY           |        | 1    |     |
| 3    | 577511901 | WIRING ASSY     |        | 1    |     |
| 4    | 577512001 | WIRING          |        | 1    |     |
| 5    | 576183901 | CABLE           |        | 1    |     |
| 6    | 576183803 | CABLE           |        | 1    |     |
| 7    | 506909601 | SWITCH          |        | 1    |     |
| 8    | 544442201 | IGNITION SWITCH |        | 1    |     |
| 9    | 544442301 | NUT             |        | 1    |     |
| 10   | 577390101 | BRACKET         |        | 1    |     |
| 11   | 578285501 | PLATE           |        | 1    |     |
| 14   | 725236461 | SCREW EHHFT     |        | 3    |     |
| 15   | 544400501 | SCREW           |        | 4    |     |
| 16   | 522622101 | SCREW EHHM      |        | 2    |     |
| 17   | 522624301 | NUT             |        | 2    |     |
| 18   | 578996801 | CLAMP           |        | 1    |     |
| 19   | 576184001 | CABLE           |        | 1    |     |
| 20   | 535441101 | BATTERY MAT     |        | 1    |     |
| 21   | 506899801 | NUT             |        | 3    |     |
| 22   | 574397201 | BATTERY         |        | 1    |     |
| 23   | 506836802 | BELT            |        | 1    |     |
| 24   | 506556302 | SCREW UNC       |        | 1    |     |
| 25   | 578775901 | SWITCH          |        | 1    |     |
| 29   | 579267201 | SWITCH          |        | 1    |     |
| 30   | 578033301 | SWITCH          |        | 2    |     |
| 31   | 725223451 | SCREW EHHM      |        | 2    |     |
| 32   | 731231001 | HEXAGON NUT     |        | 2    |     |
| 33   | 563230029 | TBD             |        | 2    |     |
| 34   | 544440701 | RIVET           |        | 4    |     |
| 36   | 574316101 | SWITCH          |        | 1    |     |
| 37   | 735216400 | LOCKWASHER      |        | 1    |     |



**E** M125-97FH  
ENGINE

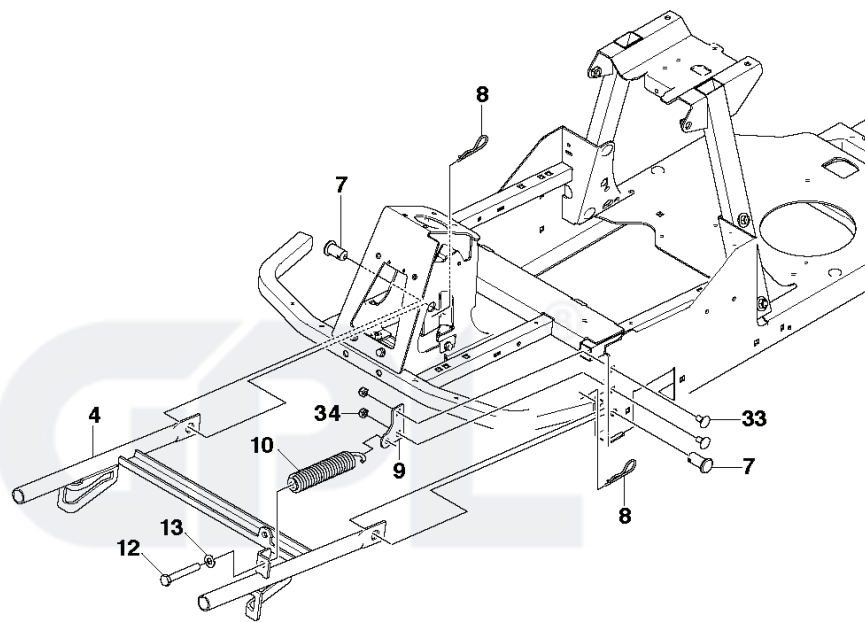


---

| REF. | PART NO.  | DESCRIPTION  | REMARK | QTY. | KIT |
|------|-----------|--------------|--------|------|-----|
| 1    | 578192401 | ENGINE       |        | 1    |     |
| 3    | 577463901 | MUFFLER ASSY |        | 1    |     |
| 7    | 535469701 | HOSE BRACE   |        | 2    |     |
| 8    | 578259101 | COLLAR SCREW |        | 2    |     |
| 9    | 578259301 | WASHER       |        | 1    |     |
| 10   | 578255701 | MANIFOLD     |        | 1    |     |
| 13   | 577915801 | FUEL TANK    |        | 1    |     |
| 14   | 532430220 | FUEL CAP     |        | 1    |     |
| 15   | 504800012 | FUEL HOSE    |        | 1    |     |
| 16   | 544026608 | HOSE GUARD   |        | 1    |     |
| 17   | 579377101 | GASKET       |        | 2    |     |
| 18   | 732211801 | LOCK NUT     |        | 4    |     |
| 19   | 506570107 | SCREW EHHFM  |        | 1    |     |
| 20   | 506570106 | SCREW EHHFM  |        | 3    |     |
| 21   | 579328101 | SCREW        |        | 1    |     |
| 22   | 506556301 | SCREW UNC    |        | 2    |     |

**GPL**®

**L** M125-97FH  
EQUIPMENT FRAME



---

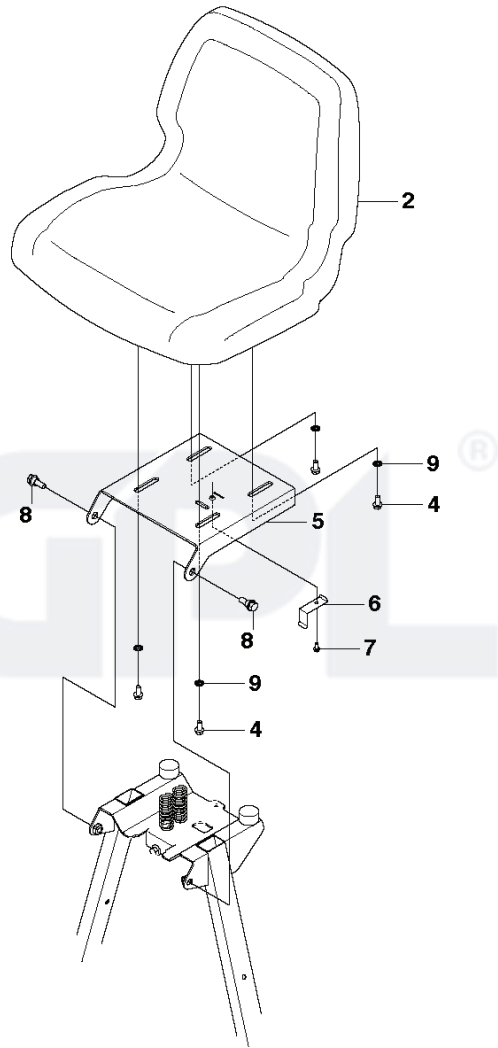
| REF. | PART NO.  | DESCRIPTION   | REMARK | QTY. | KIT |
|------|-----------|---------------|--------|------|-----|
| 4    | 576488001 | ATTACHMENT    |        | 1    |     |
| 7    | 721861701 | CLEVIS PIN    |        | 2    |     |
| 8    | 721680251 | SPRING COTTER |        | 2    |     |
| 9    | 578385301 | BRACKET       |        | 1    |     |
| 10   | 505418701 | SPRING        |        | 1    |     |
| 12   | 725250971 | SCREW EHHM    |        | 2    |     |
| 13   | 734117201 | WASHER        |        | 1    |     |
| 33   | 727644951 | SCREW RSQM    |        | 2    |     |
| 34   | 732211801 | LOCK NUT      |        | 3    |     |

GPL®



| REF. | PART NO.  | DESCRIPTION    | REMARK | QTY. | KIT |
|------|-----------|----------------|--------|------|-----|
| 1    | 579467401 | COVER          |        | 1    |     |
| 2    | 578769701 | CUTTING DECK   |        | 1    |     |
| 3    | 544400501 | SCREW          |        | 5    |     |
| 4    | 575802101 | LEVER ASSY     |        | 1    |     |
| 5    | 735583501 | WASHER         |        | 4    |     |
| 6    | 579276701 | COTTER PIN     |        | 1    |     |
| 10   | 579599201 | BRACKET        |        | 1    |     |
| 11   | 532192572 | SHIELD         |        | 1    |     |
| 12   | 532131491 | SHAFT          |        | 1    |     |
| 13   | 532197026 | TORSION SPRING |        | 1    |     |
| 14   | 532110452 | NUT            |        | 2    |     |
| 15   | 532105304 | HUB CAP        |        | 2    |     |
| 16   | 579603601 | ACCESSORY KIT  |        | 1    |     |
| 17   | 578771501 | ROD            |        | 1    |     |
| 18   | 573971802 | COVER          |        | 1    |     |
| 19   | 574328802 | HANDLE         |        | 1    |     |
| 20   | 579599001 | BAFFLE         |        | 1    |     |
| 21   | 532193957 | RIDE ON BLADE  |        | 2    |     |
| 22   | 578771201 | ARM            |        | 1    |     |
| 23   | 578771301 | SPACER         |        | 2    |     |
| 24   | 532192870 | SPINDLE        |        | 2    |     |
| 36   | 532199791 | PULLEY         |        | 2    |     |
| 37   | 532177968 | PULLEY         |        | 1    |     |
| 38   | 532400234 | NUT            |        | 2    |     |
| 39   | 532193003 | SCREW          |        | 2    |     |
| 40   | 872110505 | BOLT           |        | 6    |     |
| 41   | 522735901 | WHEEL          |        | 2    |     |
| 44   | 522450902 | CROSS BAR      |        | 2    |     |
| 45   | 873800500 | LOCK NUT       |        | 6    |     |
| 46   | 532192573 | COVER          |        | 1    |     |
| 47   | 522523201 | BRACKET        |        | 1    |     |
| 48   | 578771401 | SHEET          |        | 1    |     |
| 49   | 532160793 | LATCH          |        | 2    |     |
| 51   | 539919078 | PULLEY         |        | 1    |     |
| 52   | 584298801 | SPRING         |        | 1    |     |
| 53   | 532415598 | HOSE COUPLING  |        | 1    |     |
| 54   | 725245951 | SCREW EHHM     |        | 8    |     |
| 55   | 725236861 | SCREW EHHFT    |        | 3    |     |
| 56   | 506597401 | SCREW EHHFM    |        | 9    |     |
| 57   | 732211801 | LOCK NUT       |        | 14   |     |
| 58   | 725245961 | SCREW EHHFT    |        | 8    |     |
| 59   | 725245371 | SCREW EHHM     |        | 1    |     |
| 60   | 532187690 | WASHER         |        | 2    |     |
| 62   | 574264501 | WASHER         |        | 4    |     |
| 63   | 721618701 | SPLIT PIN      |        | 4    |     |
| 64   | 506918702 | WASHER         |        | 1    |     |
| 65   | 579284001 | SPACER         |        | 2    |     |
| 67   | 725245171 | SCREW EHHM     |        | 2    |     |
| 68   | 735311520 | E-CLIP         |        | 2    |     |
| 72   | 578769801 | DECK FRAME     |        | 1    |     |
| 73   | 579181801 | DECAL          |        | 1    |     |
| 74   | 574510001 | DECAL          |        | 2    |     |

**A** M125-97FH  
SEAT

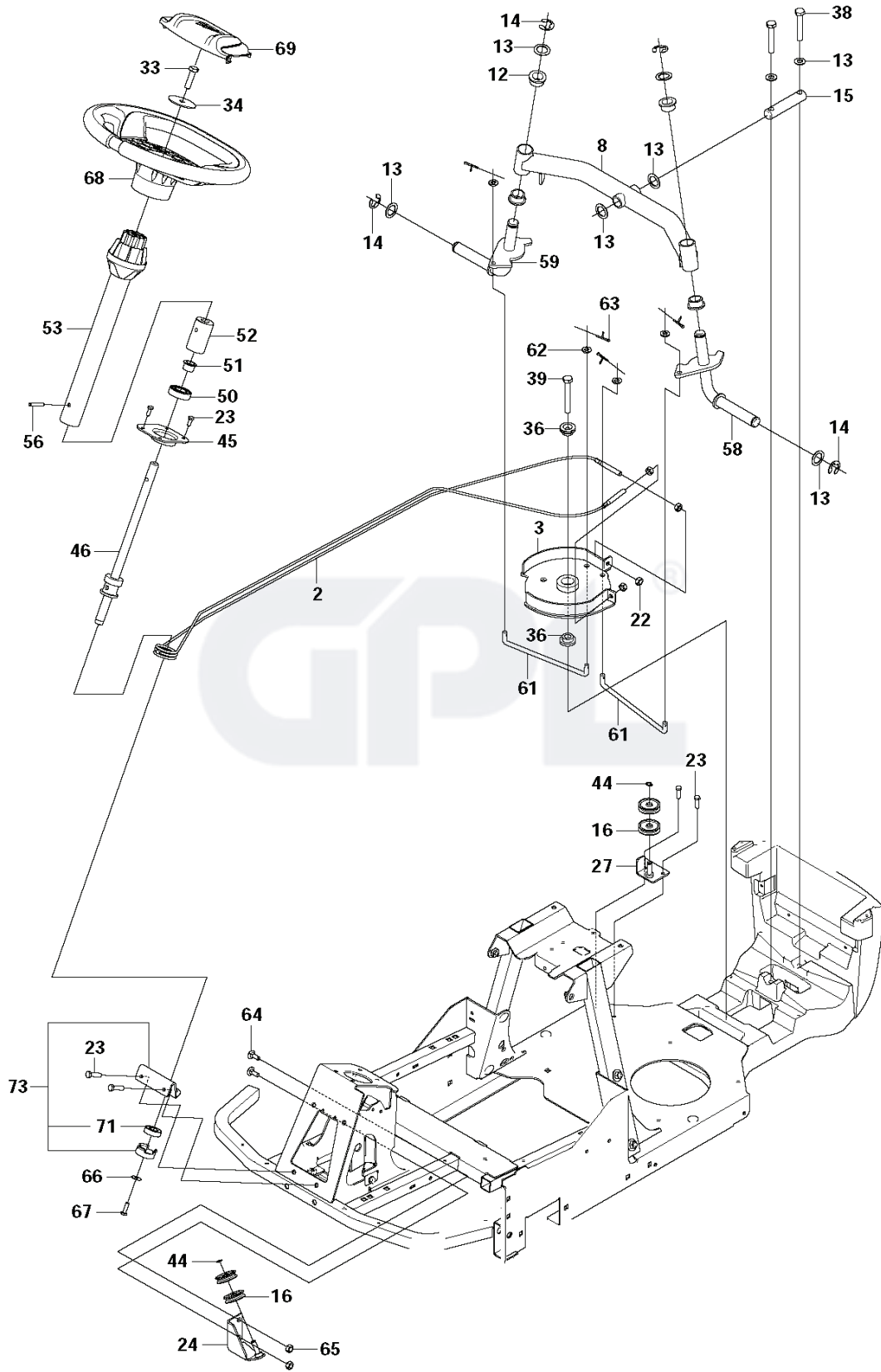


---

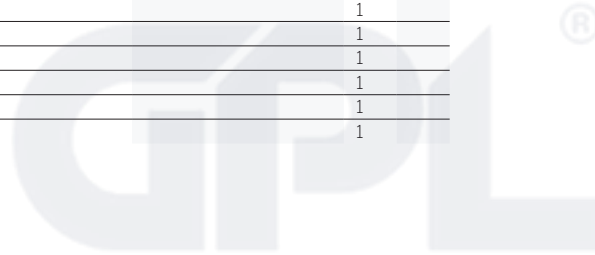
| REF. | PART NO.  | DESCRIPTION  | REMARK | QTY. | KIT |
|------|-----------|--------------|--------|------|-----|
| 2    | 576376401 | SEAT         |        | 1    |     |
| 4    | 575838901 | ASSEMBLY KIT |        | 4    |     |
| 5    | 577865801 | SHEET        |        | 1    |     |
| 6    | 525486701 | BELT GUIDE   |        | 1    |     |
| 7    | 725236461 | SCREW EHHFT  |        | 1    |     |
| 8    | 506597401 | SCREW EHHFM  |        | 2    |     |
| 9    | 575838901 | ASSEMBLY KIT |        | 4    |     |

GPL®

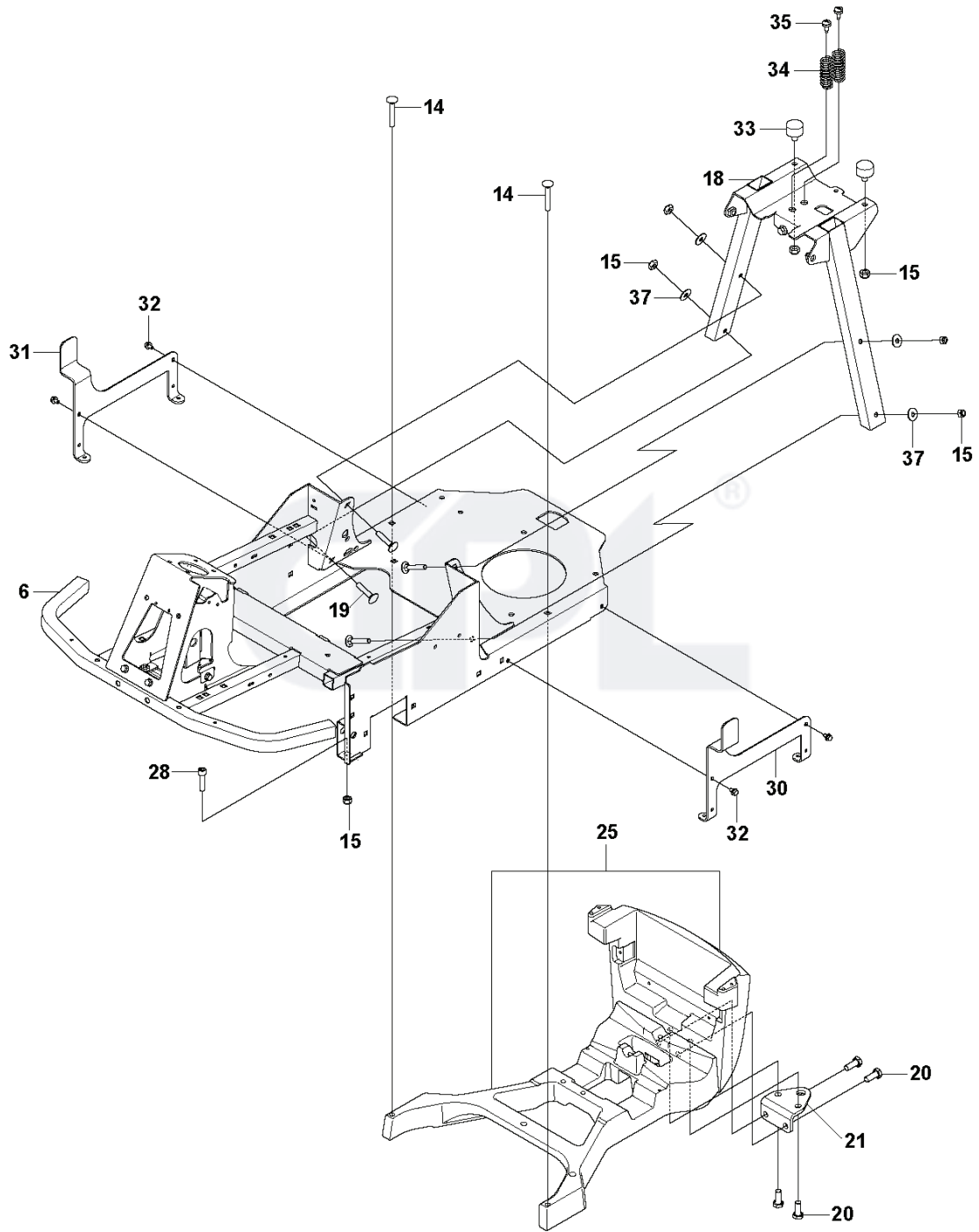
**F** M125-97FH  
STEERING



| REF. | PART NO.  | DESCRIPTION          | REMARK | QTY. | KIT |
|------|-----------|----------------------|--------|------|-----|
| 2    | 576833001 | WIRE                 |        | 1    |     |
| 3    | 576833701 | BRACKET              |        | 1    |     |
| 8    | 576831901 | REAR AXLE            |        | 1    |     |
| 12   | 576881301 | BUSHING              |        | 4    |     |
| 13   | 506504805 | WASHER               |        | 4    |     |
| 14   | 735312220 | E-CLIP               |        | 4    |     |
| 15   | 576832301 | PIVOT PIN            |        | 1    |     |
| 16   | 575585801 | WHEEL                |        | 4    |     |
| 22   | 731231801 | HEXAGON NUT          |        | 4    |     |
| 23   | 725236461 | SCREW EHHFT          |        | 8    |     |
| 24   | 576881601 | BRACKET              |        | 1    |     |
| 27   | 576881701 | BRACKET              |        | 1    |     |
| 33   | 725249751 | SCREW                |        | 1    |     |
| 34   | 574379201 | WASHER               |        | 1    |     |
| 36   | 574874103 | WASHER               |        | 2    |     |
| 38   | 506675402 | SCREW EHHFM          |        | 2    |     |
| 39   | 725250271 | SCREW EHHM           |        | 1    |     |
| 44   | 735311000 | CIRCLIP              |        | 2    |     |
| 45   | 522422302 | BRACKET              |        | 1    |     |
| 46   | 578969301 | STEERING ROD         |        | 1    |     |
| 50   | 738210404 | BALL BEARING         |        | 1    |     |
| 51   | 506887801 | SPACER               |        | 1    |     |
| 52   | 579161101 | SLEEVE               |        | 1    |     |
| 53   | 525398002 | STEERING SYSTEM      |        | 1    |     |
| 56   | 575838901 | ASSEMBLY KIT         |        | 1    |     |
| 58   | 576832401 | SPINDLE              |        | 1    |     |
| 59   | 576832501 | SPINDLE              |        | 1    |     |
| 61   | 576832901 | TIE ROD              |        | 2    |     |
| 62   | 734116401 | WASHER               |        | 6    |     |
| 63   | 721618301 | SPLIT PIN            |        | 4    |     |
| 64   | 727644951 | SCREW RSQM           |        | 2    |     |
| 65   | 732211801 | LOCK NUT             |        | 2    |     |
| 66   | 734115441 | WASHER               |        | 1    |     |
| 67   | 535475212 | SCREW EHHFM          |        | 1    |     |
| 68   | 532442804 | STEERING WHEEL       |        | 1    |     |
| 69   | 532447759 | CAP                  |        | 1    |     |
| 71   | 738210204 | BALL BEARING         |        | 1    |     |
| 73   | 578189401 | BEARING HOUSING ASSY |        | 1    |     |



**C** M125-97FH  
CHASSIS



---

| REF. | PART NO.  | DESCRIPTION       | REMARK | QTY. | KIT |
|------|-----------|-------------------|--------|------|-----|
| 6    | 576468801 | WIRING            |        | 1    |     |
| 14   | 535423803 | SCREW RSQM        |        | 2    |     |
| 15   | 732211801 | LOCK NUT          |        | 8    |     |
| 18   | 576793201 | SEAT BRACKET ASSY |        | 1    |     |
| 19   | 727645951 | SCREW             |        | 4    |     |
| 20   | 725249751 | SCREW             |        | 4    |     |
| 21   | 577846901 | SHEET             |        | 1    |     |
| 25   | 580335701 | FRAME             |        | 1    |     |
| 28   | 725545501 | SCREW IHSCM       |        | 1    |     |
| 30   | 578042901 | BRACKET           |        | 1    |     |
| 31   | 578042902 | BRACKET           |        | 1    |     |
| 32   | 725236461 | SCREW EHHFT       |        | 4    |     |
| 33   | 579292301 | DAMPER            |        | 2    |     |
| 34   | 578340301 | SPRING            |        | 2    |     |
| 35   | 544400501 | SCREW             |        | 2    |     |
| 37   | 734116441 | WASHER            |        | 4    |     |

