

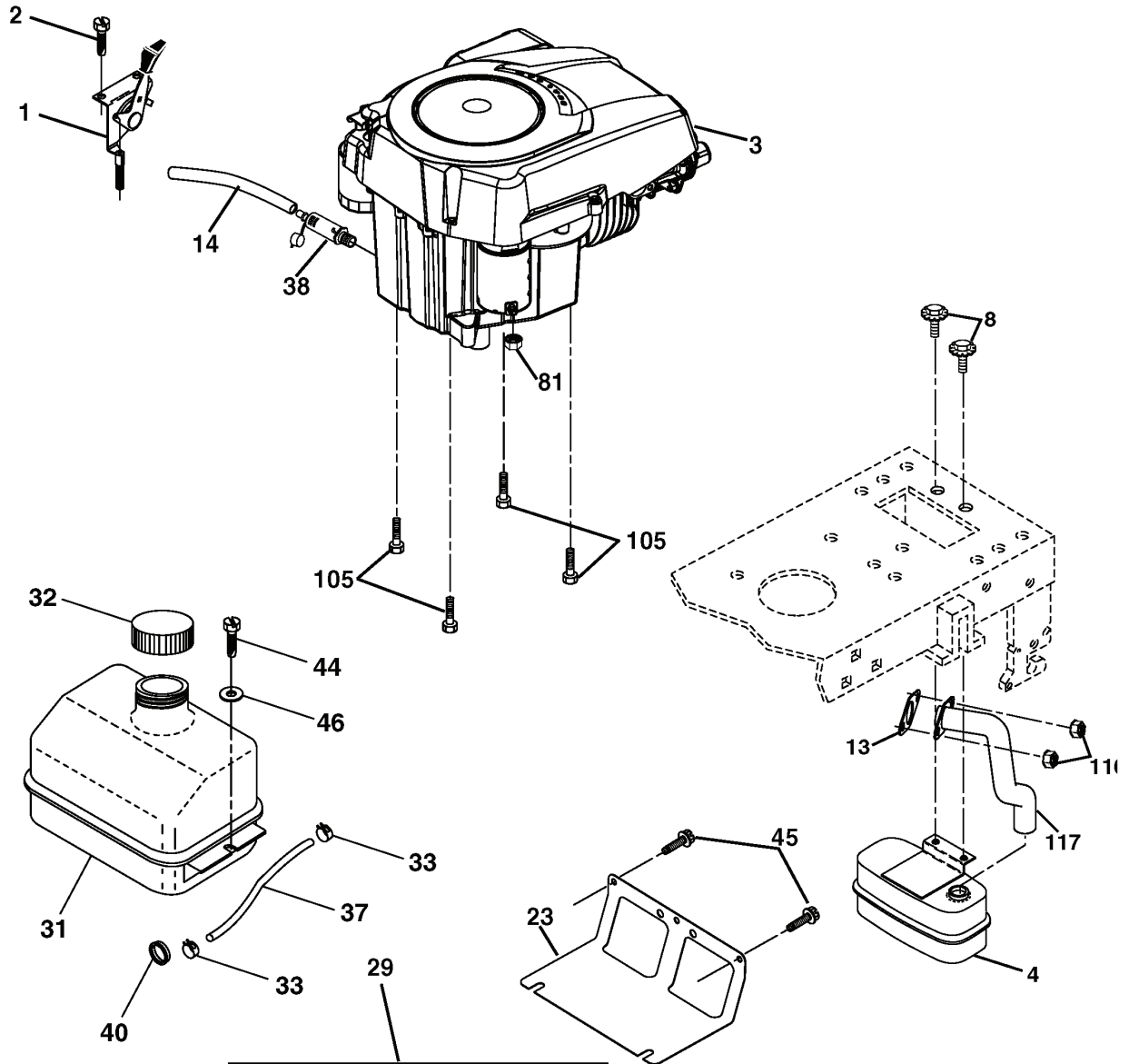
RESERVDELSKATALOG
: HUSQVARNA

Reservdelslista

RESERVDELSLISTA

REPAIR PARTS

TRACTOR - MODEL NO. LT151 (HELT151A), PRODUCT NO. 954 17 02-01
ENGINE



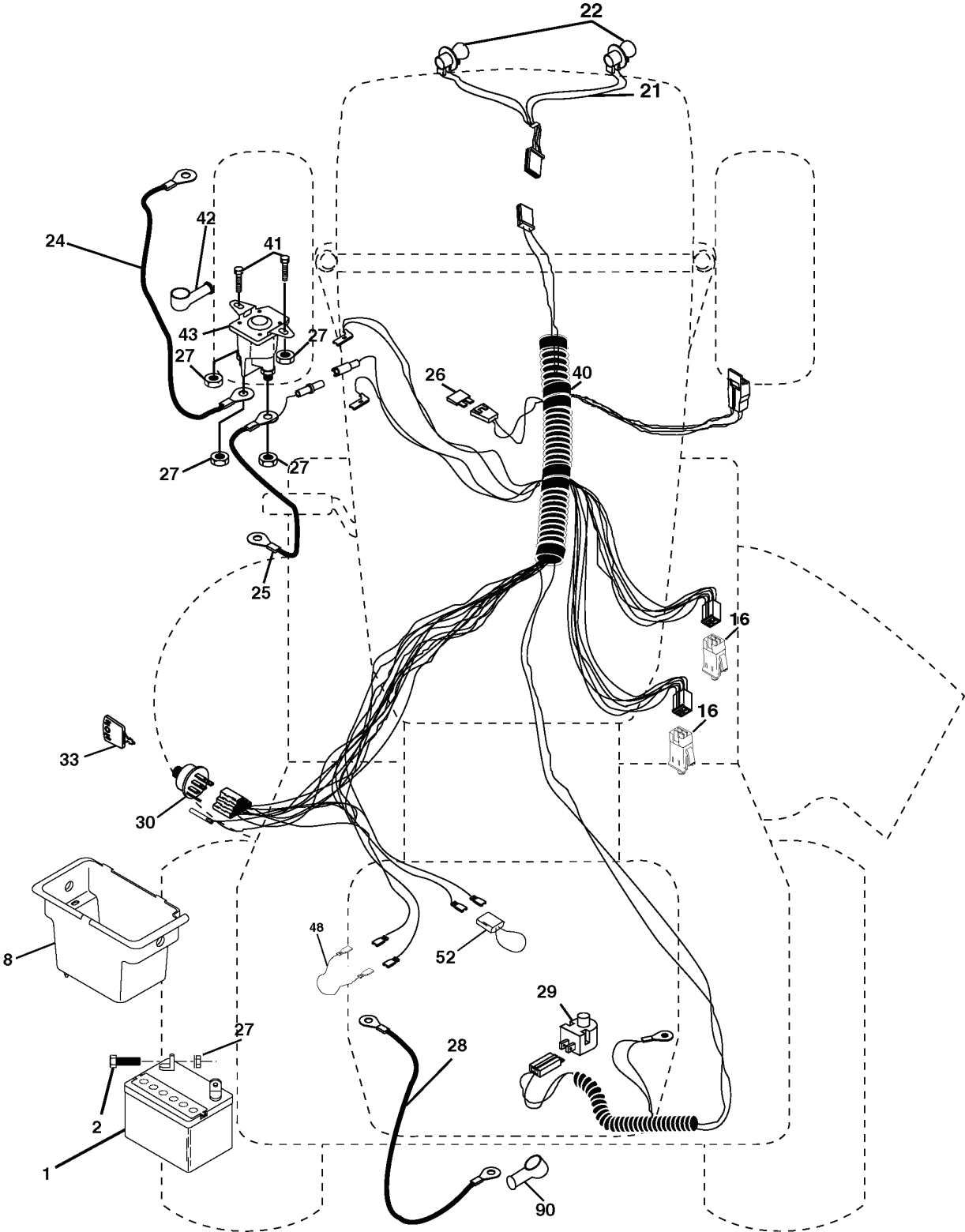
OPTIONAL EQUIPMENT
Spark Arrester

REF.	ART. NR	ARTIKELBESKRIVNING	ANMÄRKNING	KIT
1	532170805	CONTROL THROT /CH FLAG		1
2	817720408	SCREW		1
4	532188655	LJUDDÄMPARE		1
8	532171877	BULT		1
13	532185909	PACKNING		1
14	532148456	RÖR		1
23	532169837	VÄRMESKÖLD		1
29	532137180	SPARK ARRESTER KIT		1
31	532184900	BRÄNSLETANK KPL		1
32	532140527	FUEL CAP		1
33	532123487	SLANGKLÄMMA		1
37	532137040	SLANG		1
38	532181654	PLUGG		1
40	532124028	BUSHING		1
44	817670412	SCREW		1
45	817000612	SCREW		1
46	819091416	BRICKA		1
81	873510400	MUTTER		1
105	817120616	SCREW		1
116	532184362	MUTTER		1
117	532188654	TUBE EXHAUST		1

REPAIR PARTS

TRACTOR - MODEL NO. LT151 (HELT151A), PRODUCT NO. 954 17 02-01

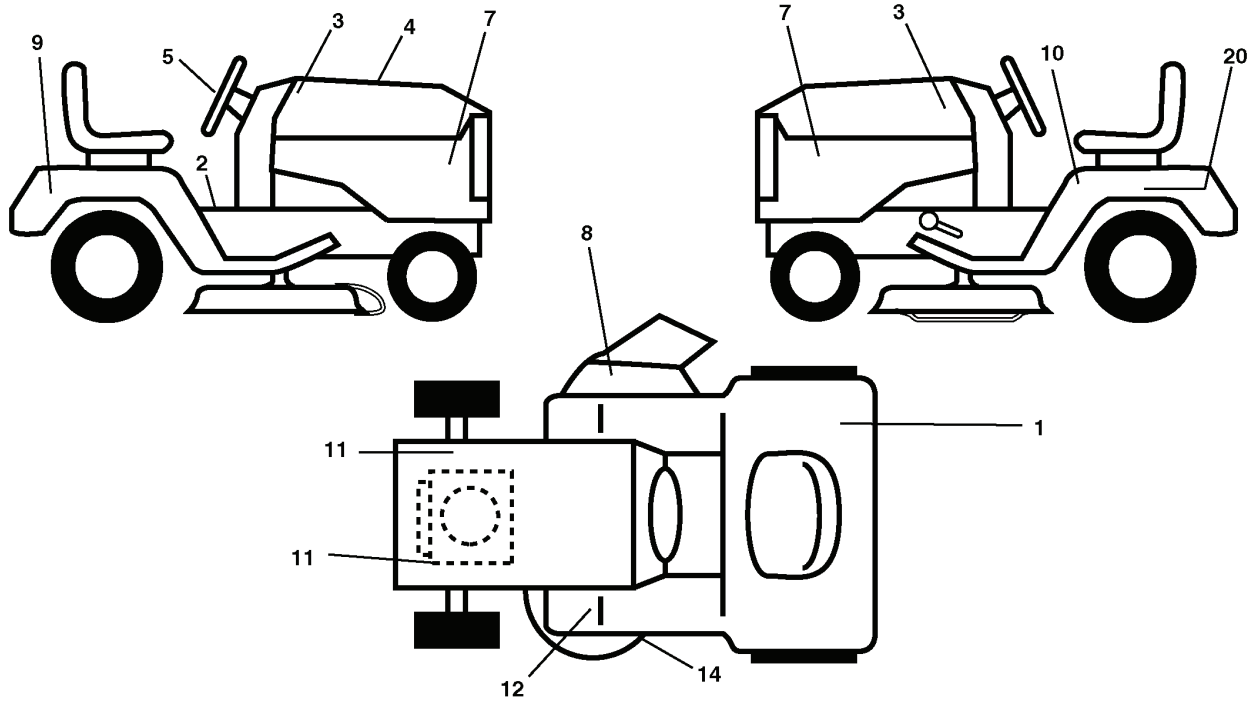
ELECTRICAL



REF.	ART. NR	ARTIKELBESKRIVNING	ANMÄRKNING	KIT
1	532144927	BATTERI		1
2	874760412	BULT		1
8	532176689	BATTERILÅDA		1
16	532176138	MIKROBRYTARE		1
21	532175688	SELE		1
22	532004152	GLÖDLAMPA		1
24	532124780	KABEL		1
25	532146147	KABEL		1
26	532175158	SÄKRING		1
27	873510400	MUTTER		1
28	532124773	KABEL		1
29	532121305	BRYTARE		1
30	532175566	BRYTARE		1
33	532140401	TANGENT		1
40	532179720	SELE		1
41	871110408	BULT		1
42	532131563	KÅPA		1
43	532178861	SOLENOID		1
48	532140844	ADAPTER		1
52	532141940	VAJER		1
90	532180449	KÅPA		1

REPAIR PARTS

TRACTOR - MODEL NO. LT151 (HELT151A), PRODUCT NO. 954 17 02-01
DECALS

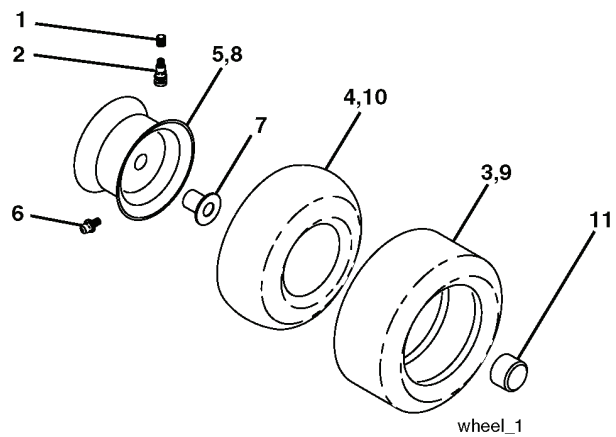


REF.	ART. NR	ARTIKELBESKRIVNING	ANMÄRKNING	KIT
1	532180432	DEKAL		1
2	532140837	DEKAL		1
3	532188923	DEKAL		1
4	532189152	DECALC.CAPOT		1
5	532188925	DEKAL		1
7	532188921	DEKAL		1
8	532182166	DEKAL		1
9	532188928	DEKAL		1
10	532145498	DEKAL		1
11	532159736	DEKAL		1
12	532159737	DEKAL		1
14	532136832	DEKAL		1
20	532145005	DEKAL		1
--	532188252	PAD, FOOTREST LH		1
--	532162598	DEKAL		1
--	532188253	PAD, FOOTREST RH		1
--	532138311	DEKAL		1
--	532188691	OPERATORS MANUAL		1
--	532188692	OPERATORS MANUAL		1

REPAIR PARTS

TRACTOR - MODEL NO. LT151 (HELT151A), PRODUCT NO. 954 17 02-01

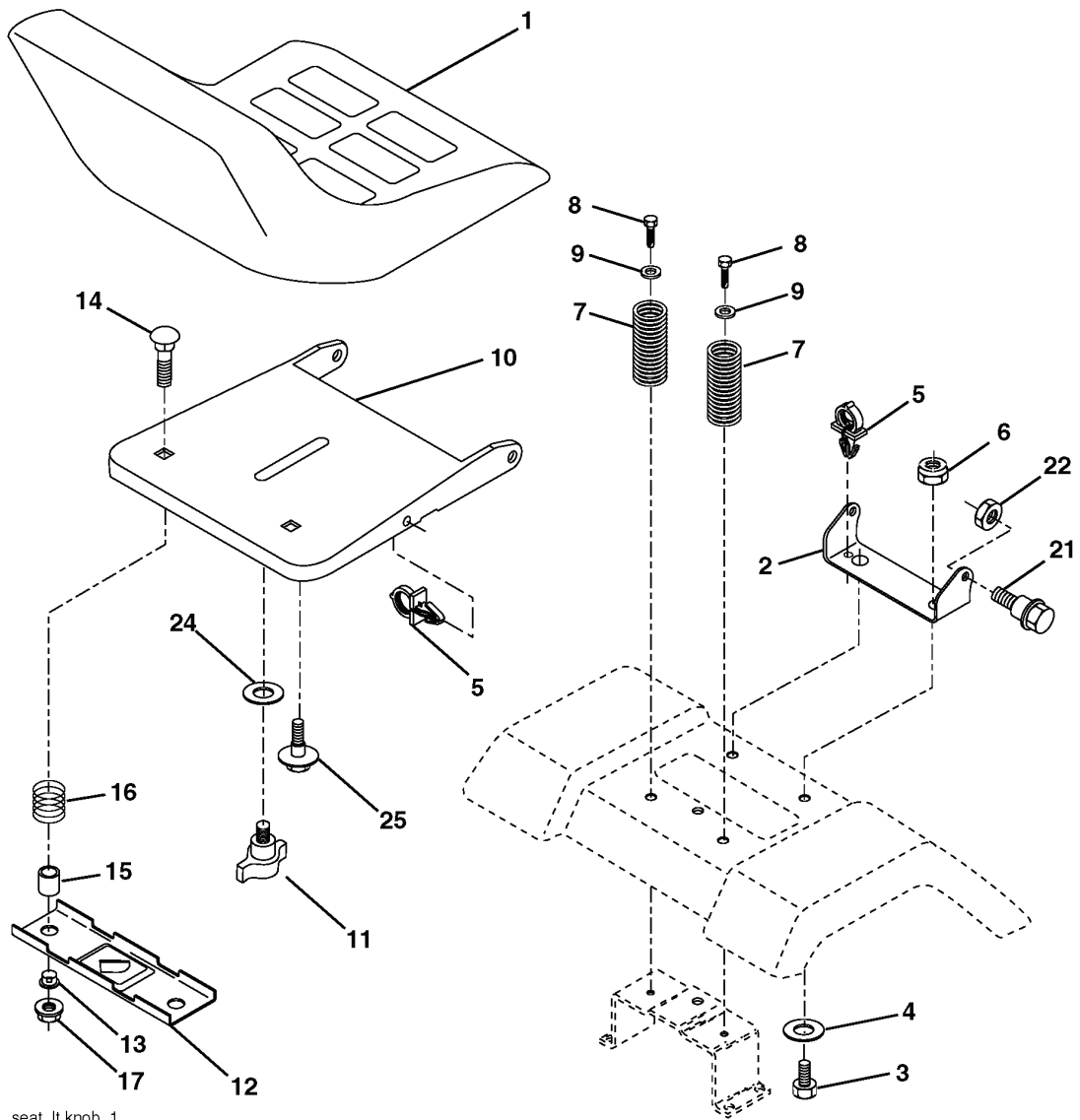
WHEELS & TIRES



REF.	ART. NR	ARTIKELBESKRIVNING	ANMÄRKNING	KIT
1	532059192	CAP VALVE		1
2	532065139	NIPPEL		1
3	532106222	DÄCK		1
4	532059904	SLANG		1
5	532138336	FÄLG		1
6	532124957	FITTING		1
7	532124959	LAGER		1
8	532138337	RINGDREV		1
9	532106268	DÄCK		1
10	532124926	SLANG		1
11	532175039	NAVKAPSEL		1
--	532144334	SEALING FOAM		1

REPAIR PARTS

TRACTOR - MODEL NO. LT151 (HELT151A), PRODUCT NO. 954 17 02-01
SEAT ASSEMBLY

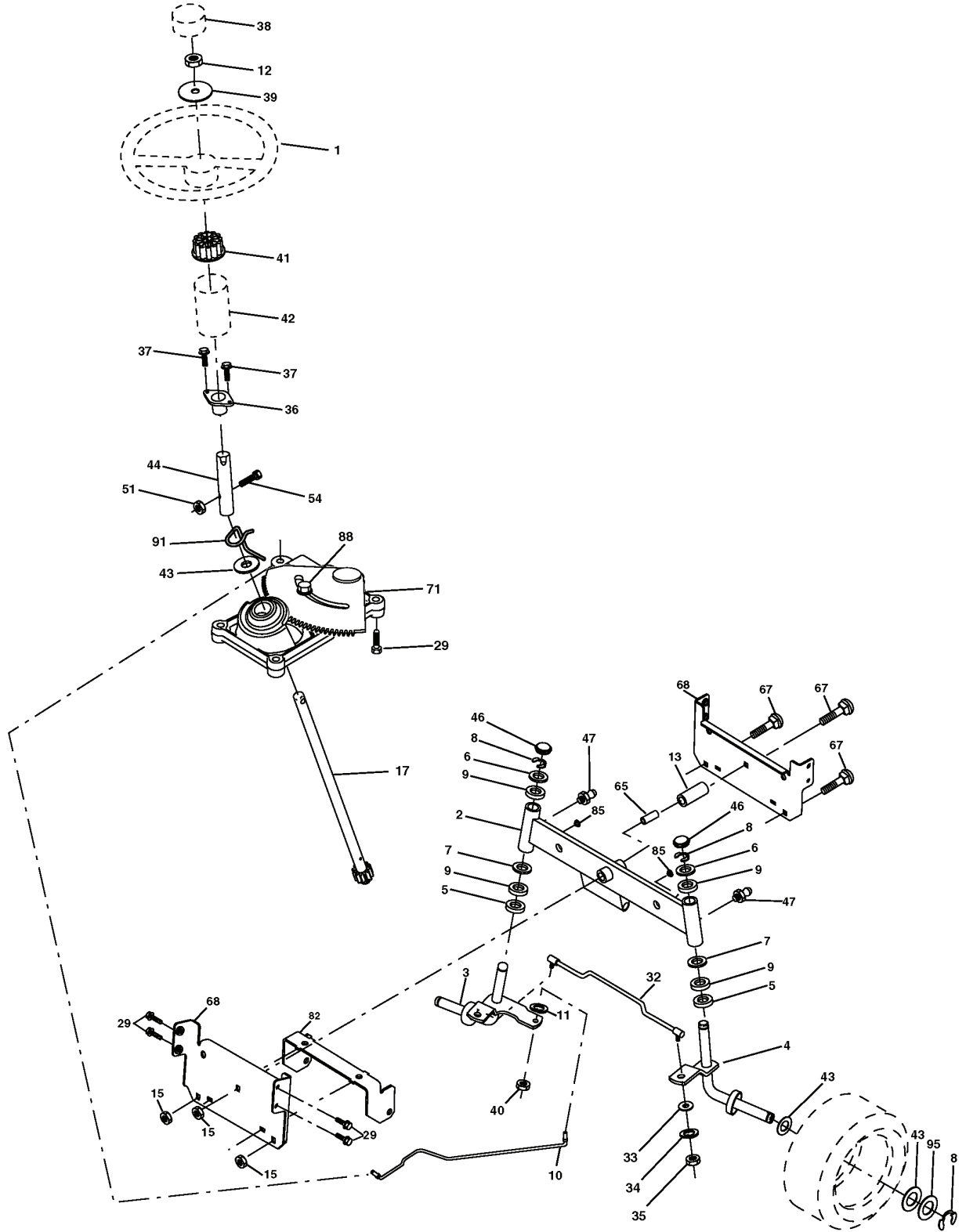


seat_lt.knob_1

REF.	ART. NR	ARTIKELBESKRIVNING	ANMÄRKNING	KIT
1	532184991	SÅTE		1
2	532140551	FÄSTE		1
3	871110616	SCREW		1
4	819131610	BRICKA		1
5	532145006	KLÄMMA		1
6	873800600	MUTTER		1
7	532124181	FJÄDER		1
8	817000616	SCREW		1
9	819131614	BRICKA		1
10	532182493	FÄSTE		1
11	532166369	VINGMUTTER		1
12	532121246	FÄSTE		1
13	532121248	BUSHING		1
14	872050412	BULT		1
15	532134300	DISTANSBRICKA		1
16	532121250	FJÄDER		1
17	532123976	LOCKNUT		1
21	532171852	BULT		1
22	873800500	LOCK NUT		1
24	819171912	BRICKA		1
25	532127018	BULT		1

REPAIR PARTS

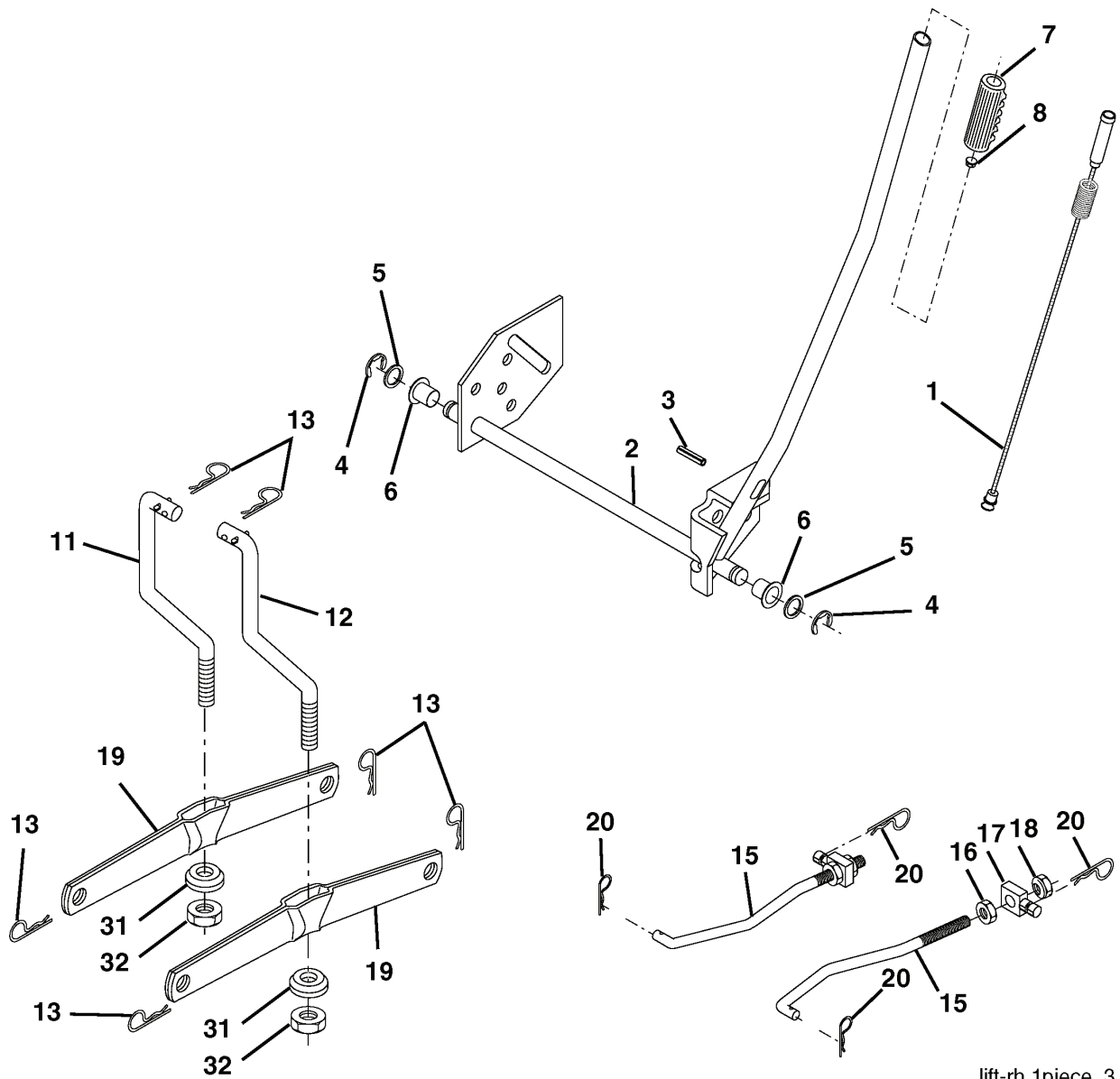
TRACTOR - MODEL NO. LT151 (HELT151A), PRODUCT NO. 954 17 02-01
STEERING ASSEMBLY



REF.	ART. NR	ARTIKELBESKRIVNING	ANMÄRKNING	KIT
1	532185437	RATT		1
2	532175131	AXEL		1
3	532169840	SPINDEL		1
4	532169839	SPINDEL		1
5	532124931	BRICKA		1
6	532121748	BRICKA		1
7	819272016	BRICKA		1
8	812000029	FLÄNSRING		1
9	532124937	BEARING COL. STRG.		1
10	532175121	STÅNG		1
11	810040600	BRICKA		1
12	873940800	MUTTER		1
13	532136518	RÖR		1
15	532145212	MUTTER		1
17	532180641	AXEL		1
29	817000612	SCREW		1
32	532171888	STÅNG		1
33	819111216	BRICKA		1
34	810040500	BRICKA		1
35	873540500	MUTTER		1
36	532155099	BUSHING		1
37	532152927	SCREW		1
38	532166626	INSATS		1
39	819182411	BRICKA		1
40	873540600	MUTTER		1
41	532159945	ADAPTER		1
42	532169634	HYLSA		1
43	532121749	BRICKA		1
44	532180640	AXEL		1
46	532121232	NAVKAPSEL		1
47	532183226	FITTING		1
51	873540400	MUTTER		1
54	871130420	BULT		1
65	532160367	DISTANSBRICKA		1
67	872110618	BULT		1
68	532169827	AXEL		1
71	532175146	STEERING GEAR		1
82	532169835	FÄSTE		1
85	532133835	XMAS TREE FASTNER		1
88	532175118	BULT		1
91	532175553	FJÄDER		1
95	532188967	BRICKA		1

REPAIR PARTS

TRACTOR - MODEL NO. LT151 (HELT151A), PRODUCT NO. 954 17 02-01
MOWER LIFT

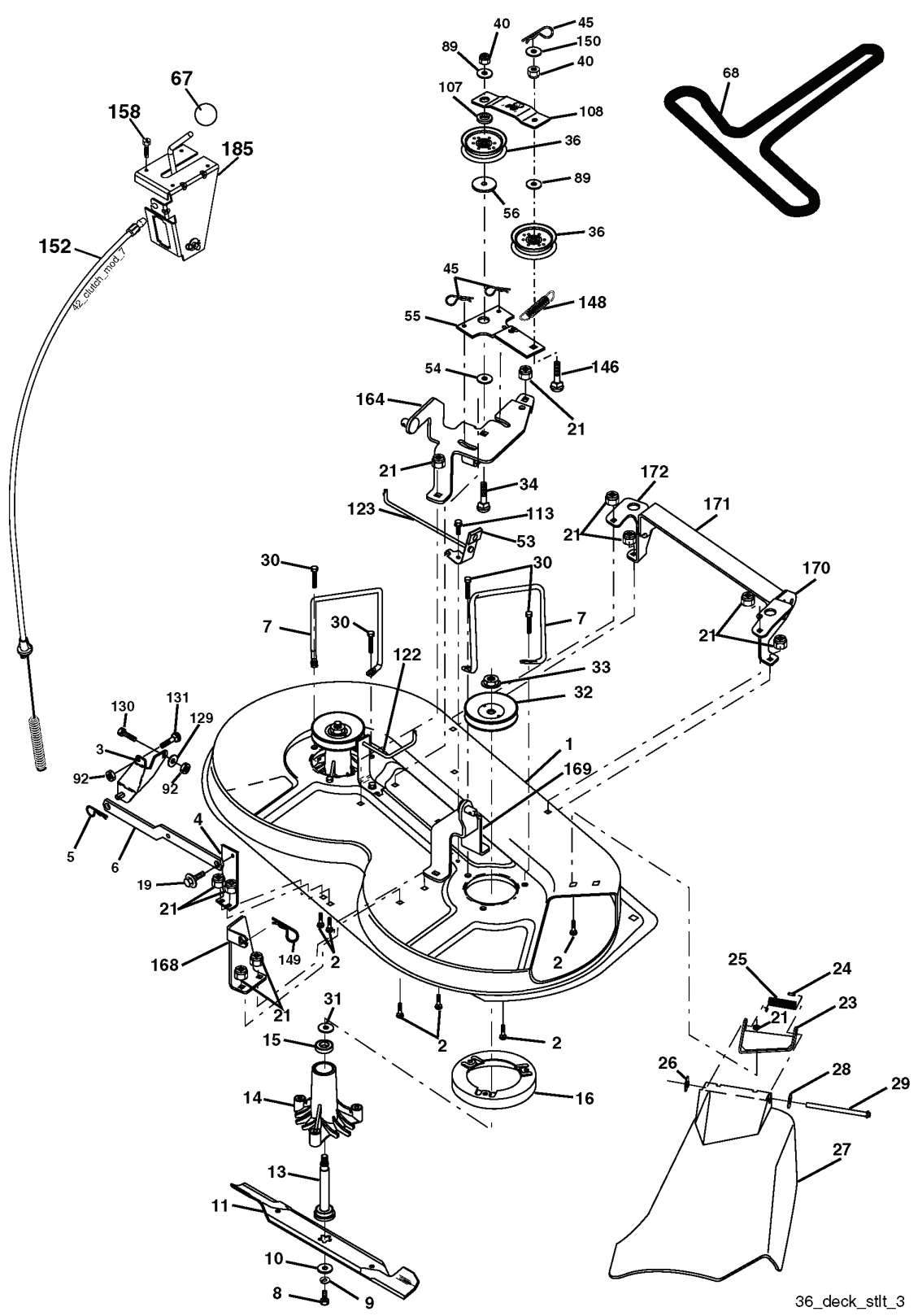


lift-rh.1piece_3

REF.	ART. NR	ARTIKELBESKRIVNING	ANMÄRKNING	KIT
1	532159460	VAJER		1
2	532159471	HÄVARM		1
3	532105767	PIN RETAINING SCREW		1
4	812000002	FLÄNSRING		1
5	819211621	BRICKA		1
6	532120183	LAGER		1
7	532109413	GREPP		1
8	532124526	KNOPP		1
11	532139865	LÄNK		1
12	532139866	LÄNK		1
13	532124670	FLÄNSRING		1
15	532173288	LÄNK		1
16	873350800	MUTTER		1
17	532175689	FÄSTE		1
18	873800800	MUTTER		1
19	532139868	HÄVARM		1
20	532163552	KLÄMMA		1
31	532169865	LAGER		1
32	873540600	MUTTER		1

REPAIR PARTS

TRACTOR - MODEL NO. LT151 (HELT151A), PRODUCT NO. 954 17 02-01
MOWER DECK

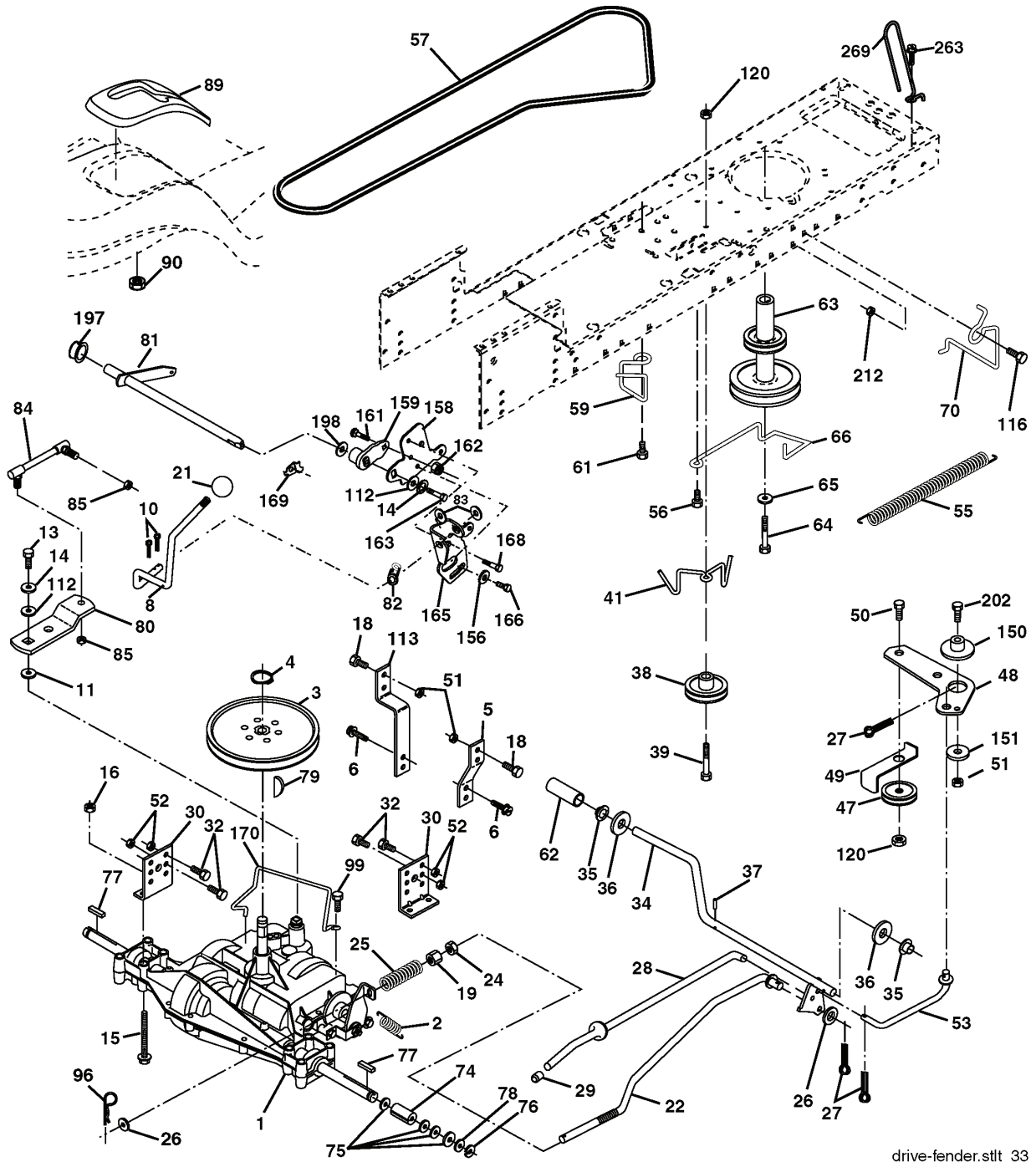


36_deck_stlt_3

REF.	ART. NR	ARTIKELBESKRIVNING	ANMÄRKNING	KIT
1	532174595	MOWER DECK ASSY		1
2	872140506	BULT		1
3	532138017	BRACKE		1
4	532175654	FÄSTE		1
5	532124670	FLÄNSRING		1
6	532178024	HÄVARM		1
7	532140608	HÅLLARE		1
8	532850857	BULT		1
9	810030600	BRICKA		1
10	532140296	BRICKA		1
11	532138496	RIDE ON BLADE		1
13	532137645	AXEL		1
14	532128774	LAGERHUS		1
15	532110485	LAGER		1
16	532174493	STRIPPER. MANDREL.BLACK		1
19	532132827	SPEC. BOLT		1
21	873680500	MUTTER		1
23	532136631	FÄSTE		1
24	532105304	NAVKAPSEL		1
25	532123713	FJÄDER		1
26	532110452	MUTTER		1
27	532176162	SKÄRM		1
28	819111016	BRICKA		1
29	532121980	STÅNG		1
30	532173984	SCREW		1
31	532187690	BRICKA		1
32	532153531	REMSKIVA		1
33	532178342	MUTTER		1
34	872110614	BULT		1
36	532131494	REMSKIVA		1
40	873680600	MUTTER		1
45	532124788	FLÄNSRING		1
53	532130840	BROMSARM		1
54	532178515	BRICKA		1
55	532133840	HÄVARM		1
56	532165723	DISTANSBRICKA		1
67	532106932	KNOPP		1
68	532180213	REM		1
89	819131311	BRICKA		1
92	873800600	MUTTER		1
107	532133502	DISTANSBRICKA		1
108	532133503	HÄVARM		1
113	817490508	SCREW		1
122	532174505	STÅNG		1
123	532174504	STÅNG		1
129	819131312	BRICKA		1
130	874780616	BULT		1
131	872140608	BULT		1
146	532165891	BULT		1
148	532169022	FJÄDER		1
149	532165898	FJÄDER		1
150	819091210	BRICKA		1
152	532176079	KABEL		1
158	817720408	SCREW		1
164	532174976	FÄSTE		1
168	532172377	FÄSTE		1
169	532174977	FÄSTE		1
170	532172359	FÄSTE		1
171	532165237	STÅNG		1
172	532172355	FÄSTE		1
185	532188234	KABEL		1
--	532130794	DORN		1
--	532181376	HUS		1

REPAIR PARTS

TRACTOR - MODEL NO. LT151 (HELT151A), PRODUCT NO. 954 17 02-01
DRIVE

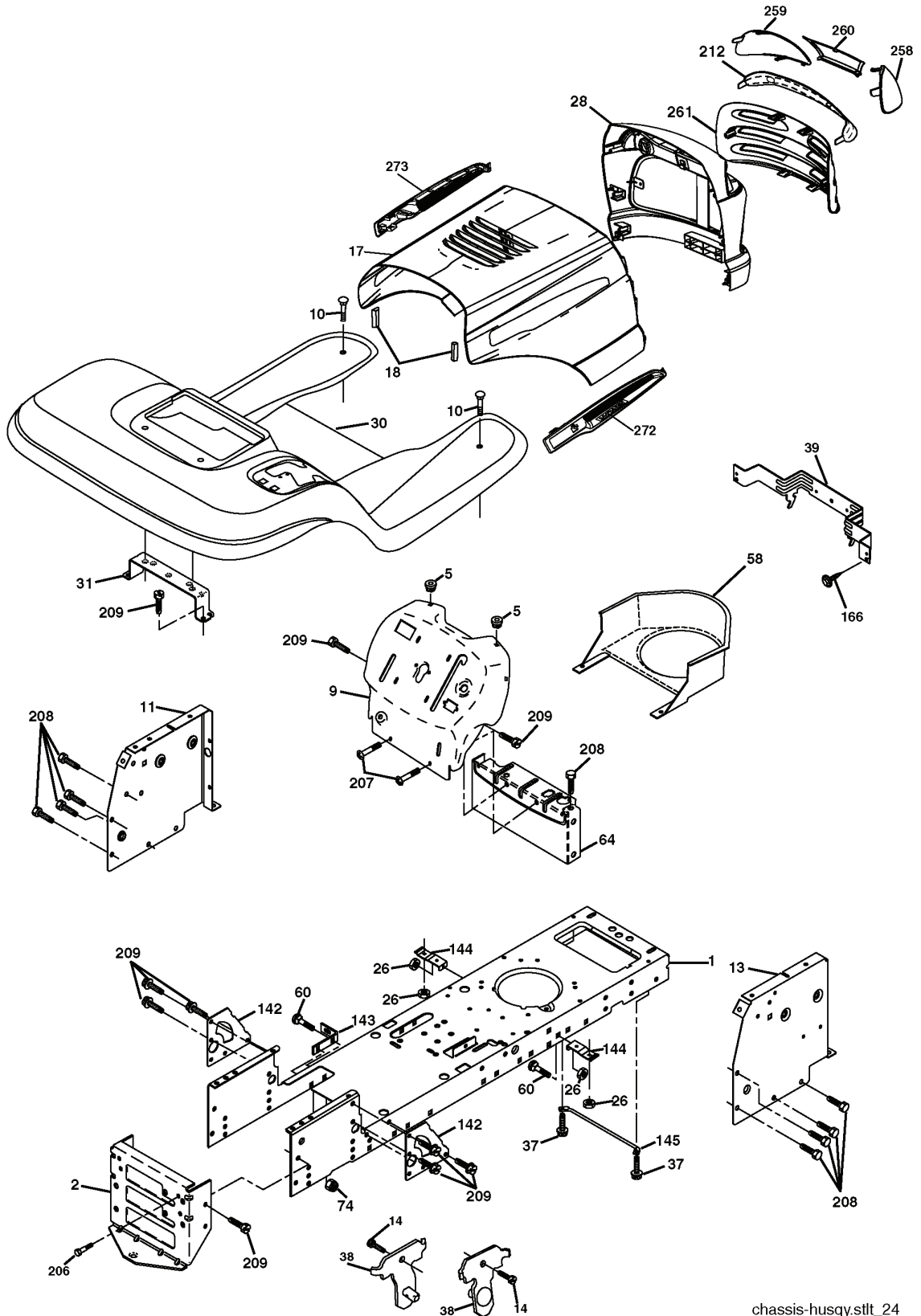


REF.	ART. NR	ARTIKELBESKRIVNING	ANMÄRKNING	KIT
2	532146682	FJÄDER		1
3	532123666	REMSKIVA		1
4	812000028	KLÄMMA		1
5	532121520	FÄSTE		1
6	817060512	SCREW		1
8	532165866	STÅNG		1
10	876020416	SPLIT PIN		1
11	532105701	BRICKA		1
13	874550412	BULT		1
14	810040400	BRICKA		1
15	874490544	SCREW		1
16	873800500	LOCK NUT		1
18	874780616	BULT		1
19	873800600	MUTTER		1
21	532121274	KNOPP		1
22	532130804	STÅNG		1
24	873350600	MUTTER		1
25	532106888	FJÄDER		1
26	819131316	BRICKA		1
27	876020412	SPLIT PIN		1
28	532175765	AXEL		1
29	532071673	KÅPA		1
30	532174973	FÄSTE		1
32	874760512	BULT		1
34	532175578	AXEL		1
35	532120183	LAGER		1
36	819211616	BRICKA		1
37	532124963	PIN RETAINING SCREW		1
38	532179114	REMSKIVA		1
39	872110622	BULT		1
41	532175556	REMSTYRARE		1
47	532127783	REMSKIVA		1
48	532154407	STYRNING		1
49	532123205	REMSTYRARE		1
50	872110612	BULT		1
51	873680600	MUTTER		1
52	873680500	MUTTER		1
53	532105710	LÄNK		1
55	532105709	FJÄDER		1
56	817060620	SCREW		1
57	532130801	KILREM		1
59	532169691	REMSTYRARE		1
61	817120614	SCREW		1
62	532124872	PEDAL RUBBER		1
63	532180219	REMSKIVA		1
64	532173937	BULT		1
65	810040700	BRICKA		1
66	532154778	SPÄNNARE		1
70	532180218	REMSTYRARE		1
74	532137057	DISTANSBRICKA		1
75	532121749	BRICKA		1
76	812000001	FLÄNSRING		1
77	532123583	TANGENT		1
78	532121748	BRICKA		1
79	532125096	WOODRUFFKIL		1
80	532131486	STÅNG		1
81	532165594	AXEL		1
82	532165711	FJÄDER		1
83	819171216	BRICKA		1
84	532166228	LÄNK		1
85	532150360	MUTTER		1
89	532166561	FÄSTE		1
90	532124346	MUTTER		1
96	532124788	FLÄNSRING		1
99	817000512	SCREW		1
112	819091210	BRICKA		1
113	532127285	FÄSTE		1
116	872140608	BULT		1
120	873900600	MUTTER		1
150	532175456	DISTANSBRICKA		1
151	819133210	BRICKA		1
156	532166002	BRICKA		1
158	532165589	FÄSTE		1
159	532183900	HÄVARM		1
161	872140406	BULT		1
162	873680400	MUTTER		1
163	874780416	BULT		1
165	532165623	FÄSTE		1

REF.	ART. NR	ARTIKELBESKRIVNING	ANMÄRKNING	KIT
166	817490510	SCREW		1
168	532165492	BULT		1
169	532165580	HÅLLARE		1
170	532178394	STYRNING		1
197	532169613	HYLSA		1
198	532169593	BRICKA		1
202	872110614	BULT		1
212	532145212	MUTTER		1
263	817000612	SCREW		1
269	532182402	PROTECTOR		1

REPAIR PARTS

TRACTOR - MODEL NO. LT151 (HELT151A), PRODUCT NO. 954 17 02-01
CHASSIS AND ENCLOSURES



REF.	ART. NR	ARTIKELBESKRIVNING	ANMÄRKNING	KIT
1	532174619	RAM		1
2	532176554	PLATTA		1
5	532155272	DAMPER		1
9	532171853	PANEL		1
10	872140608	BULT		1
11	532174996	PANEL		1
13	532181719	PANEL		1
14	817490608	SCREW		1
17	532188893	HUV		1
18	532184921	STÖTFÅNGARE		1
26	873800600	MUTTER		1
28	532183538	GRILL		1
30	532180507	STÄNKSKÄRM		1
31	532139976	FÄSTE		1
37	817490508	SCREW		1
38	532175710	FÄSTE		1
39	532174714	BRACKET PIVOT LASER LT		1
58	532187154	DUCT		1
60	872140606	BULT		1
64	532154798	PANEL		1
74	873680600	MUTTER		1
142	532175702	PLATTA		1
143	532186689	FÄSTE		1
144	532175582	FÄSTE		1
145	532156524	AXEL		1
166	532171875	SCREW		1
206	532170165	BULT		1
207	817670508	SCREW		1
208	817670608	SCREW		1
209	817000612	SCREW		1
212	532183548	INSATS		1
258	532185214	LINS		1
259	532185213	LINS		1
260	532185216	INSATS		1
261	532185212	INSATS		1
272	532188896	VENT HOOD RH		1
273	532188895	VENT HOOD LH		1
--	532005479	PLUGG		1