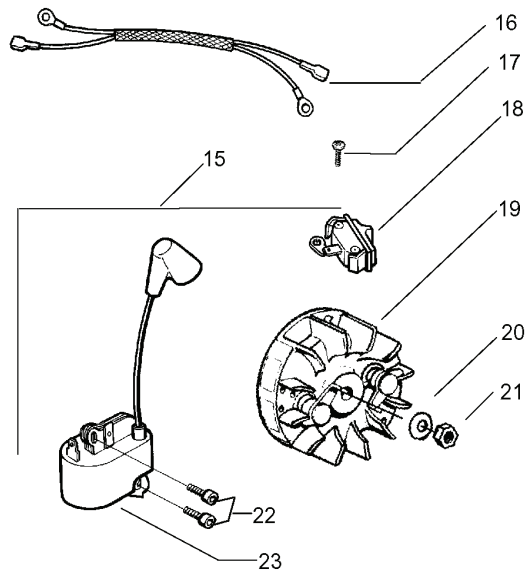


RESERVDELSKATALOG
: HUSQVARNA

Reservdelslista

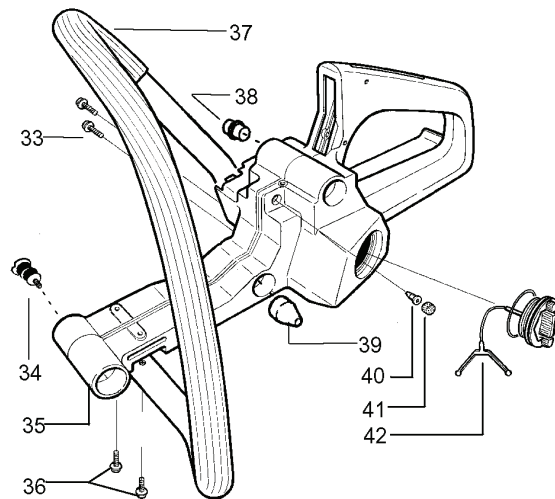
RESERVDELSLISTA

PARTS LIST NO. 530165406		Husqvarna® PARTS LIST	CHAIN SAW MODEL(s) 142 Export
DATE 4/15/08	Replaces 530165406 - 9/05/07		Note: Illustration may differ from actual model due to design changes



REF.	ART. NR	ARTIKELBESKRIVNING	ANMÄRKNING	KIT
15	530071967	TÄNDMODUL		1
16	530403257	KABEL		1
17	530015896	SCREW		1
18	503717901	STOPPKONTAKT		1
19	530059637	SVÄNGHJUL KPL		1
20	530015127	BRICKA		1
21	530016134	MUTTER		1
22	545121901	SCREW		1
23	530039239	TÄNDMODUL		1

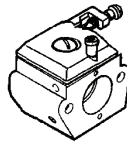
PARTS LIST NO. 530165406		Husqvarna® PARTS LIST	CHAIN SAW MODEL(s) 142 Export
DATE 4/15/08	Replaces 530165406 - 9/05/07		Note: Illustration may differ from actual model due to design changes



REF.	ART. NR	ARTIKELBESKRIVNING	ANMÄRKNING	KIT
33	530015940	SCREW		1
34	530029870	ISOLATOR		1
35	530052446	TANK		1
36	530015843	SCREW		1
37	530059961	HANDTAG		1
38	530052439	MOVEMENT LIMITER		1
39	530029984	LIMITER		1
40	530026119	VENTIL		1
41	530038264	PLUGG		1
42	530071266	FUEL CAP		1

PARTS LIST NO. 530165406		Husqvarna® PARTS LIST	CHAIN SAW MODEL(s) 142 Export
DATE 4/15/08	Replaces 530165406 - 9/05/07		Note: Illustration may differ from actual model due to design changes

Kit - Carburetor Assembly No. 530071987 - Zama W-29



Carb
Repair
Kit

1

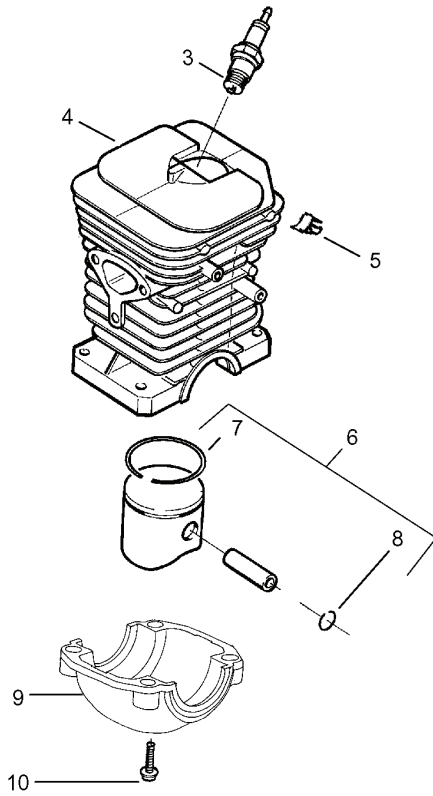
⚠ WARNING

All repairs, adjustments and maintenance not described in the Operator's Manual must be performed by qualified service personnel.

✓ = NEW PART NUMBER FOR THIS IPL ★ = REFER TO THE SERVICE REFERENCE INDICATED FOR MORE INFORMATION. (LOCATED AT END OF IPL)
● = THESE PARTS ARE ILLUSTRATED FOR CLARITY. ORDER COMPLETE ASSEMBLY.

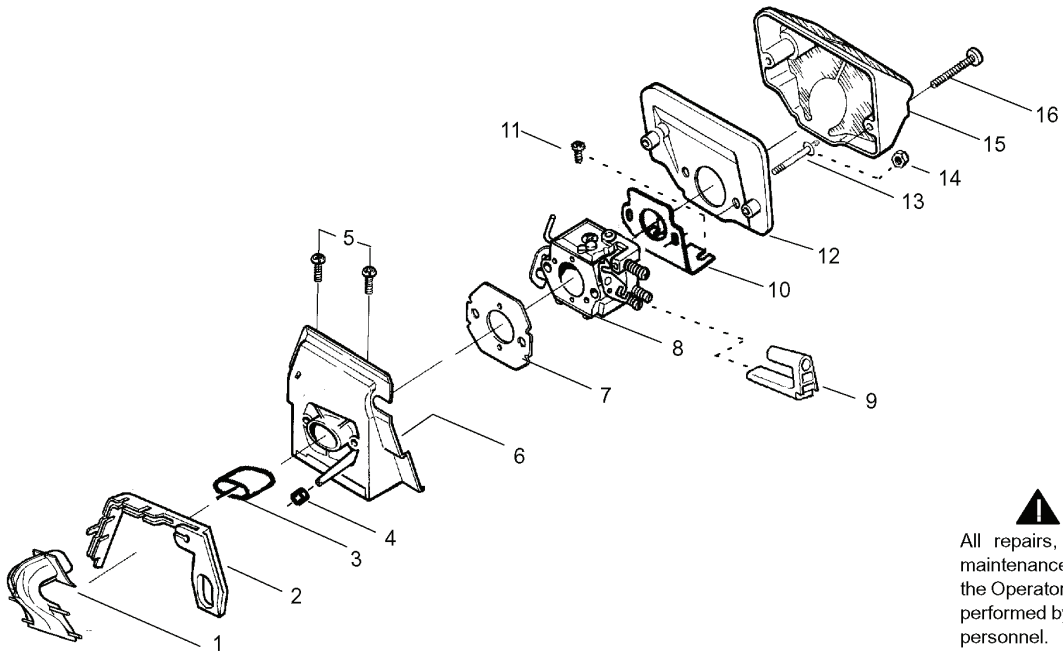
REF.	ART. NR	ARTIKELBESKRIVNING	ANMÄRKNING	KIT
1	530035269	REPARATIONSSATS		1
-	530035260	FÖRGASARE		1

PARTS LIST NO. 530165406		Husqvarna® PARTS LIST	CHAIN SAW MODEL(s) 142 Export
DATE 4/15/08	Replaces 530165406 - 9/05/07		Note: Illustration may differ from actual model due to design changes



REF.	ART. NR	ARTIKELBESKRIVNING	ANMÄRKNING	KIT
3	952030150	TÄNDSTIFT		1
4	530069941	CYLINDER		1
5	530015696	KABELKLAMMA		1
6	530069454	KOLV		1
7	530029982	KOLVRING		1
8	530015697	LOCKING RING		1
9	530049794	VEVHUS		1
10	530015897	SCREW		1

PARTS LIST NO. 530165406		Husqvarna® PARTS LIST	CHAIN SAW MODEL(S) 142 Export
DATE 4/15/08	Replaces 530165406 - 9/05/07		Note: Illustration may differ from actual model due to design changes

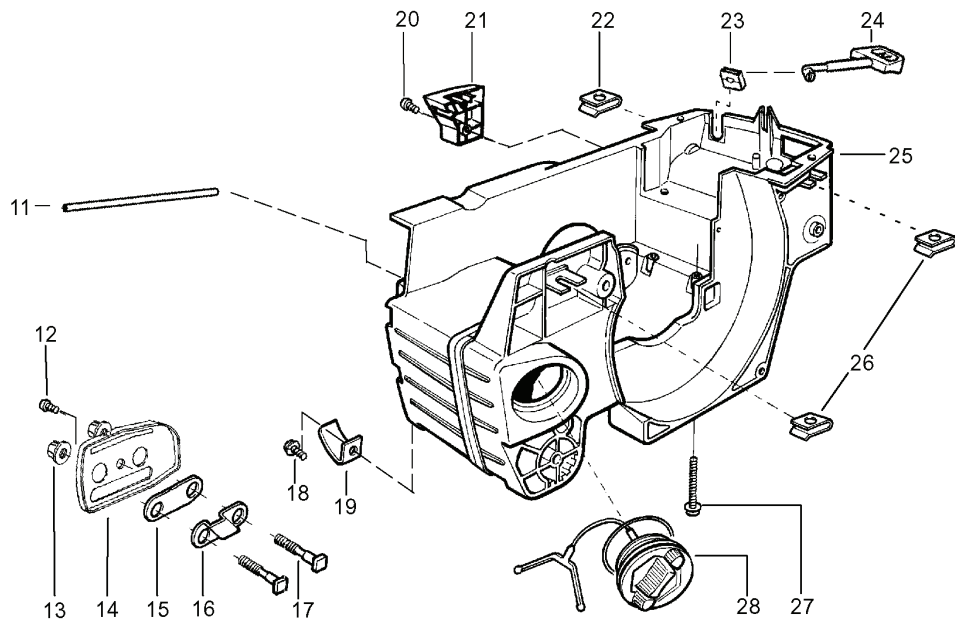


▲ WARNING

All repairs, adjustments and maintenance not described in the Operator's Manual must be performed by qualified service personnel.

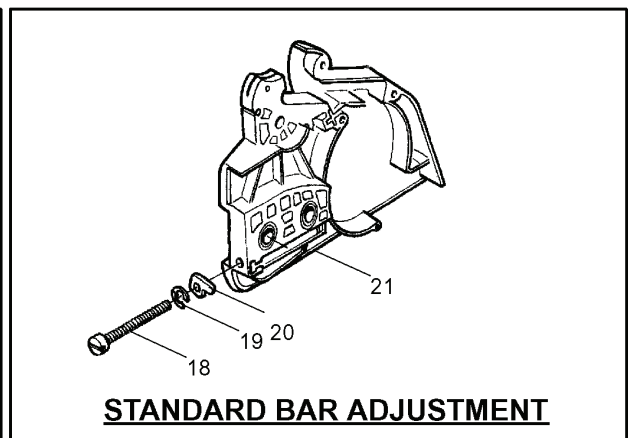
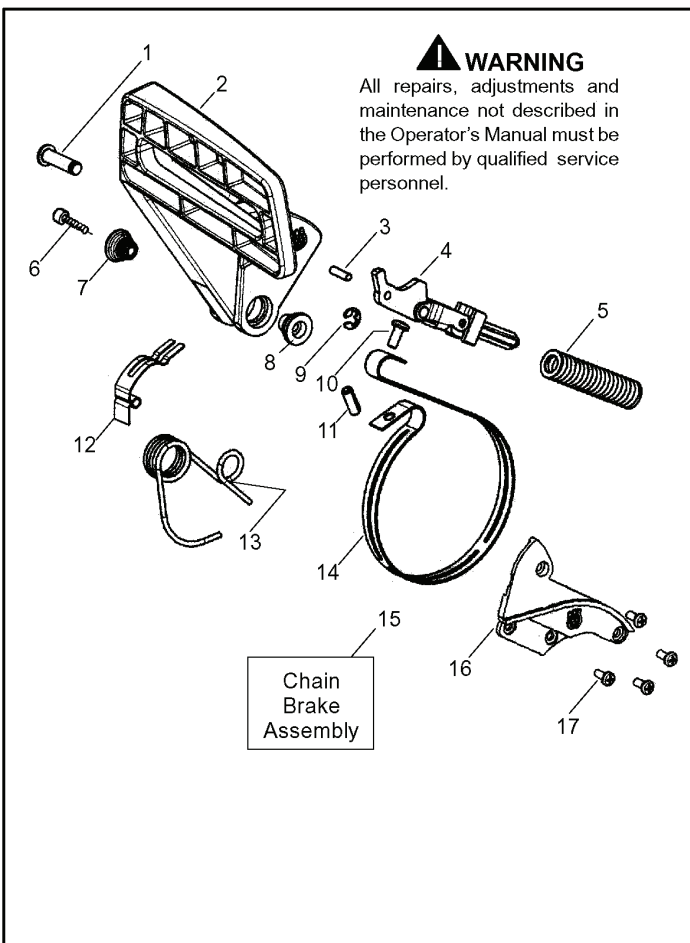
REF.	ART. NR	ARTIKELBESKRIVNING	ANMÄRKNING	KIT
1	530029813	JET		1
2	530019203	TÄTNING		1
3	530029814	RÖR		1
4	530053435	SLANG		1
5	530015814	SCREW		1
6	530037465	ADAPTER		1
7	530019172	PACKNING		1
-	530071987	FÖRGASARE		1
-	545013502	FÖRGASARE		1
9	530035587	PASSAGE		1
10	530047767	STÖD		1
11	530015896	SCREW		1
12	530036582	HÅLLARE		1
13	530015968	SCREW		1
14	530016008	MUTTER		1
15	545057801	LUFTFILTERKÅPA		1
16	530015899	SCREW		1

PARTS LIST NO. 530165406		Husqvarna® PARTS LIST	CHAIN SAW MODEL(s) 142 Export
DATE 4/15/08	Replaces 530165406 - 9/05/07		Note: Illustration may differ from actual model due to design changes



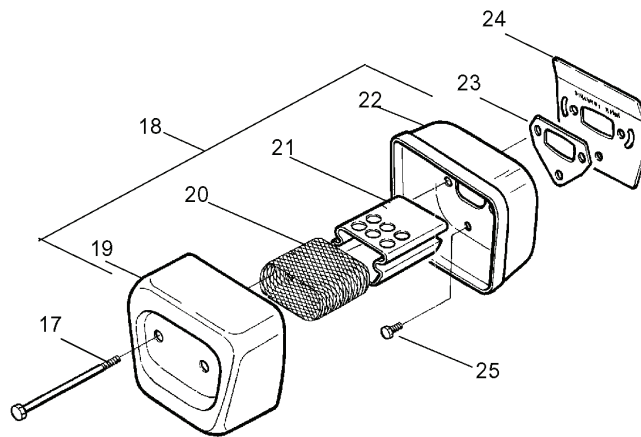
REF.	ART. NR	ARTIKELBESKRIVNING	ANMÄRKNING	KIT
11	545033501	SLANG		1
12	530015896	SCREW		1
13	530015917	MUTTER		1
14	530047855	PLATTA		1
15	530019228	TÄTNING		1
16	530036043	STÖD		1
17	530015877	BULT		1
18	530015878	SCREW		1
19	530029850	KEDJEFÅNGARE		1
20	530015893	SCREW		1
21	530052428	KÅPA		1
22	530015922	MUTTER		1
23	530029830	STYRNING		1
24	530029831	CHOKEREGGLAGE		1
25	530071991	VEVHUS		1
26	530015922	MUTTER		1
27	530016037	SCREW		1
28	501765602	TANKLOCK KPL		1

PARTS LIST NO. 530165406		Husqvarna® PARTS LIST	CHAIN SAW MODEL(s) 142 Export
DATE 4/15/08	Replaces 530165406 - 9/05/07		Note: Illustration may differ from actual model due to design changes



REF.	ART. NR	ARTIKELBESKRIVNING	ANMÄRKNING	KIT
1	530029879	SCREW		1
2	530071348	HÅVARM		1
3	530015915	SCREW		1
4	530054741	KNEE LINK		1
5	530016237	FJÄDER		1
6	530016384	SCREW		1
7	530056531	AXELTAPP		1
8	530029881	AXELTAPP		1
9	530024419	SPÅRRYTARE		1
10	530015911	SCREW		1
11	530015913	PENNOR		1
12	530029878	FJÄDER		1
13	530015910	FJÄDER		1
14	530052232	BROMSBAND		1
-	530054802	KEDJEBROMS KPL		1
16	530053035	KÅPA		1
17	530015911	SCREW		1
18	530016110	SCREW		1
19	530038593	HÅLLARE		1
20	530015826	PENNOR		1
-	530049483	KOPPLINGSKÅPA		1
-	530031135	SKIFTNYCKEL		1
-	530047839	DEKAL		1
-	545003026	DEKAL		1

PARTS LIST NO. 530165406		Husqvarna® PARTS LIST	CHAIN SAW MODEL(s) 142 Export
DATE 4/15/08	Replaces 530165406 - 9/05/07		Note: Illustration may differ from actual model due to design changes

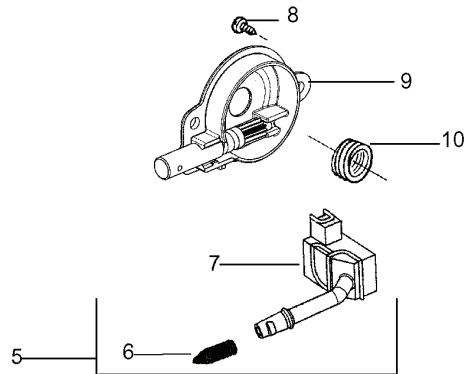
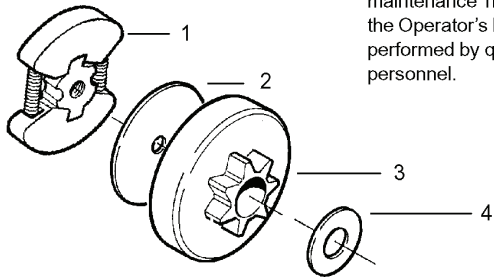


REF.	ART. NR	ARTIKELBESKRIVNING	ANMÄRKNING	KIT
17	530016044	BULT		1
18	530069415	LJUDDÄMPARE		1
19	530037254	LJUDDÄMPARE		1
20	530029810	NÄT		1
21	530037246	FLAME PROTECTION		1
22	530037251	LJUDDÄMPARE		1
23	530019205	PACKNING		1
24	530037640	PLATTA		1
25	530015902	SCREW		1

PARTS LIST NO. 530165406		Husqvarna® PARTS LIST	CHAIN SAW MODEL(s) 142 Export
DATE 4/15/08	Replaces 530165406 - 9/05/07		Note: Illustration may differ from actual model due to design changes

⚠ WARNING

All repairs, adjustments and maintenance not described in the Operator's Manual must be performed by qualified service personnel.

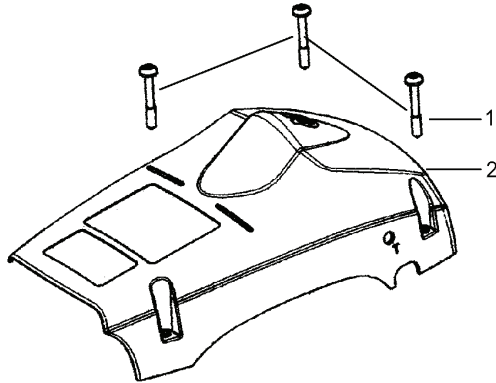


REF.	ART. NR	ARTIKELBESKRIVNING	ANMÄRKNING	KIT
1	530014949	KOPPLING		1
2	530015611	BRICKA		1
3	530047061	KOPPLINGSTRUMMA KPL		1
3	530048132	KOPPLINGSTRUMMA		1
4	530015907	BRICKA		1
5	530014776	OIL PICK-UP		1
6	530056533	NÄT		1
7	545037101	TÄTNING		1
8	530015896	SCREW		1
9	530014410	OLJEPUMP		1
10	530029833	PUMP		1

PARTS LIST NO. 530165406		Husqvarna® PARTS LIST	CHAIN SAW MODEL(s) 142 Export
DATE 4/15/08	Replaces 530165406 - 9/05/07		Note: Illustration may differ from actual model due to design changes

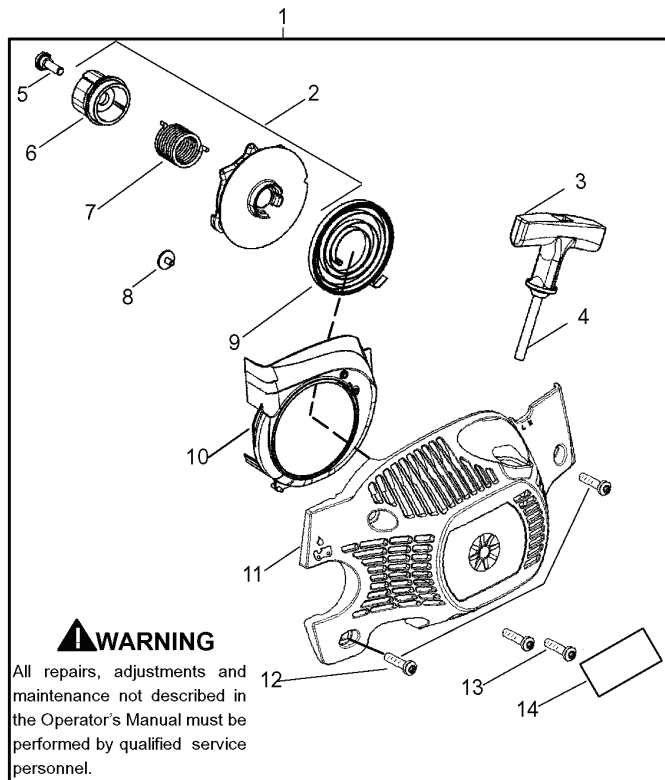
⚠ WARNING

All repairs, adjustments and maintenance not described in the Operator's Manual must be performed by qualified service personnel.



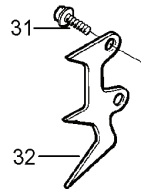
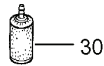
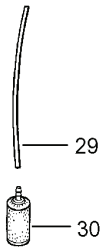
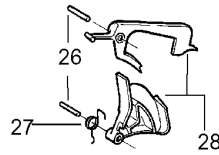
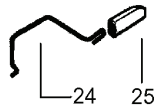
REF.	ART. NR	ARTIKELBESKRIVNING	ANMÄRKNING	KIT
1	530016154	SCREW		1
2	530059960	CYLINDERKÅPA		1

PARTS LIST NO. 530165406		Husqvarna® PARTS LIST	CHAIN SAW MODEL(s) 142 Export
DATE 4/15/08	Replaces 530165406 - 9/05/07		Note: Illustration may differ from actual model due to design changes



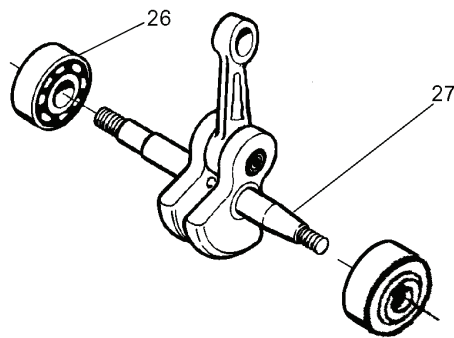
REF.	ART. NR	ARTIKELBESKRIVNING	ANMÄRKNING	KIT
1	530071968	STARTER DEVICE		1
2	530071966	LINHJUL		1
3	530150318	HANDTAG		1
4	530069232	STARTSNÖRE		1
5	530021179	SCREW		1
6	530059677	HYLSA		1
7	530021180	FJÄDER		1
8	530016080	SCREW		1
9	530042095	FJÄDER		1
10	530059959	SKYDD		1
11	530059958	STARTAPPARAT		1
12	530015893	SCREW		1
13	530015892	SCREW		1
14	545005218	DEKAL		1

PARTS LIST NO. 530165406		Husqvarna® PARTS LIST	CHAIN SAW MODEL(s) 142 Export
DATE 4/15/08	Replaces 530165406 - 9/05/07		Note: Illustration may differ from actual model due to design changes



REF.	ART. NR	ARTIKELBESKRIVNING	ANMÄRKNING	KIT
24	530029869	GASSTÅNG		1
25	530029863	NAVKAPSEL		1
26	530029860	SCREW		1
27	530029861	FJÄDER		1
28	530069587	THROTTLE TRIGGER		1
29	530069247	SLANG		1
30	530014497	FILTER		1
31	530016439	SCREW		1
32	530014381	FELLING DOG		1

PARTS LIST NO. 530165406		Husqvarna® PARTS LIST	CHAIN SAW MODEL(s) 142 Export
DATE 4/15/08	Replaces 530165406 - 9/05/07		Note: Illustration may differ from actual model due to design changes



REF.	ART. NR	ARTIKELBESKRIVNING	ANMÄRKNING	KIT
26	530056363	LAGER		1
27	530029794	VEVAXEL		1